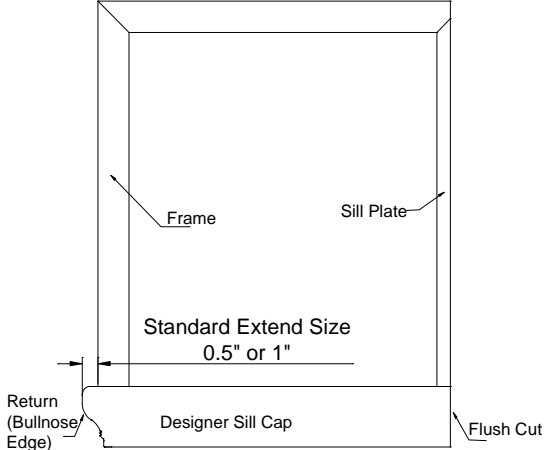
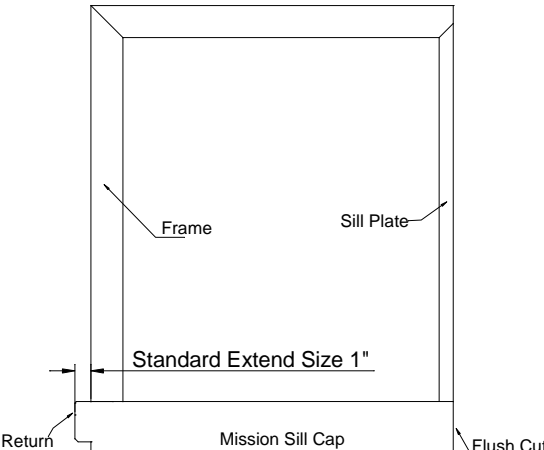


# NORMAN<sup>®</sup>

## S H U T T E R S

Woodlore Shutters

2024 Shutter Revision log

Effective Date	Topic	Section	Note
2024/02/01	<p>Stile</p> <p>Sill Cap</p>	c,e	<p>c: Update stile information.</p> <p>e: Add content and drawings.</p>  <p>Please note that by <b>DEFAULT</b>: the <b>Designer Sill Cap</b> will be flush-cut and will not have a Return (bullnose edge) on the side(s) of the shutter that has a Sill Plate at the left and/or right side(s).</p> <p>When the customer indicates the existing sill width for the Designer Sill Cap, and the custom extended sill width is less than the standard: <b><u>1/2" extend on each side</u></b> (after calculation), then the standard <b><u>1/2" extend on each side</u></b> will be used.</p>  <p>Please note that by <b>DEFAULT</b>: the <b>Mission Sill Cap</b> will be flush-cut and will not have a Return on the side(s) of the shutter that has a Sill Plate at the left and/or right side(s).</p> <p>When the customer indicates the existing sill width for the Mission Sill Cap, and the custom extended sill width is less than the standard: <b><u>1" extend on each side</u></b> (after calculation), then the standard <b><u>1" extend on each side</u></b> will be used.</p>

2024 Shutter Revision log

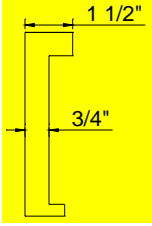
2024/02/21	Sill Cap     Café Shutter	e,k	<p>e: Change content from When the customer indicates the existing sill width for the Designer Sill Cap, and the custom extended sill width is less than the standard: <u>1/2” extend on each side</u> (after calculation), then the standard <u>1/2” extend on each side</u> will be used. When the customer indicates the existing sill width for the Mission Sill Cap, and the custom extended sill width is less than the standard: <u>1” extend on each side</u> (after calculation), then the standard <u>1” extend on each side</u> will be used. to</p> <table border="1" data-bbox="667 645 1465 1189"> <thead> <tr> <th data-bbox="667 645 746 730">Left side frame situation</th> <th data-bbox="746 645 839 730">Right side frame situation</th> <th data-bbox="839 645 1150 730">Judge extend size on each side for Designer Sill Cap &amp; Mission Sill Cap</th> <th data-bbox="1150 645 1465 730">Notes</th> </tr> </thead> <tbody> <tr> <td data-bbox="667 730 746 819">Frame</td> <td data-bbox="746 730 839 819">Frame</td> <td data-bbox="839 730 1150 819">Calculation= (Existing sill width + 0.625" x 2 - MFF width) / 2</td> <td data-bbox="1150 730 1465 819">When the customer indicates the existing sill width for the Designer Sill Cap, and the custom extended sill width is less than the standard: 1/2" extend on each side (after calculation), then the standard 1/2" extend on each side will be used.</td> </tr> <tr> <td data-bbox="667 819 746 909">Frame</td> <td data-bbox="746 819 839 909">Sill Plate</td> <td data-bbox="839 819 1150 909">Calculation= Existing sill width + 0.625" - MFF width</td> <td data-bbox="1150 819 1465 909">When the customer indicates the existing sill width for the Mission Sill Cap, and the custom extended sill width is less than the standard: 1" extend on each side (after calculation), then the standard 1" extend on each side will be used.</td> </tr> <tr> <td data-bbox="667 909 746 1122">Sill Plate</td> <td data-bbox="746 909 839 1122">Frame</td> <td data-bbox="839 909 1150 1122">Calculation= Existing sill width + 0.625" - MFF width</td> <td data-bbox="1150 909 1465 1122">Designer Sill Cap &amp; Mission Sill Cap will be flush cut on both ends.</td> </tr> <tr> <td data-bbox="667 1122 746 1189">Sill Plate</td> <td data-bbox="746 1122 839 1189">Sill Plate</td> <td data-bbox="839 1122 1150 1189">Close the Existing Sill Width field</td> <td data-bbox="1150 1122 1465 1189"></td> </tr> </tbody> </table> <p>k: Update drawing.</p>	Left side frame situation	Right side frame situation	Judge extend size on each side for Designer Sill Cap & Mission Sill Cap	Notes	Frame	Frame	Calculation= (Existing sill width + 0.625" x 2 - MFF width) / 2	When the customer indicates the existing sill width for the Designer Sill Cap, and the custom extended sill width is less than the standard: 1/2" extend on each side (after calculation), then the standard 1/2" extend on each side will be used.	Frame	Sill Plate	Calculation= Existing sill width + 0.625" - MFF width	When the customer indicates the existing sill width for the Mission Sill Cap, and the custom extended sill width is less than the standard: 1" extend on each side (after calculation), then the standard 1" extend on each side will be used.	Sill Plate	Frame	Calculation= Existing sill width + 0.625" - MFF width	Designer Sill Cap & Mission Sill Cap will be flush cut on both ends.	Sill Plate	Sill Plate	Close the Existing Sill Width field	
Left side frame situation	Right side frame situation	Judge extend size on each side for Designer Sill Cap & Mission Sill Cap	Notes																				
Frame	Frame	Calculation= (Existing sill width + 0.625" x 2 - MFF width) / 2	When the customer indicates the existing sill width for the Designer Sill Cap, and the custom extended sill width is less than the standard: 1/2" extend on each side (after calculation), then the standard 1/2" extend on each side will be used.																				
Frame	Sill Plate	Calculation= Existing sill width + 0.625" - MFF width	When the customer indicates the existing sill width for the Mission Sill Cap, and the custom extended sill width is less than the standard: 1" extend on each side (after calculation), then the standard 1" extend on each side will be used.																				
Sill Plate	Frame	Calculation= Existing sill width + 0.625" - MFF width	Designer Sill Cap & Mission Sill Cap will be flush cut on both ends.																				
Sill Plate	Sill Plate	Close the Existing Sill Width field																					
2024/03/08	Features and Benefits	a	<p>1. Update description content.</p> <p>2. Change content from A wide range of frames with inserts, which keep installation screws out of sight for a clean and decorative look, match any style and preference. to A wide selection of frames provides both the appearance and function to match your style and preference. Several of the frame options include a removable insert to keep installation screws out of sight for a clean look.</p>																				
2024/03/16	InvisibleTilt	g,j2	Change InvisibleTilt™ / Invisible Tilt to InvisibleTilt®.																				
	Horizontal T post	e	e: Add content "For Double Hung shutter with a horizontal T post, the face width of the horizontal T post defaults to 1 3/4".																				
2024/07/15 (MO date)	L Bracket 44mm	i	Add L Bracket 44mm and color coordination chart																				

2024 Shutter Revision log

2024/07/18	For bay window at 170 degree or above	e	Add content : Bay post will be used when the degrees of all bay posts in a Bay Window Shutter with both <170 degree and >= 170 degree at the same time.
2024/08/07	Stile	j2	Update description of stile.
2024/08/24	Sill cap  Magnet  Mount Options For Direct Mount            Bypass	            e, i, j2, k	<p>e: Update drawings;</p> <p>i:</p> <ol style="list-style-type: none"><li>1. Update magnet drawing;</li><li>2. Change content from<ul style="list-style-type: none"><li>● Direct mount without top and/or bottom sill option, “Light block”, “L magnet catch” and “Light block &amp; L magnet catch” options are selectable.</li><li>● “Light block”, “L magnet catch” and “Light block &amp; L magnet catch” options are applied to hang strip in one of the following situations:<ul style="list-style-type: none"><li>● 2-sided Hang strip IM without top and/or bottom sill option;</li><li>● 2-sided Hang strip OM without top and/or bottom sill option;</li><li>● 3-sided Hang strip OM without bottom sill option;</li><li>● 3-sided inverted Hang strip OM beside the panel without top sill option;</li></ul></li></ul></li></ol> <p>to</p> <ul style="list-style-type: none"><li>● A Direct Mount shutter that does not have a top and/or bottom sill option is able to use “Light Block”, “L magnet catch” or “Light block &amp; L magnet catch” options.</li><li>● “Light Block”, “L magnet catch” or “Light block &amp; L magnet catch” options can be used for Hang Strip shutters that have the following frame configurations:<ul style="list-style-type: none"><li>● 2-sided Hang strip IM that does not have a top and/or bottom sill option;</li><li>● 2-sided Hang strip OM that does not have a top and/or bottom sill option;</li><li>● 3-sided Hang strip OM that does not have a bottom sill option;</li><li>● 3-sided Inverted Hang strip OM (hang strip beside the panel) that does not have a top sill option;</li></ul></li></ul> <p>j2: Add content and drawing. Note: The boxout frame’s “Side Frame” as well as panel overlap are additional factors that will effect the individual panel width calculation. Side Frame = ¾” thickness on each side Panel overlap will be 1 1/2” for 2” stile and 1 3/4” for 2 1/4”stile;</p>



2024 Shutter Revision log

	<p>Double hung</p>		 <p>k: Add content "Bifold panel configuration (including LL/RR/LLRR) is not available for Double Hung."</p>
<p>Pending</p>	<p>Bottom Pivot Brackets</p>	<p>j1</p>	<p>Update information of Bottom Pivot Brackets.</p>

# Woodlore® Shutters

Table of Contents	Page
a. Features & Benefits	WL a-1
b. Colors & Louver Sizes/Louver Clearance	WL b-1
c. Stiles	WL c-1
d. Panel Configurations	WL d-1
e. Frame Styles	WL e-1
f. General Product Specifications	WL f-1
g. Tilt Rods	WL g-1
h. Divider Rails	WL h-1
i. Hardware	WL i-1
j. Track Shutters	WL j-1
k. Special Options	WL k-1
l. Pricing	WL l-1

# Woodlore® Shutters

## Features and Benefits

Built around the concept of modern convenience, Woodlore is made of composite wood harvested from well-managed forests and finished with a polypropylene coating that prevents moisture absorption and allows for easy stain removal. It resists cupping, warping and twisting.

Reinforced engineered stiles – Stile core durability reinforced with multiple layers of wood bonded together. The result is a robust support system for shutter panels.

UV inhibitor protects shutters and home décor from UV rays, prevents color fading and sun damage.

Woodlore's classic solid colors harmonize brilliantly with any décor. The beauty, durability and quality finish of Woodlore shutters is reasonably priced.

Multiple stile options are available in various sizes to accommodate different window configurations. Astragal or Rabbet stiles provide a natural light block between panels.

A wide range of frames with inserts, which keep installation screws out of sight for a clean and decorative look, match any style and preference.

Personalize shutters with special options. Choose from fixed louvers, hidden or offset tilt rods, café styles, bay and corner window shutters, track systems and many more.

Quick and easy on-site assembly and installation with the pre-installed magnets and hinges, pre-mitered frames and slotted keyholes.

A guarantee of Norman Shutters exemplary quality with a lifetime limited warranty on materials and workmanship.

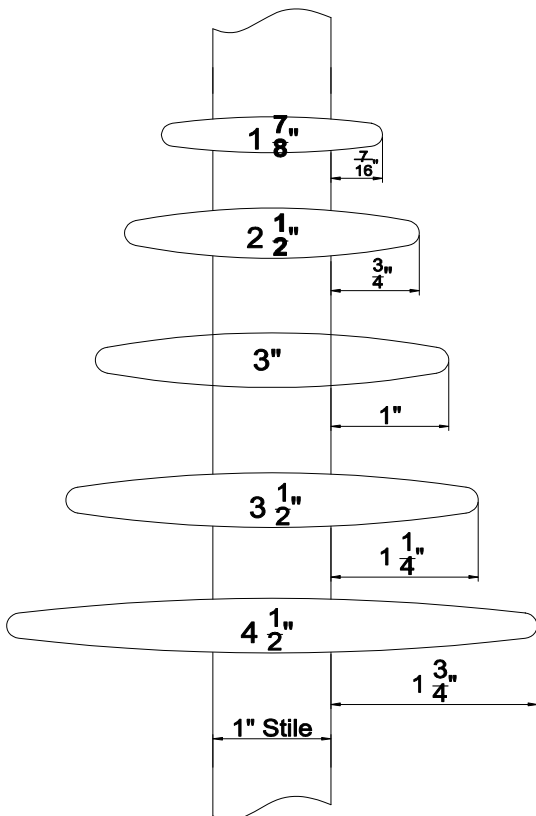
Colors & Louver Sizes/Louver Clearance

Solid Colors

No.	Color ID	Color Name
1	001	Pure White
2	002	Extra White
3	003	Silk White
4	006	Pearl
5	032	Sea Mist
6	063	Decorator's White

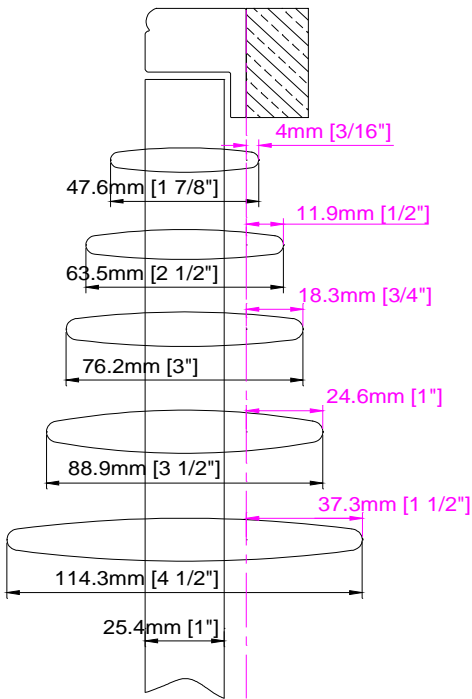
Louvers	
Elliptical	1 7/8" <sup>*</sup> 2 1/2" 3" 3 1/2" 4 1/2"

Louver Depth Clearance

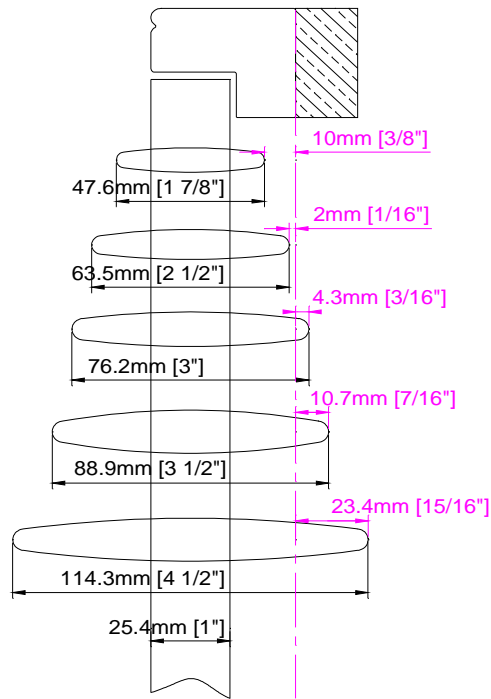


\*Some surcharges apply

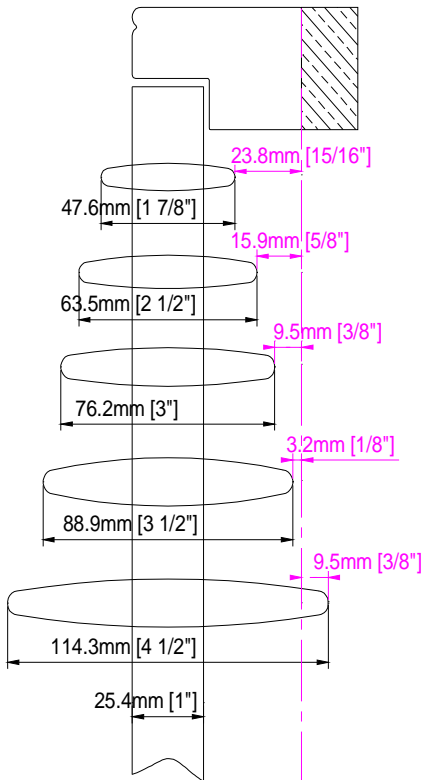
## Louver Depth Clearance For Specific Frames



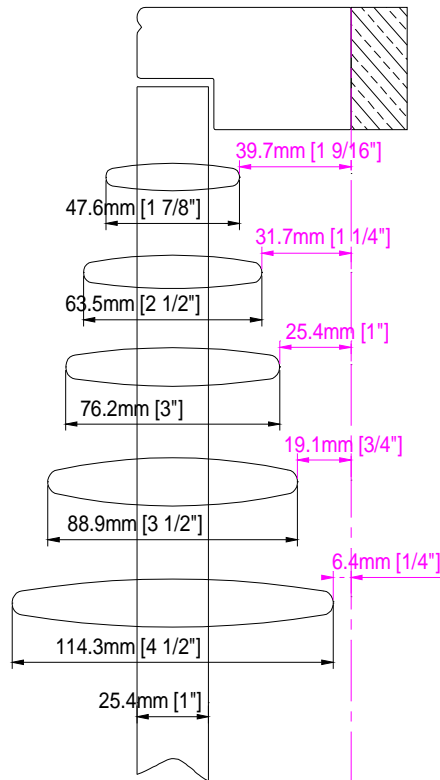
L Frame with 1/4" light block



L Frame

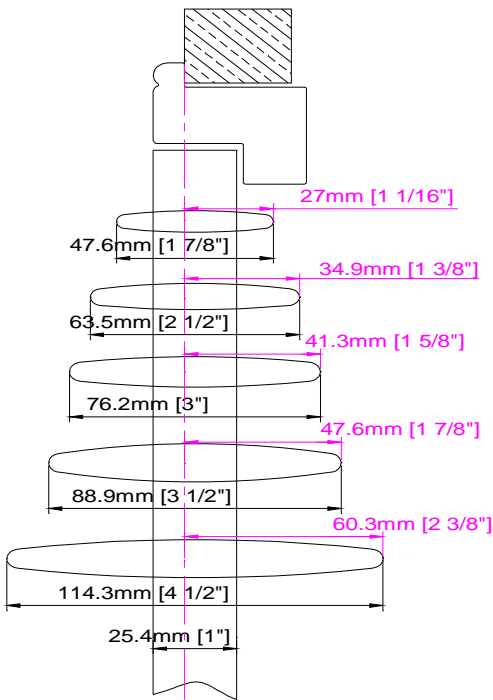


L Frame with 1/2" Buildout

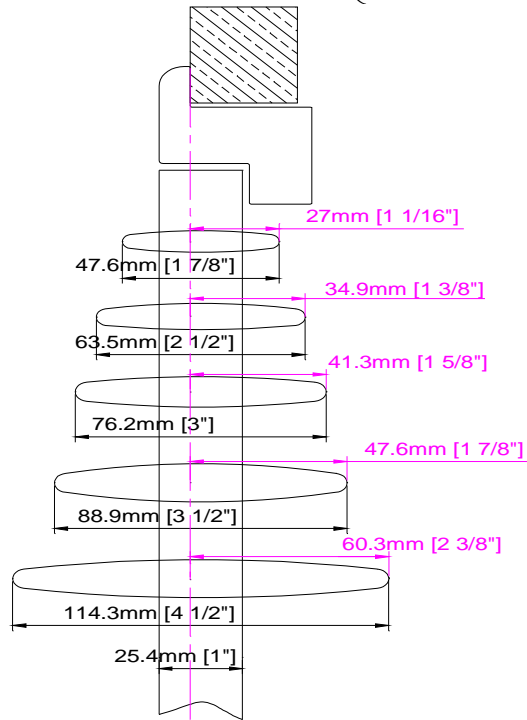


L Frame with 1" Buildout

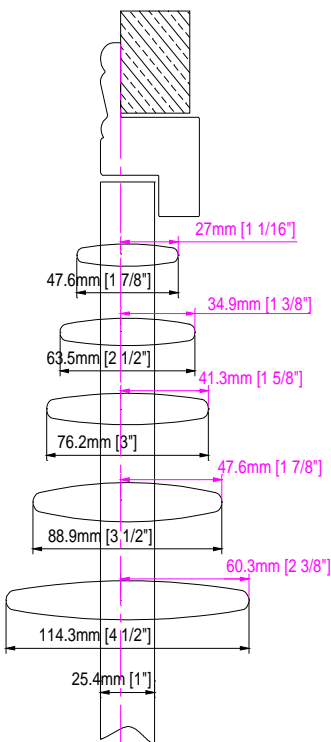
# Woodlore® Shutters



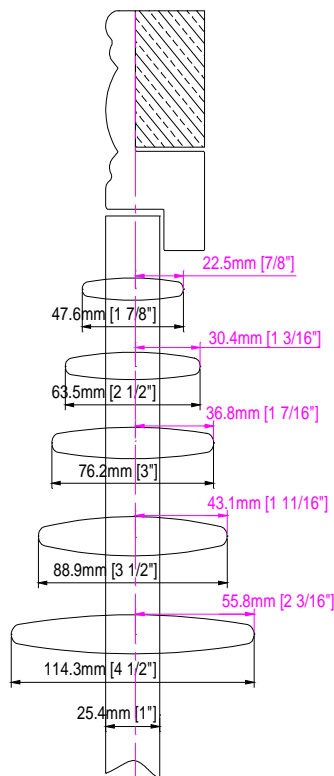
1 1/4" Beaded Z Frame



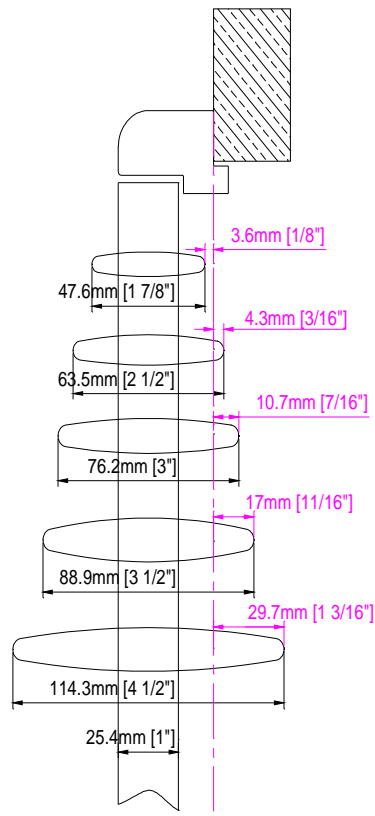
1 1/2" Bullnose Z Frame



2" Bel Air Z Frame



3" Crown Z Frame

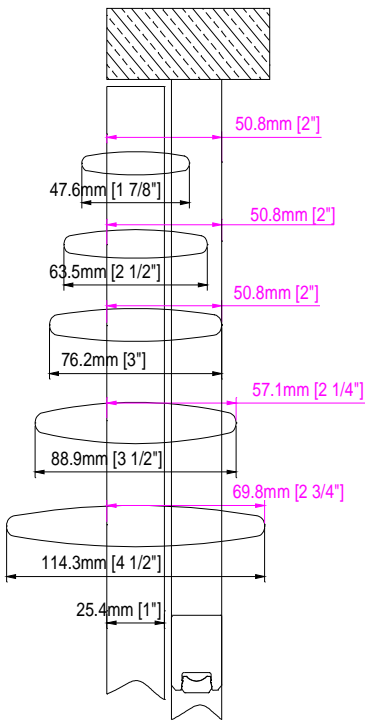


Tilt Out Z Frame

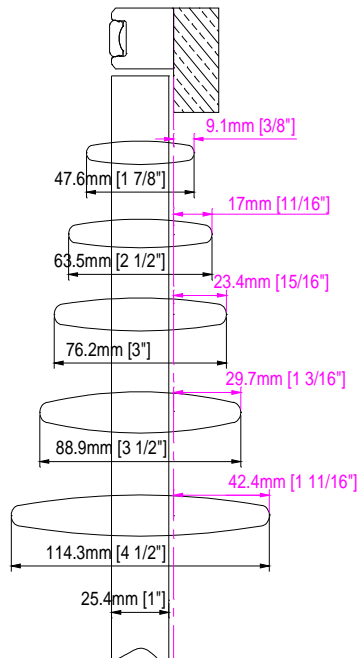
\*Some surcharges apply

WL b-3 / 4

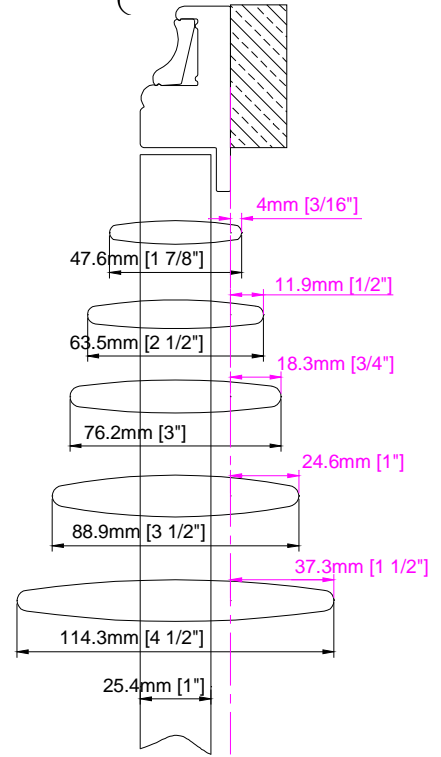
# Woodlore® Shutters



Hang Strip ( Behind the panel)



Hang Strip ( Beside the panel)

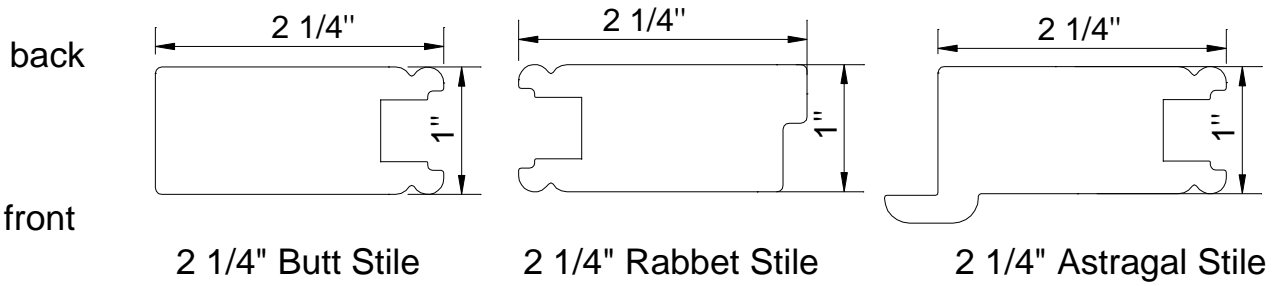
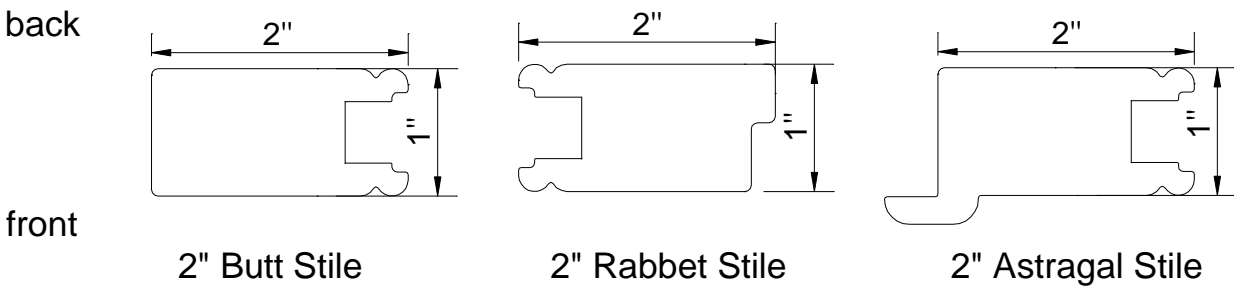
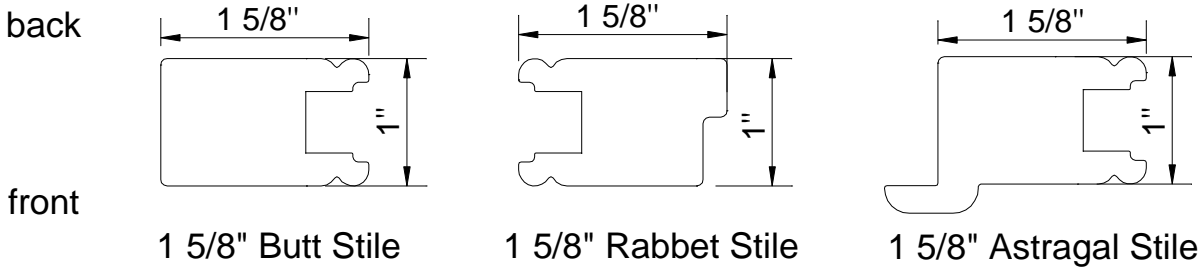


Deco Frame

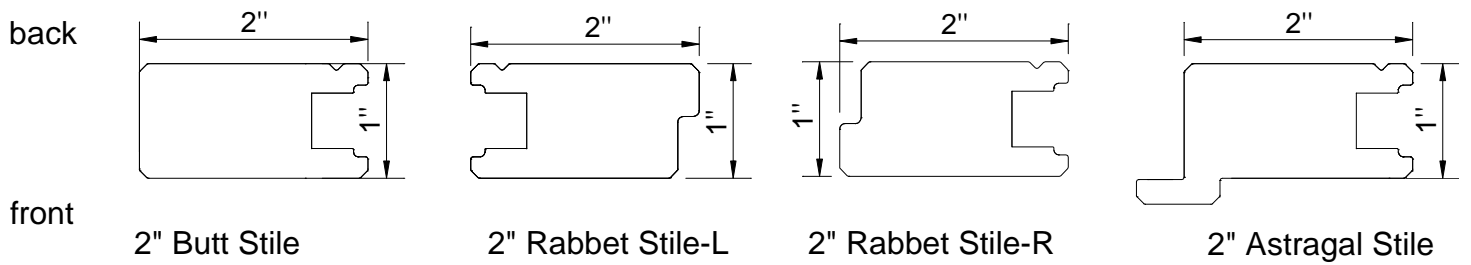
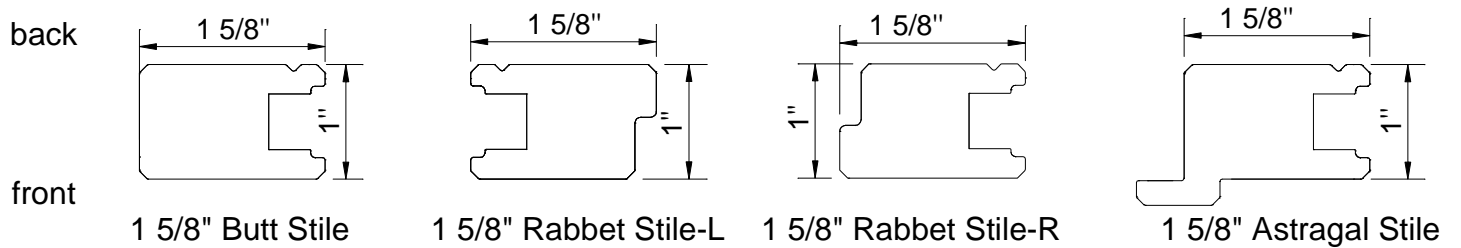
# Woodlore® Shutters

## Stiles

Default: Beaded stile

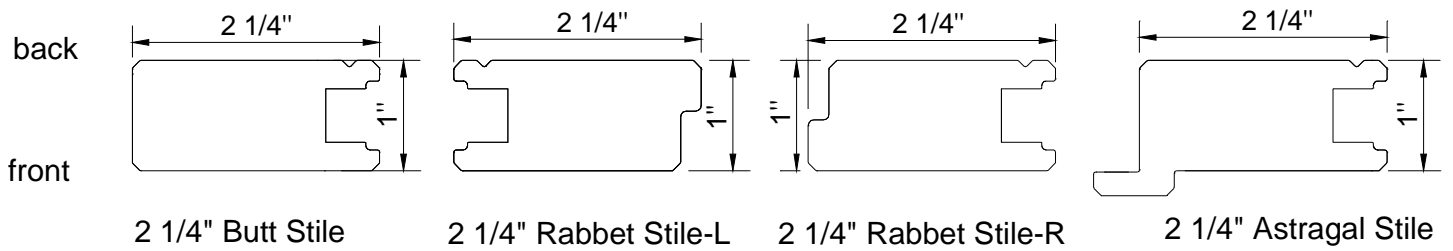


Optional: Chamfer stile





# Woodlore® Shutters



## Stile between panel closure

### Single panel

#### I) Panel width < 9"

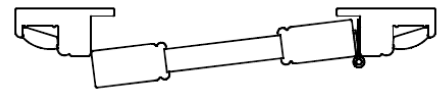
Rabbet stile (Deco frame, L frame, Z frame and Hang strip beside panel)

- 1 5/8"
- 2" (default)
- 2 1/4"



Butt stile only (Hang strip behind panel and Direct Mount)

- 1 5/8"
- 2" (default)
- 2 1/4"



#### II) Panel width ≥ 9"

Butt stile only

- 1 5/8" (Optional for panel width ≤ 12")
- 2" (default)
- 2 1/4"

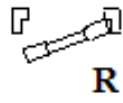
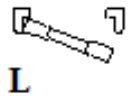
### 2 panels or more

Rabbet stile & Astragal stile

- 1 5/8" (Optional for panel width ≤ 12")
- 2" (default)
- 2 1/4"

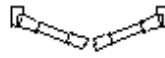
Panel Configurations

Single Panel



OR

Two Panels



LR



LL



RR

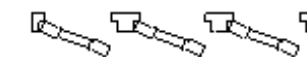
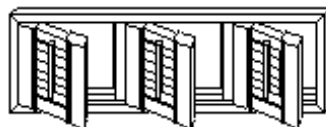
Three Panels



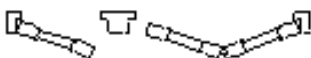
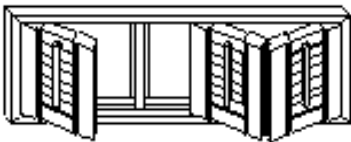
LLR



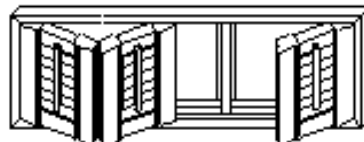
LRR



LTLTL

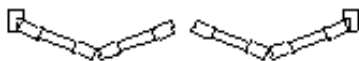


LTRR

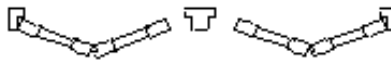
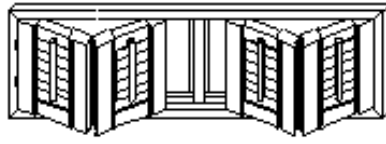


LLTR

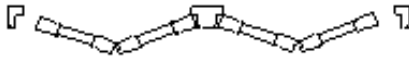
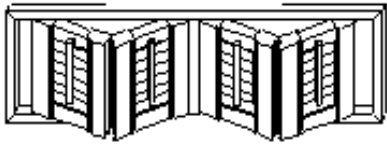
**Four Panels**



**LLRR**



**LLTRR**

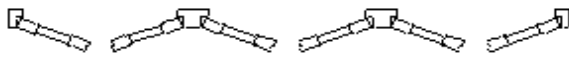


**RRILL**

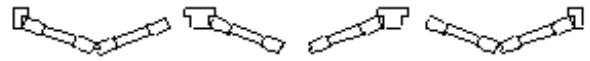


**LTLRTR**

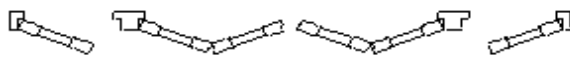
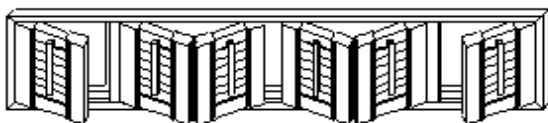
**Six Panels**



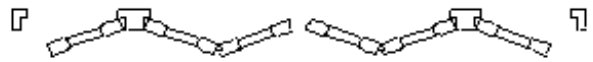
**LRTLRTL**



**LLTLRTR**



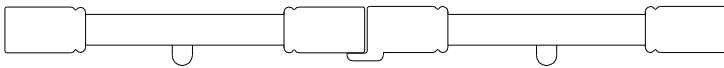
**LTLRRTL**



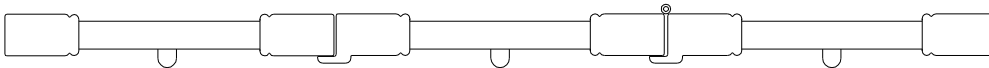
**RTLRLTL**

Panel Configurations – Astragal Stile

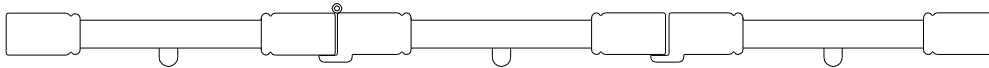
- 2 Panels – LR/LL/RR



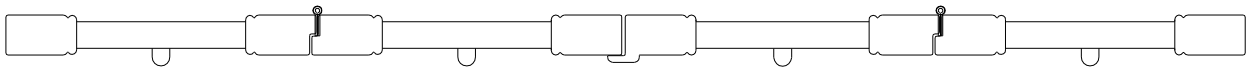
- 3 Panels - LRR



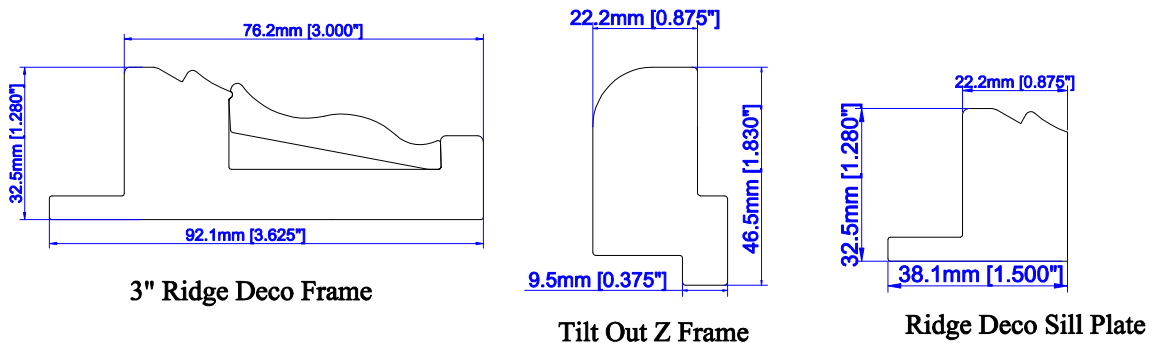
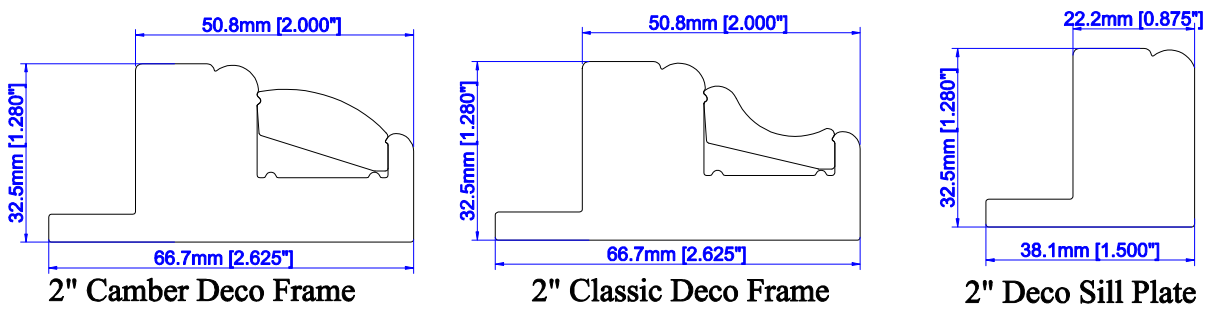
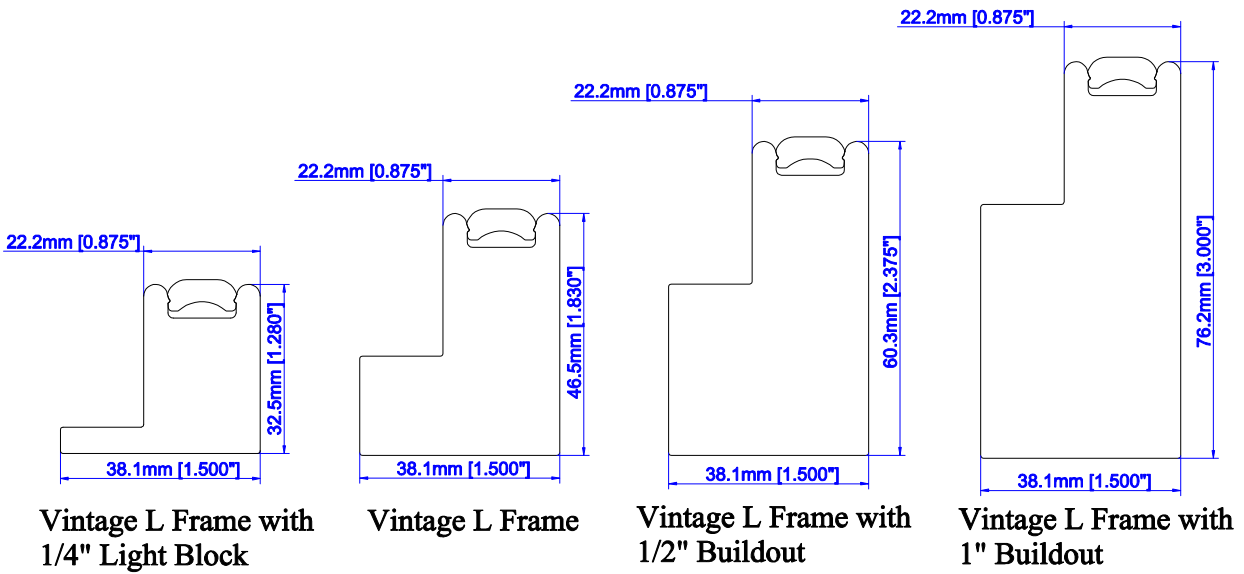
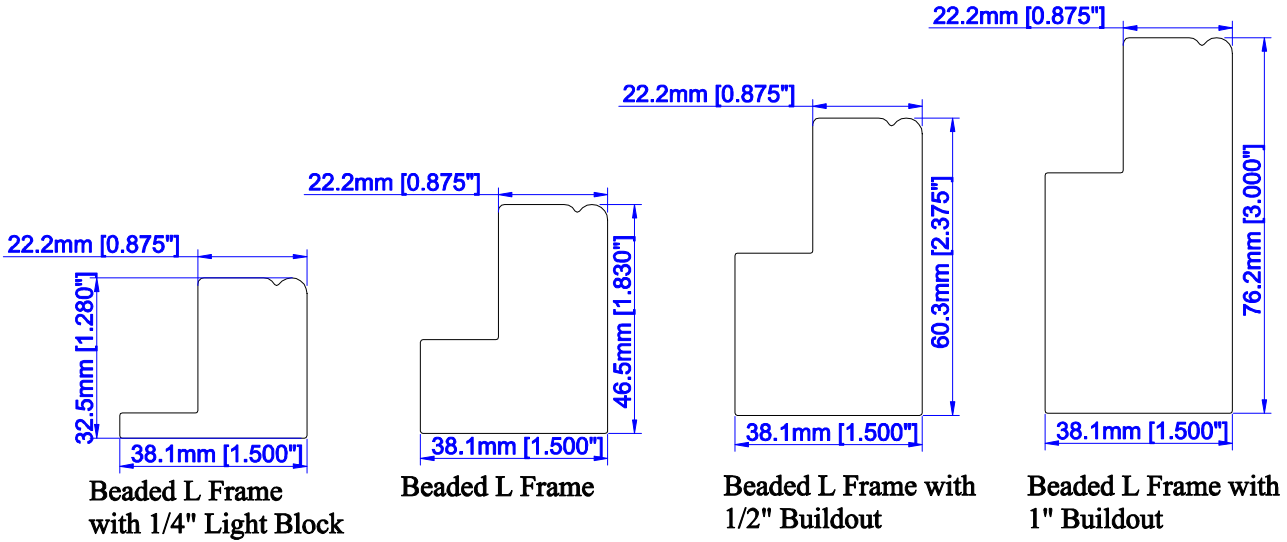
- 3 Panels – LLR



- 4 Panels - LLRR

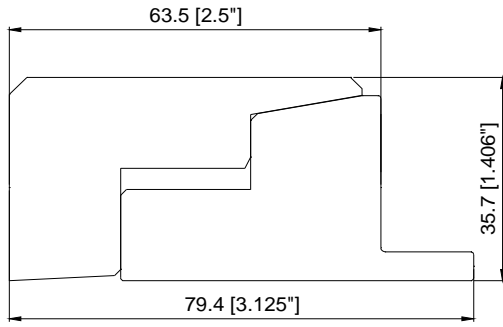


Frame Styles



\*Some surcharges apply

**Frame Styles**

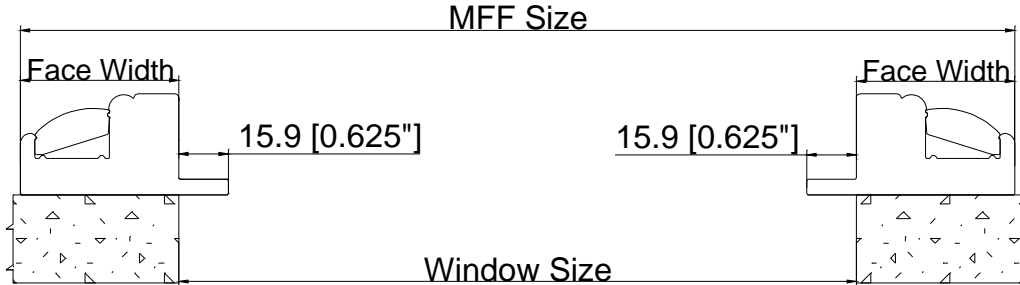


**2.5" Mission Deco Frame**

There are 2 options for the Deco frame installation when Window Size is given (Take Camber Deco frame as an example)

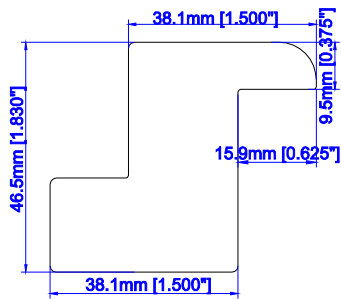
**1. Default: light block part install into the window opening;**

The window size is the exact size of the window opening;  
 The MFF size is the measurement of the entire shutter, including the frames;  
 The MFF size = Window Size + Face Width

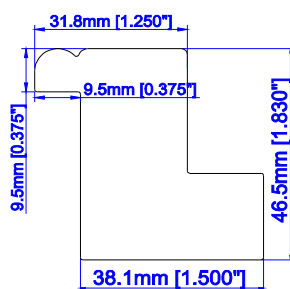


**2. Optional: light block part flush with window opening.**

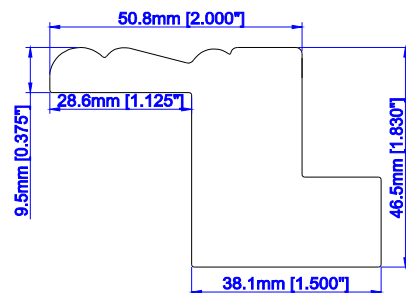
The window size is the exact size of the window opening;  
 The MFF size is the measurement of the entire shutter, including the frames;  
 The MFF size = Window Size + Frame Back Width



**1 1/2" Bullnose Z Frame**

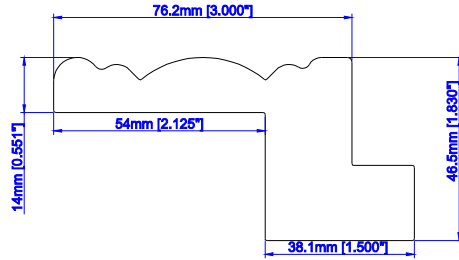


**1 1/4" Beaded Z Frame**

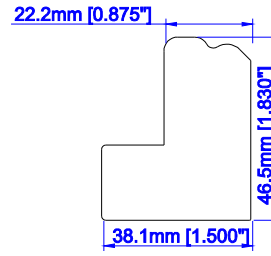


**2" Bel Air Z Frame**

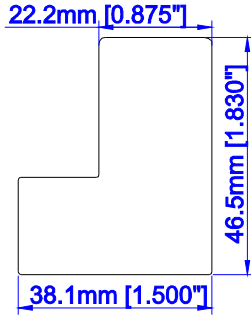
Frame Styles



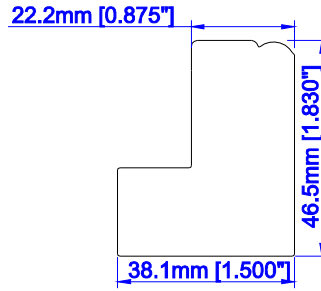
3" Crown Z Frame



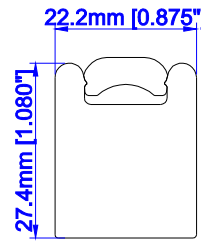
3" Crown Z Sill Plate



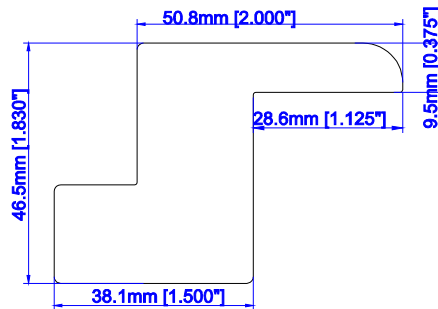
Bullnose Z  
1 1/4" Beaded Z  
Sill Plate



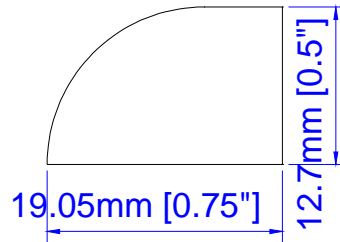
2" Bel Air Z Sill Plate



7/8" Vintage Hang Strip

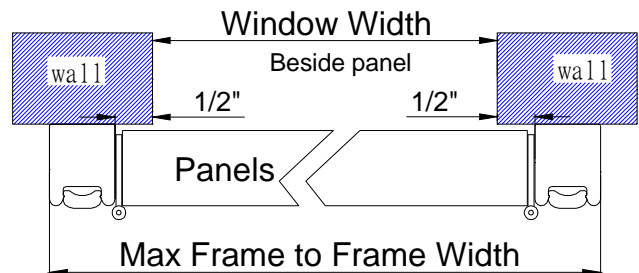
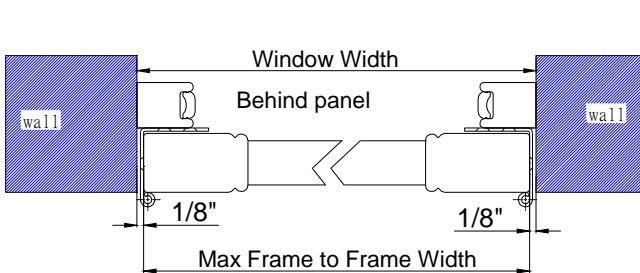


2" Bullnose Z Frame



Quarter Round

Note: Quarter Round will be made in Wood.



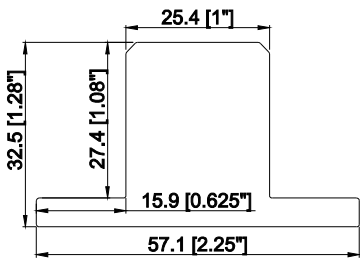
Note: Outside mounted hang strips, behind the panel, is not available for all 4 sides ("all around") or 3 sides inverted.

## Frame Styles

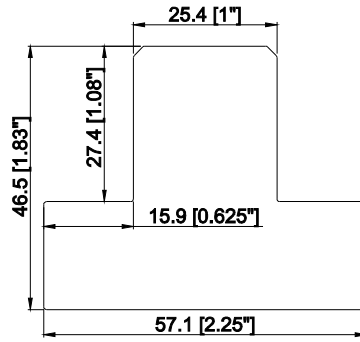
### Standard Sill Plate:

The "Standard Sill Plate" is a sill plate that is made from the same frame type that is being used to mount the shutter. Standard Sill Plate is only available for Deco frames and Z frames (except Tilt Out Z frame). The Deco frame or Z frame is cut-down to convert it into a sill plate, and this enables the Standard Sill Plate to be mitered and connected to the side frames for a more seamless look. The Standard Sill Plate can be used on any side of the shutter for a non-specialty shape: top, bottom, left or right.

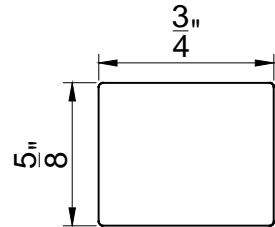
**Note:** The Standard Sill Plate is the only type of sill plate that can be used in combination with a bottom Sill Cap.



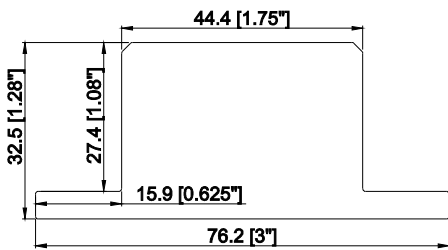
1" Chamfer T Post with 1/4"  
Light Block (Deco)



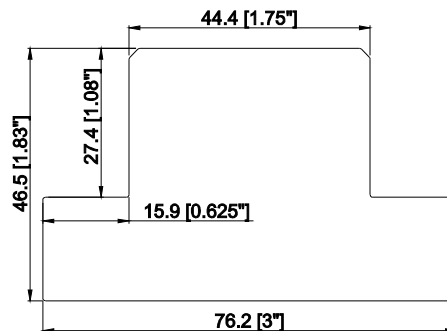
1" Chamfer T Post with 3/4"  
Light Block (L/Z/HS)



Light Block



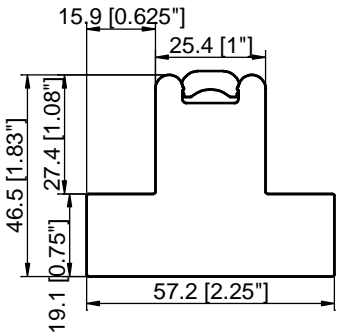
1.75" Chamfer T Post with 1/4"  
Light Block (Deco)



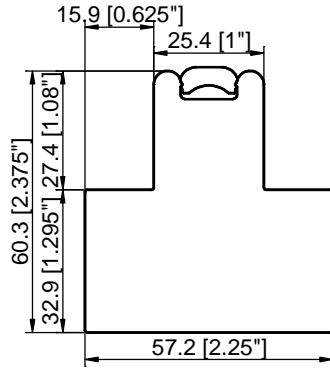
1.75" Chamfer T Post with 3/4"  
Light Block (L/Z/HS)



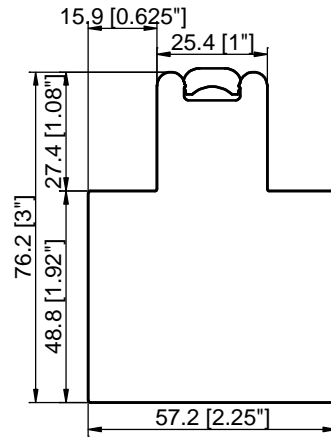
Frame Styles



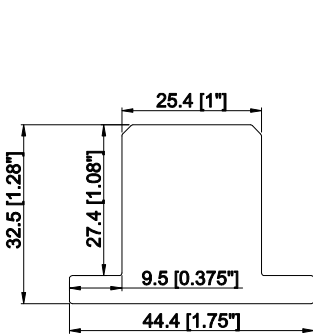
**1" T Post with Insert  
with 3/4" Light Block**



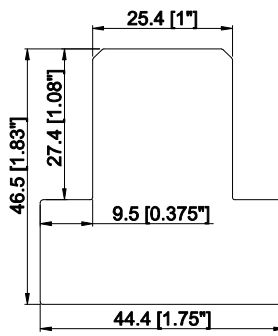
**1" T Post with Insert  
with 1 5/16" Light Block**



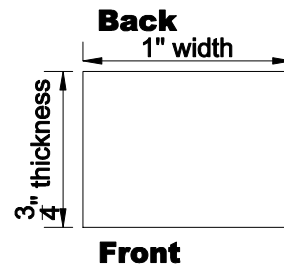
**1" T Post with Insert  
with 1 15/16" Light Block**



**1" Chamfer T Post with 1/4" Thick x  
3/8" Wide Light Block (Deco)**



**1" Chamfer T Post with 3/4" Thick x  
3/8" Wide Light Block (L/Z/HS)**

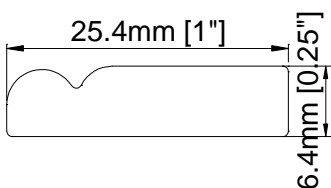


**1" \* 3/4" Post (No light block)**

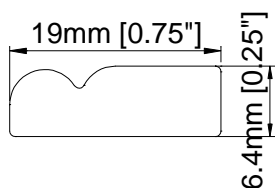
Note: 1" Chamfer T Post with 3/4" Light Block, 1 3/4" Chamfer T Post with 3/4" Light Block, 1" Chamfer T Post with 3/4" Thick x 3/8" Wide Light Block, 1" T Post with Insert with 3/4" Light Block, 1" T Post with Insert with 1 5/16" Light Block, 1" T Post with Insert with 1 15/16" Light Block and Custom Chamfer T Post with 3/4" Thick Light Block are not available for all Deco frames and L frames with 1/4" Light Block.

- Custom width\* up to 7½ for T Posts (Made of Wood)
  - Size limits (7 1/2")
  - Available for composite but it will be made from wood
  - That a surcharge applies and customers should refer to their shutter pricing
  - Any limitations

Note: The 1"x3/4" Post (No Light Block) is only available for Direct Mount. And no hardware will be supplied to install it on the existing window opening.



Scribe Trim 1



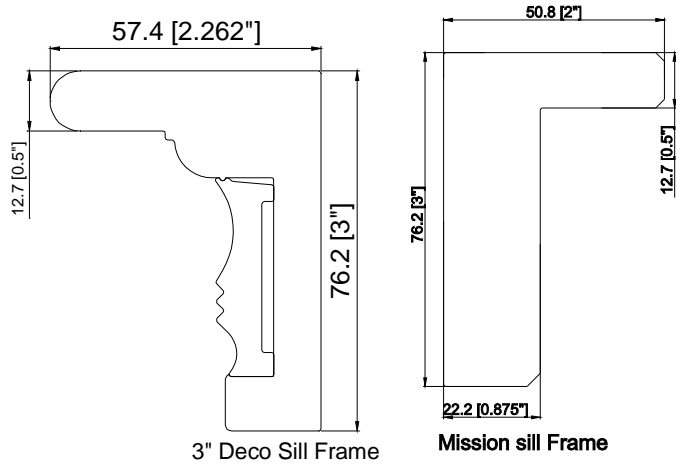
Scribe Trim 2

Note: Scribe Trim 1 and Scribe Trim 2 will be made in wood when ordered from North America.

\*Some surcharges apply

Frame Styles

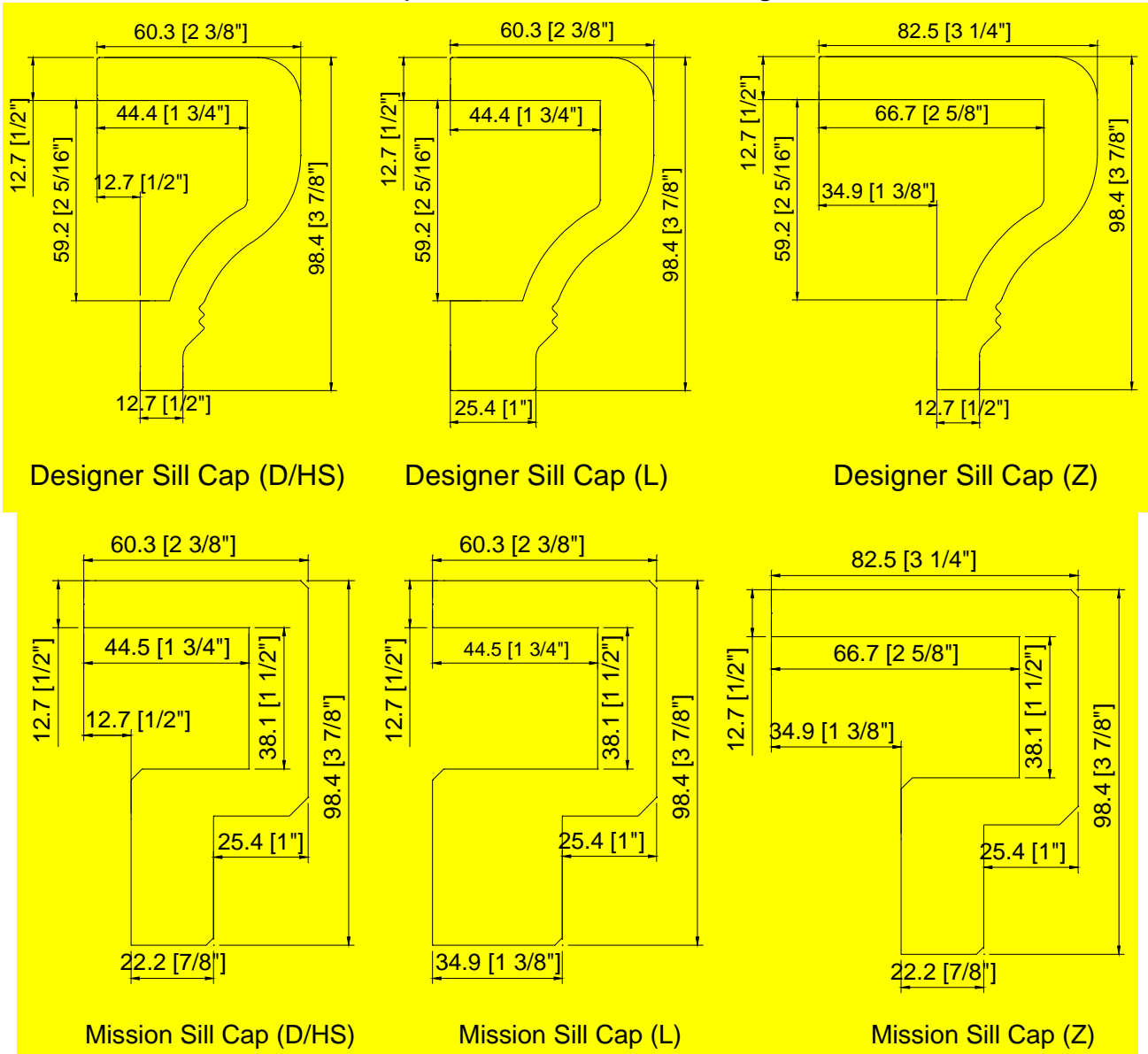
Sill Frames- For use where there is no existing sill



3" Deco Sill Frame

Mission sill Frame

Sill caps-Used to cover existing sills



Designer Sill Cap (D/HS)

Designer Sill Cap (L)

Designer Sill Cap (Z)

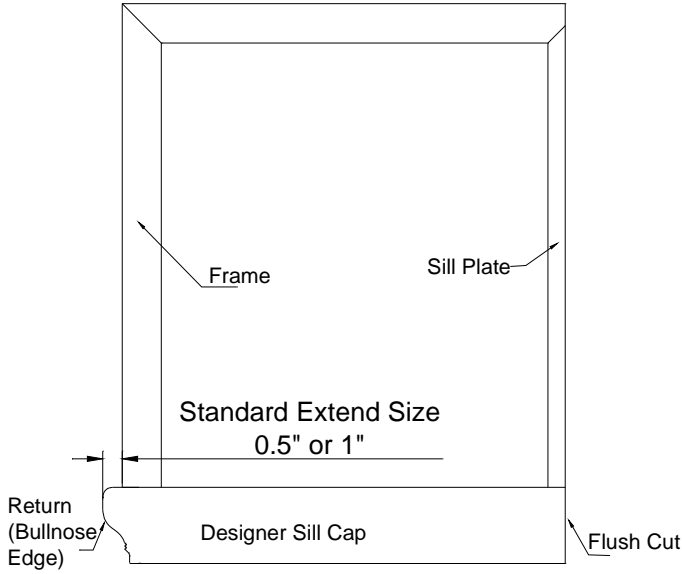
Mission Sill Cap (D/HS)

Mission Sill Cap (L)

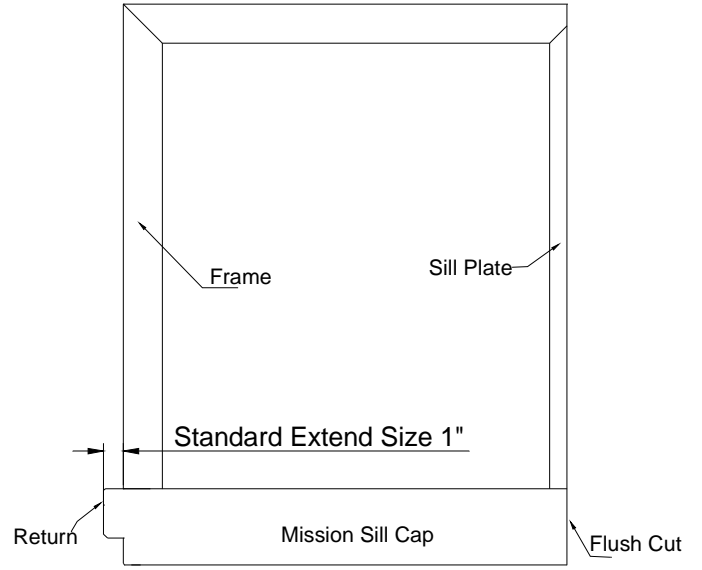
Mission Sill Cap (Z)

Note: For Mission Sill Cap, the extended size at each side needs to be 1" at least.

Frame Styles



Please note that by **DEFAULT: the Designer Sill Cap will be flush-cut and will not have a Return (bullnose edge) on the side(s) of the shutter that has a Sill Plate at the left and/or right side(s).**

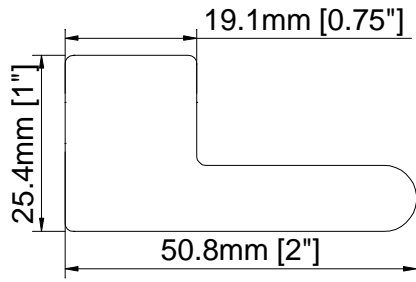


Please note that by **DEFAULT: the Mission Sill Cap will be flush-cut and will not have a Return on the side(s) of the shutter that has a Sill Plate at the left and/or right side(s).**

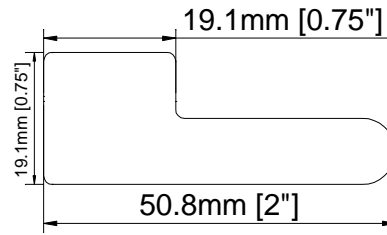
Left side frame situation	Right side frame situation	Judge extend size on each side for Designer Sill Cap & Mission Sill Cap	Notes
Frame	Frame	Calculation= (Existing sill width + 0.625" x 2 - MFF width) / 2	When the customer indicates the existing sill width for the Designer Sill Cap, and the custom extended sill width is less than the standard: ½" extend on each side (after calculation), then the standard ½" extend on each side will be used.
Frame	Sill Plate	Calculation= Existing sill width + 0.625" - MFF width	
Sill Plate	Frame	Calculation= Existing sill width + 0.625" - MFF width	When the customer indicates the existing sill width for the Mission Sill Cap, and the custom extended sill width is less than the standard: 1" extend on each side (after calculation), then the standard 1" extend on each side will be used.
Sill Plate	Sill Plate	Close the <u>Existing Sill Width</u> field	Designer Sill Cap & Mission Sill Cap will be flush cut on both ends

Frame Styles

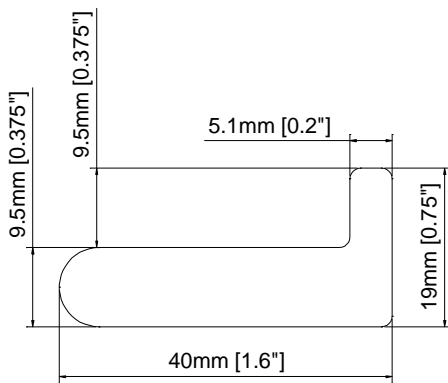
Sill Plates- Used with existing sills



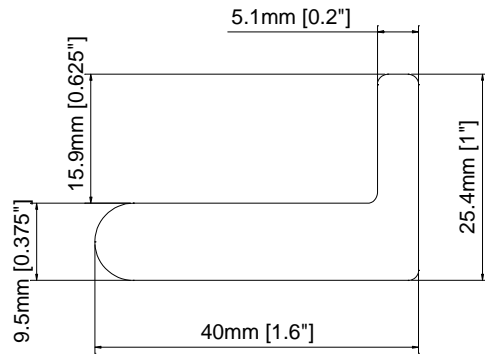
2" Sill Plate with 5/8" Light Block (L/Z)



2" Sill Plate with 3/8" Light Block (L/Z)



1.6" Sill Plate with 3/8" Light Block



1.6" Sill Plate with 5/8" Light Block

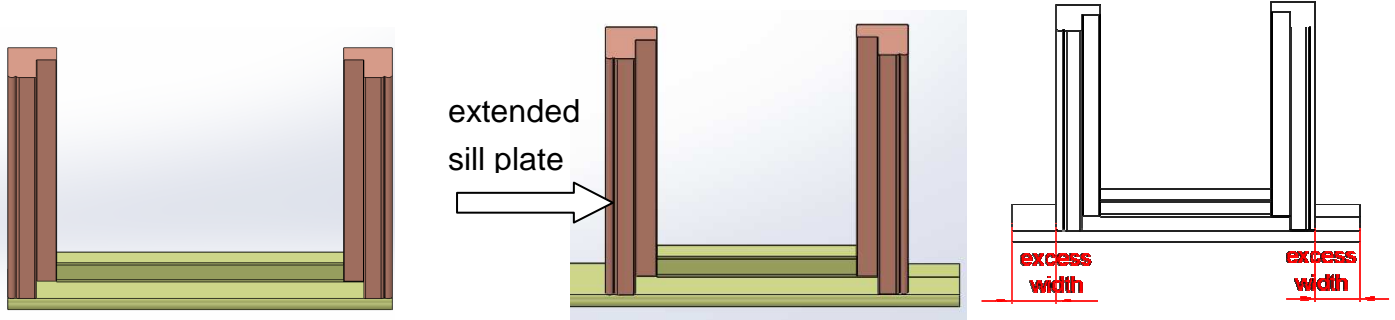
(All Deco & L frames with 1/4" light block)

(All Deco & L frames with 1/4" light block)

For 1.6" / 2" sill plate with 5/8" (or 3/8") light block:

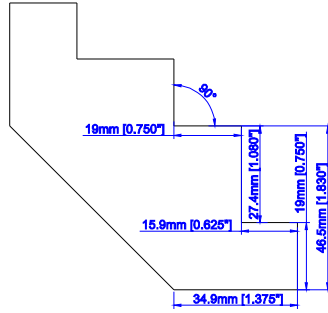
- Regular shutters: Available for top sill and bottom sill on 2-sided and bottom sill on 3-sided;
- 3 sides Inverted frame: these sill options can be used at the top only.
- Café shutters: Available for bottom sill;

For 1.6" / 2" sill plate with 5/8" (or 3/8") light block, when an extended sill plate is requested, the excess width will be divided evenly on both sides, take the following drawing as an example for reference:

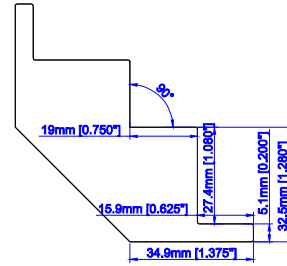


Frame Styles

Standard Corner & Bay Posts

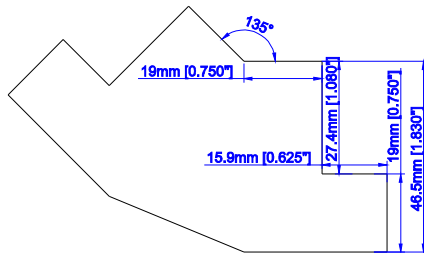


Corner Post with 3/4" Light Block (L/Z/HS)

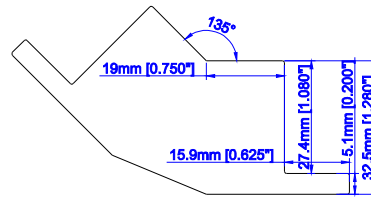


Corner Post with 1/4" Light Block (Deco)

\*Notch out corner post required if ordering Z Frame with solid drywall corner.



Bay Post with 3/4" Light Block (L/Z/HS)



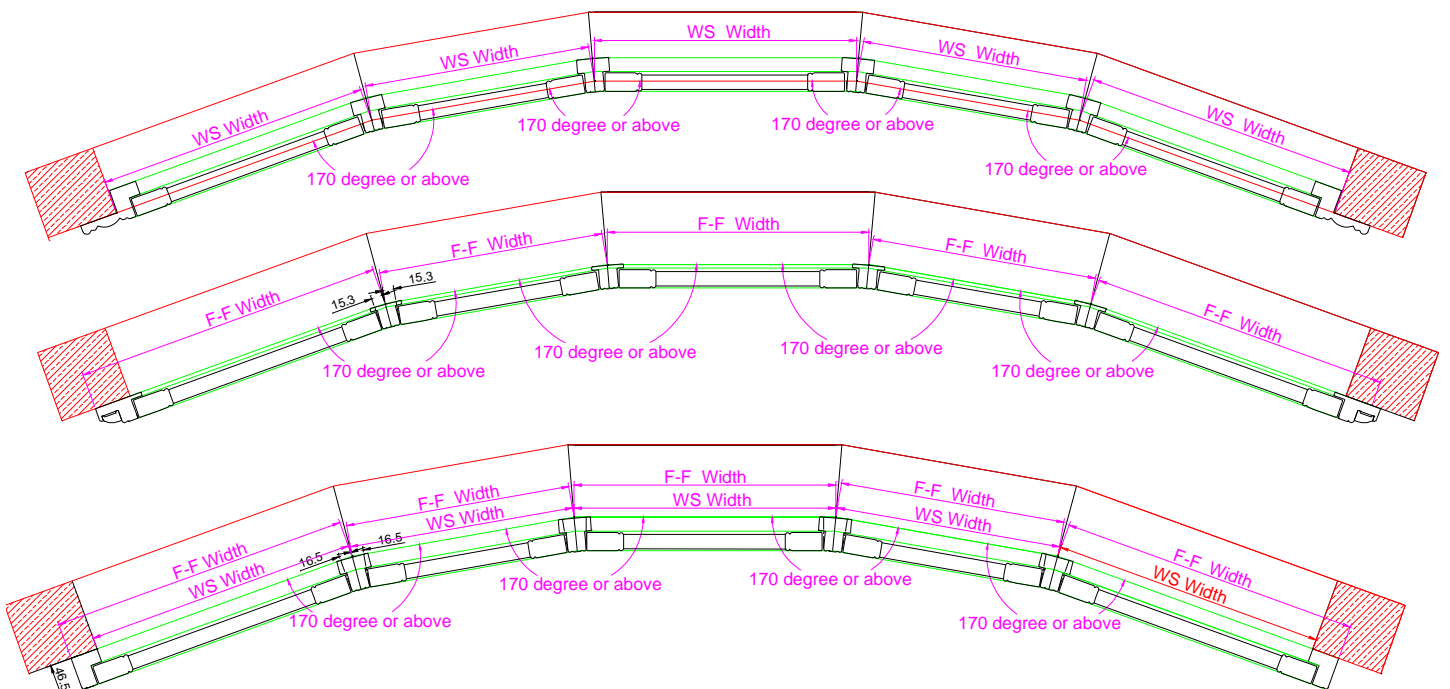
Bay Post with 1/4" Light Block (Deco)

Also available

- o Custom angle bay posts \*

For bay window at 170 degree or above,

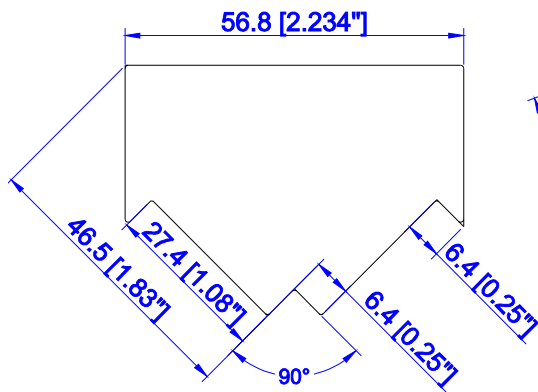
- 1" T Post with 3/8" light block will be used as Bay post;
- For Hang Strip (Behind Panel), bay post will be used.
- Bay post will be used when the degrees of all bay posts in a Bay Window Shutter with both <170 degree and >= 170 degree at the same time.



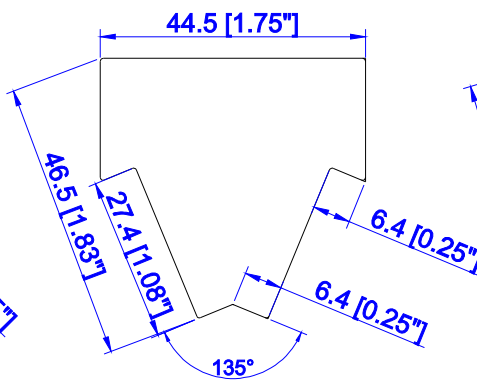
\*Some surcharges apply

Frame Styles

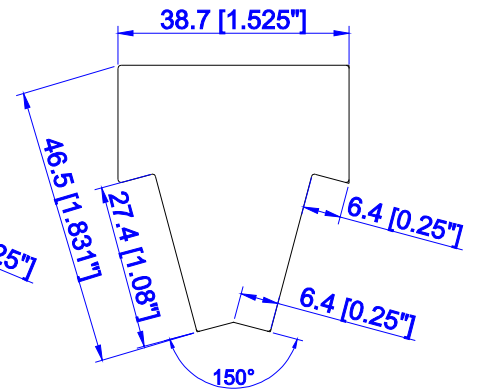
Slim Fit Corner & Bay Posts



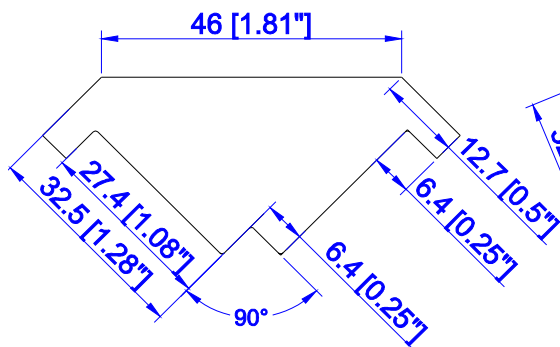
Slim Fit Corner Post for 90 Degree (L/Z/HS)



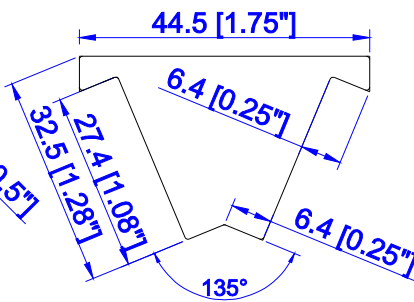
Slim Fit Bay Post for 135 Degree (L/Z/HS)



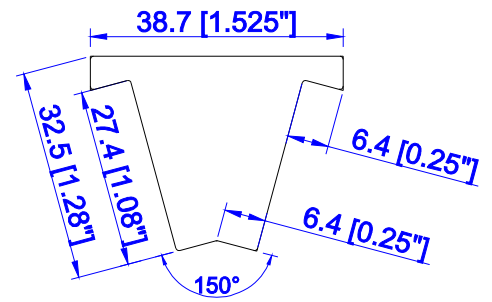
Slim Fit Bay Post for 150 Degree (L/Z/HS)



Slim Fit Corner Post for 90 Degree (D)



Slim Fit Bay Post for 135 Degree (D)



Slim Fit Bay Post for 150 Degree (D)

Note: Due to size and weight limitations, Slim Fit Posts may only be hinged on one side and with a single panel (no bi-folded panels). Please consider this when determining panel configuration.

- Slim Fit Posts are available in 90, 135 and 150 Degrees only.
- All Bay posts, Corner posts and Slim Fit Posts are made of Wood.

**In order to better match corner windows / bay windows:**

- **For non sample orders, please note that corner windows must have the same:**
  - Post Type (Standard or Slim Fit)
  - Color
  - Hinge Options
  - Louver Size
  - Frame Type
  - Mount Type
  - Extension
  - Sill Options
  - T-Post Options
  - Height
  - Stile Type and Profile
  - Tilt Type

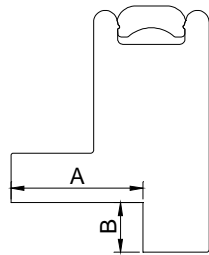
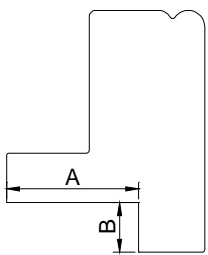
\*Some surcharges apply

## Frame Styles

- Divider Rail Options
- Double-Hung Options
- Split Tilt Options
- PerfectTilt Options

● **For non sample orders, please note that bay windows must have the same:**

- Post Type (Standard or Slim Fit)
- Color
- Hinge Options
- Louver Size
- Frame Type
- Mount Type
- Extension
- Sill Options
- T-Post Options
- Height
- Stile Type and Profile
- Tilt Type
- Divider Rail Options
- Double-Hung Options
- Split Tilt Options
- PerfectTilt Options



Notch Out  
Beaded L Frame (A) \*

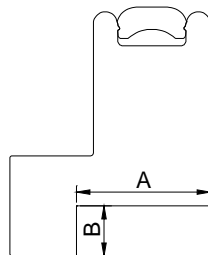
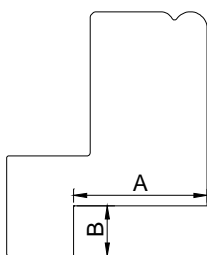
Notch Out  
Vintage L Frame (A) \*

Limitation for the Notch Out Size:

A<=1"; B<=1/2" for Beaded/Vintage L frame;  
A<=1"; B<=1" for Beaded/Vintage L frame with  
1/2" Buildout;

A<=1"; B<=1 5/8" for Beaded/Vintage L frame  
with 1" Buildout;

Note: Notch Out L frames cannot be ordered with  
sill options, including 2" Sill Plate, Sill Frames, or  
Sill Caps (due to installation issues that would  
result).



Notch Out  
Beaded L Frame (B) \*

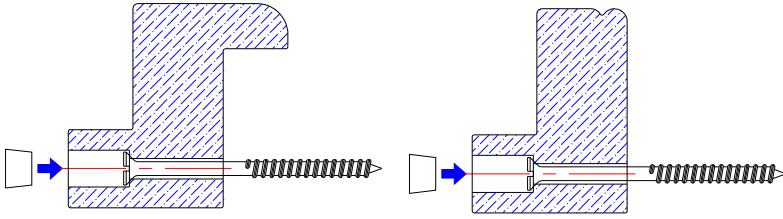
Notch Out  
Vintage L Frame (B)

Note: Notch Out L frame is not available for L frames w/ 1/4" light block.

\*Some surcharges apply

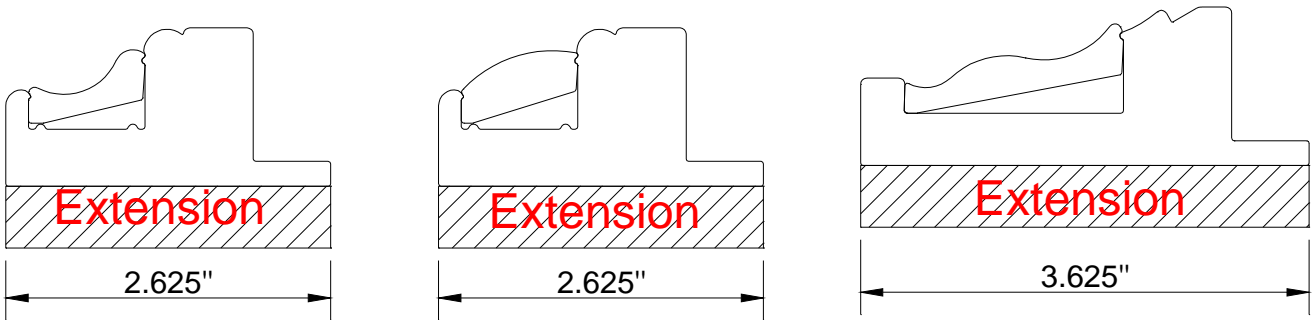
## Frame Styles

Pre-drill L Frames (Inside Mount Only) or Z frames:



Please note that the prefilled hole and the plug will not be a 100% complete fit, but that would not affect the performance of the screw. Shutters can't be remade solely because of this issue.

Extension for Deco Frame\* (Default to have full extension):



2"Classic Deco Frame with extension

2"Camber Deco Frame with extension

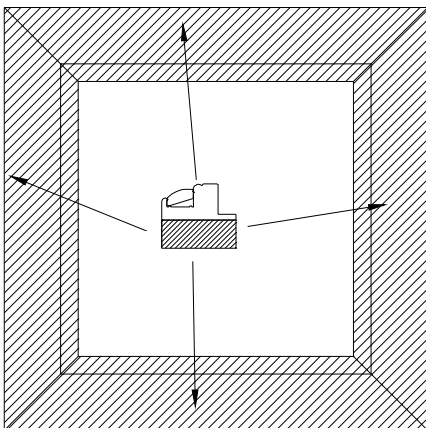
3"Ridge Deco Frame with extension

Note: Custom extensions\* are available for Deco Frames, L frames & Hang strips (OM, beside the panel) & T posts, when the extension thickness is more than 2", the extension will not be attached to the frames and/or T posts.

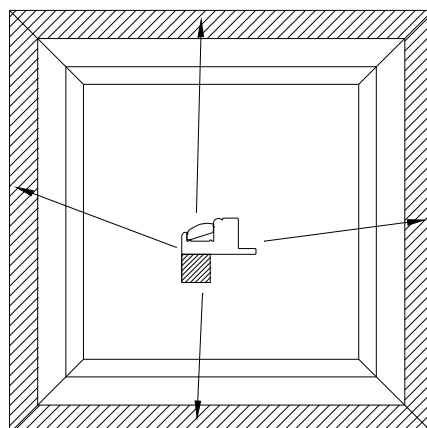
Custom extensions\* are available for the lips of all Z frames except Tilt out Z frames, when the extension thickness is more than 1", the extension will not be attached to the Z frames.

The extension can be on all sides of the frame, or individual sides can be selected if the extension is not needed on all sides.

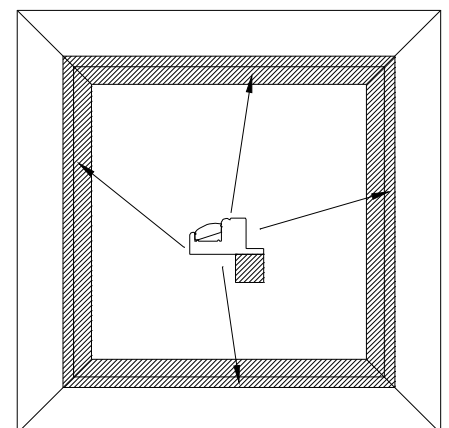
See the following drawings below as examples:



4 sides frames with xxx" full extension



4 sides frames with xxx"wide extension, flush with outside edge of frame

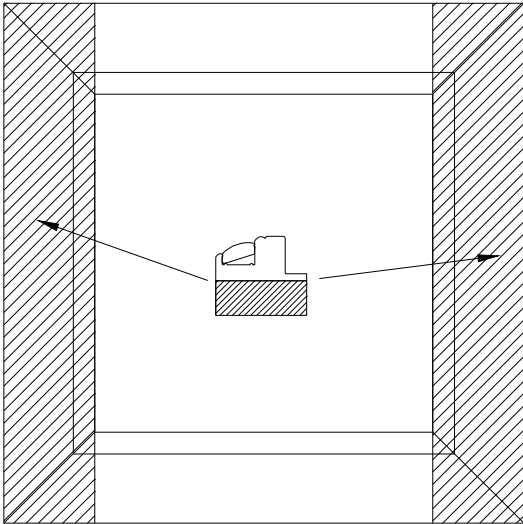


4 sides frames with xxx"wide extension, flush with inside edge of frame

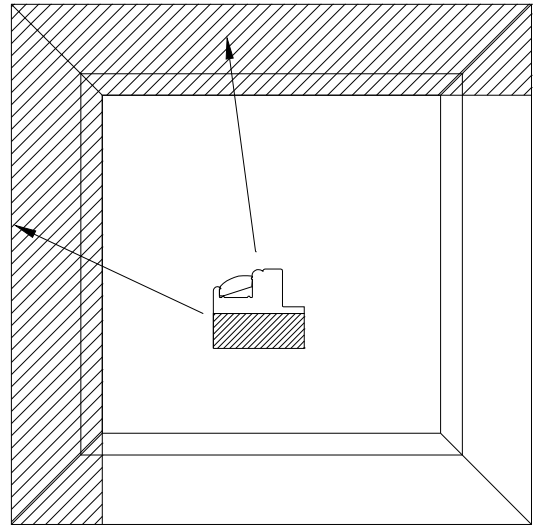
\*Some surcharges apply



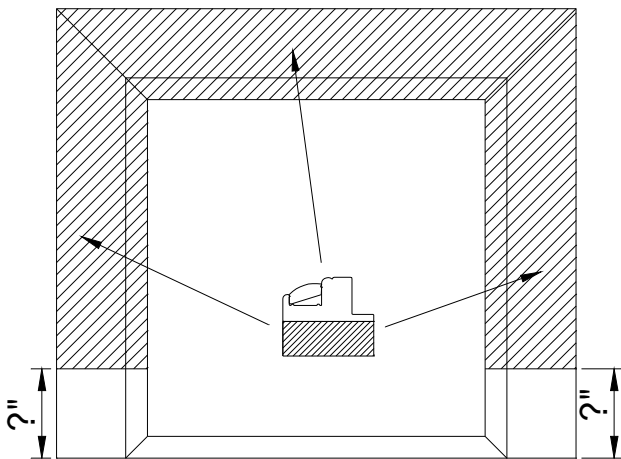
Frame Styles



Left and right frames with xxx" full extension



Left and top frames with xxx" full extension



xxx" full extension of left and right frames  
start from "?, no extension on bottom frame

Notes:

- Add extension side (e.g. left, right, top, bottom) to distinguish.
- Add frame location (e.g. left, right, top, bottom) to instead of No. of sides to distinguish.
- Apply to regular shutters and café shutters.
- Apply to all frame types except Hang Strip (behind panel) and Tilt Out Z frame.
- For non-full extension size, please state that the extension is flushed with outside / inside edge of frame.
- When there are tiles or obstacles that prevent all sides of frame to add extension, please state that where to start adding the extension.

## Frame Styles

● Standard Filler Strips (width x depth):

1" x 3/4"	1" x 2 15/16"	3/4" x 1 1/2"
1" x 1 3/16"		1" x 1 1/2"
1" x 1 9/16"	3/16" x 1 1/2"	1 3/16" x 1 1/2"
1" x 2"	3/8" x 1 1/2"	1 3/8" x 1 1/2"
1" x 2 3/8"	9/16" x 1 1/2"	1 9/16" x 1 1/2"

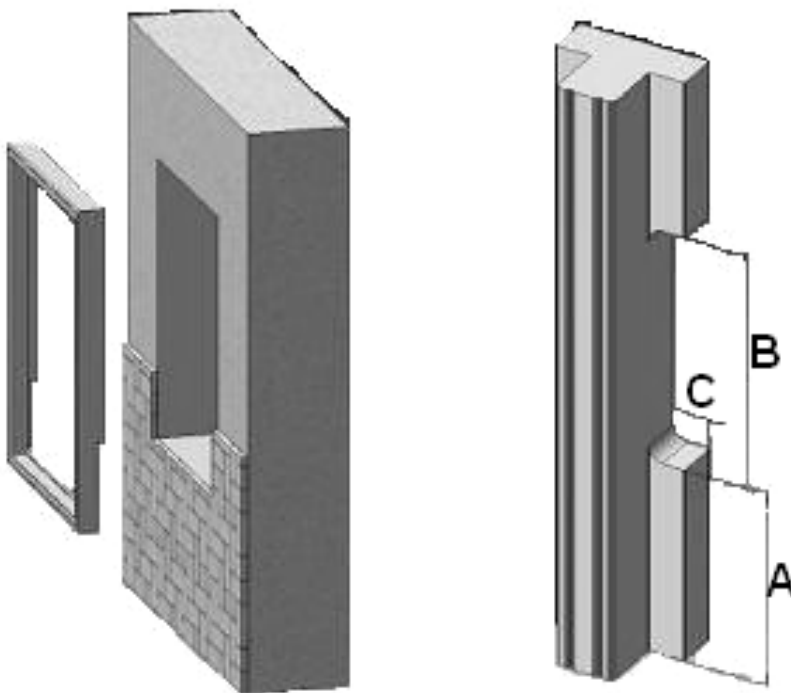
Note:

1. The width or depth of Custom filler strip / Standard filler strip can't be less than 1/8".
2. The width or depth of Custom filler strip / Standard filler strip can't be greater than 7 7/8".
3. The width and depth of Custom filler strip / Standard filler strip can't be greater than 3 15/16" at the same time.

Notch out\*:

- L Frame
- T Post

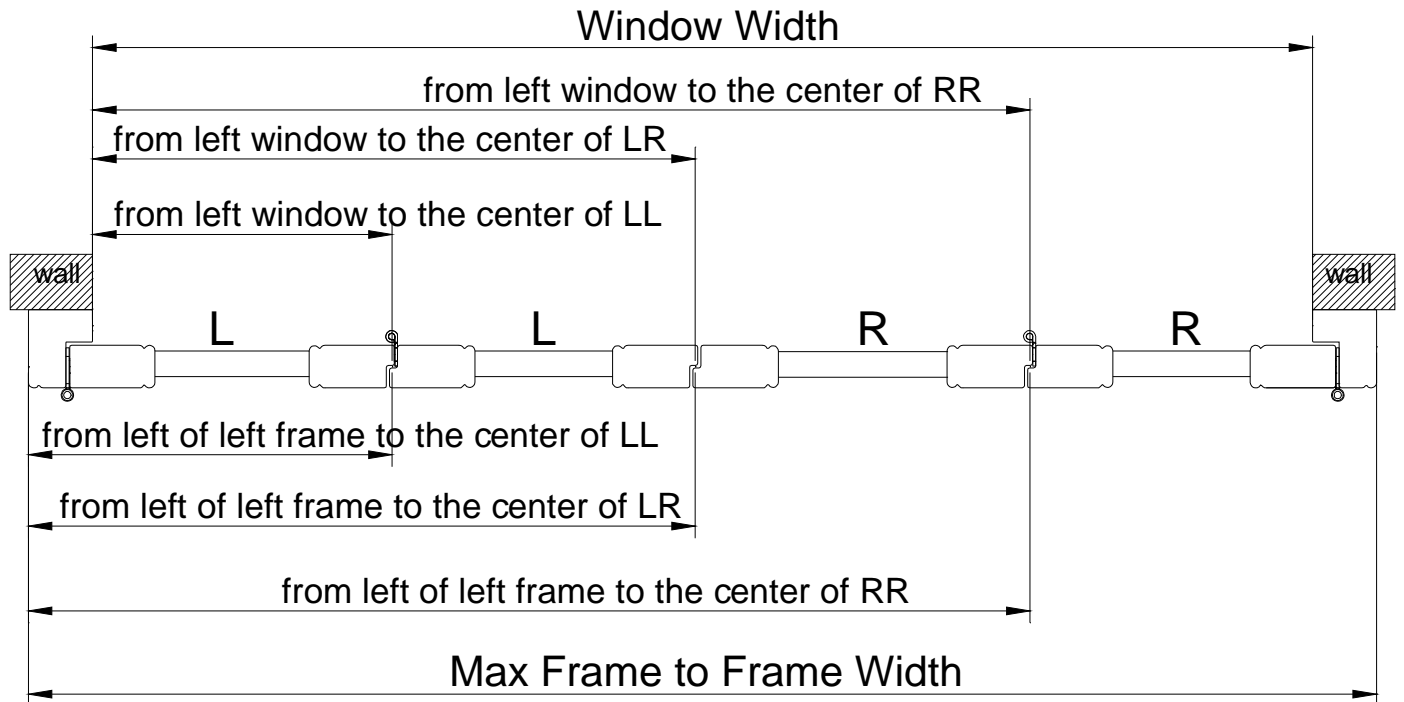
Specify dimensions in special instruction box.



## Frame Styles

### Uneven Panel Width:

Take Beaded L Frame outside mount as an example:



### Default principles:

1. Regarding shutter with horizontal T-post type issue:  
Horizontal T-Post type will always be the Chamfer T post unless otherwise specified.
2. For Double Hung shutter with a horizontal T post, the face width of the horizontal T post defaults to 1 3/4".

General Product Specifications

<u>Description</u>	<u>Minimum</u>	<u>Maximum</u>	<u>Notes</u>
Single Panel Width (Regular)	6"	24" for 1 7/8" louver, 30" for 2 1/2" louver, 36" for 3", 3 1/2", 4 1/2" louver;	<p>1. Widths up to 36" (with 3", 3 1/2", 4 1/2" louver) will default to 1 panel.</p> <p>2. Panels &gt;30"~36" (3", 3 1/2", 4 1/2" louver) will have a larger top and bottom rail size than panels that are less than 30" wide.</p> <p>3. Please note the following limitations for widths over 30" with 3", 3 1/2" &amp; 4 1/2" louvers:            a. Double Hung shutters must have a horizontal T post;            b. Shutters must be installed in windows with bottom support. Doors without a bottom support or windows with a non-standard gap at the bottom are not available.            c. The stile must be 2" or 2.25".</p>
Single Panel Width (Bifold)	6"	24"	
Single Panel Width (Bifold Track)	6"	24"	
Single Panel Height	10"	120"	
Shutter Width (Without T Post)	N/A	4x single panel width (bifold) + frame	
Shutter Width (With T Post)	N/A	Unlimited <b>(For orders shipped by sea freight, frames longer than 142 7/8" will be spliced. For orders shipped by air freight, frames longer than 120" will be spliced.)</b>	
Shutter Height	N/A	120" + frame	

Divider rail is required for panel heights over 74".

Standard divider rail size is 3".

Please note the standard top/bottom rail size should be within 2.75"~6.5". For regular shutters, the step for the rail size is 1/8".

Shutters to be installed where there is no bottom supports are not available.

Shutters without bottom supports may sag and deform, including:

1. Shutters with a bottom gap over 0.1”;
2. Shutters with no frame or existing bottom sill to support the panel (or shutter has bottom frame/existing sill, but the panel is frequently left in the open position).

#### Side by Side / Match Line Number:

When **Side by Side** is selected, it is solely to match top or bottom rails and the number of hinges will also be matched when the panel heights are within +/- 2”.

#### Match with Previous WO#:

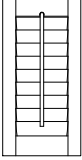
Match with Previous WO# matches the color if available. (Note: Matching rail sizes and louver counts are subject to product specification limitations. Match color is not available for Woodlore program.)

- For Pure White color and custom colors, color can only be matched for up to 1 year from original order date
- For non-Pure White color and non-custom colors, color can only be matched for up to 5 months from original order date.

Tilt Rods

Standard Tilt Rod

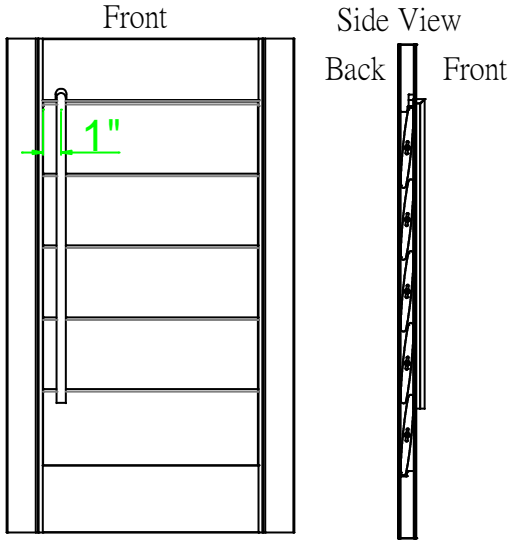
**Default Location:** In the middle of the panel on front side (default).



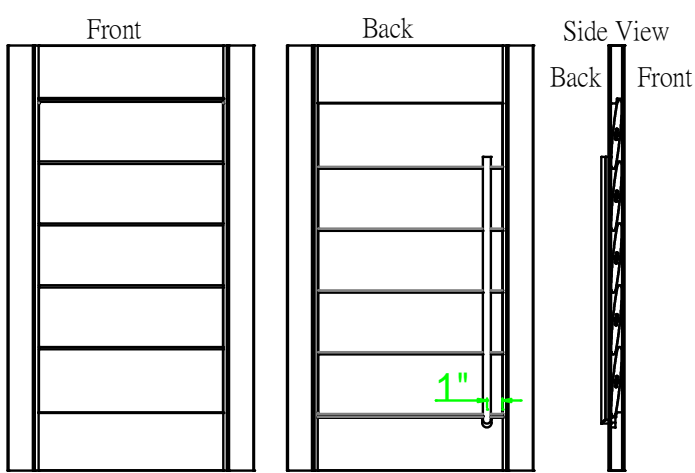
Offset Tilt Rod\*

**Default Location:** On the front side of the panel and at 1" from the louver ends on the hinged side.

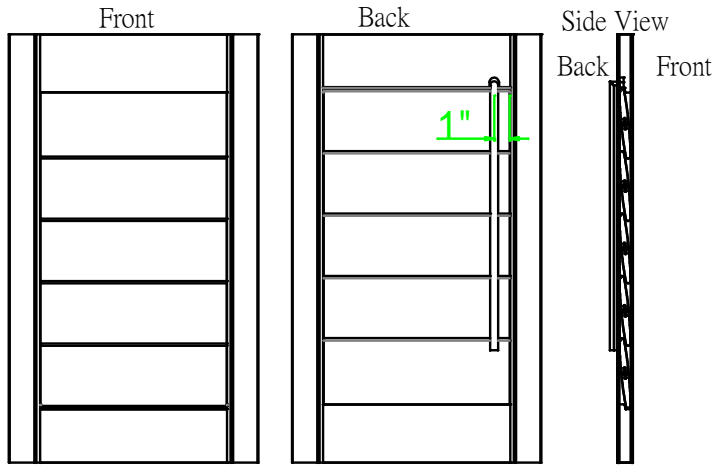
**Optional location:** On the back side of the panel, 1" from the end of the louvers on the hinged side.



Offset tilt rod on the front side of panel, the louvers dress up from front view



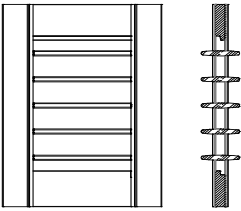
Offset tilt rod on the back side of panel, the louvers dress up from front view



Offset tilt rod on the back side of panel, the louvers dress down from front view

\*Some surcharges apply

**InvisibleTilt® \***



Louver tilting system embedded within panel stile. It is not available for 1<sup>7</sup>/<sub>8</sub>" louver. The tilting system is split when the number of louvers exceeds the limits as listed below:

Louver Size	Maximum Possible Louvers	Panel Height Range
2½"	24	54 ¾" – 57 ¼"
3"	19	54 ¼" – 57"
3½"	16	54 ¾" – 58"
4½"	12	54 ¾" – 60"

For even numbers of louvers, the number of louvers operated by the top and the bottom tilting system will be the same;

For odd numbers of louvers, the number of louvers operated by the bottom tilting system will be one more than the number of louvers operated by the top tilting system;

To ensure split tilt is included, always specify on the order.

### Split Tilt

When selected, the louvers are split equally by default unless a custom location is requested.

When split equally is selected, for odd numbers of louvers, the number of louvers operated by the bottom tilting system will be one more than the number of louvers operated by the top tilting system.

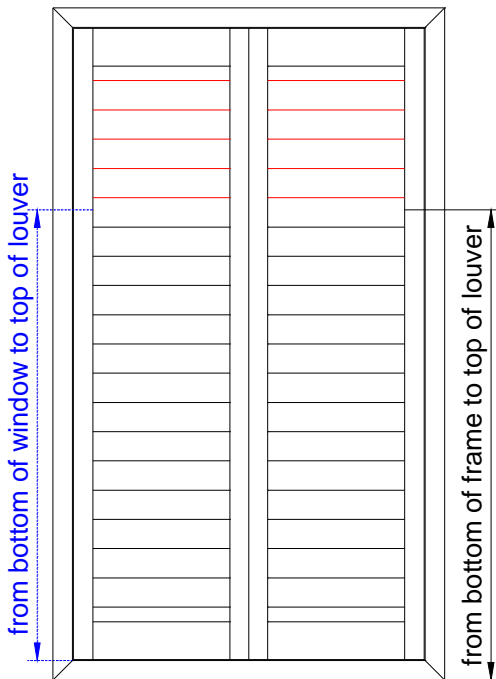
When the customer selects a custom location, the measurement will be as follows (please note that the louvers are in the closed position when measured):

Window size:

- Measure from the bottom of the window to the top of the louver

Max frame-to-frame:

- Measure from the bottom of the frame (or panel if there is no bottom frame, sill or sill cap) to the top of the louver.



Split tilt allowable deviations

Louver Size	Allowable $\pm$ Deviation
1 7/8"	3/4"
2 1/2"	1"
3"	1 1/4"
3 1/2"	1 1/2"
4 1/2"	2"

**Split Location:**

— Per the customer's specification. However, the location of the top louver of the bottom split section may be adjusted to achieve more balanced top and bottom rails when **allow deviations** is selected during order entry. If necessary the location will be moved up from the desired height to ensure any obstruction is covered. The amount of the deviation from the desired height will depend on the size of the louver selected.

If the exact location of the split is critical, customer may select **exact location** in the order entry system when placing the order. This may result in significantly different top and bottom rails. When exact location is selected, a popup will reveal the resulting top and bottom rails measurements from which the customer may either:

1. Accept the listed top and bottom rail sizes
2. Modify the split location (sometimes a slight adjustment in the exact split location may achieve desired top and bottom rail sizes)
3. Change to **allow deviations** so the system will calculate the split location

**Note:** Top and bottom rail sizes may change if the current line item is being matched with another line item. Carefully review all top and bottom rail sizes and split locations to ensure a desirable look is achieved

- **Please note that Tilt options (including tilt rod), Split Tilt, Divider Rail, Double Hung, and PerfectTilt™ motorization are not available for panels with one louver. In addition, there will be no mouse hole on a panel or louver section that has only one louver.**

Panels with one louver may be any of the following:

- a. only one louver on the panel;
- b. only one louver above or below a divider rail;
- c. only one louver above or below a split tilt location;
- d. only one louver on Double Hung top panel or Double Hung bottom panel.

\*Some surcharges apply



## Divider Rails

A divider rail is an extra rail in the middle of the panel.  
Creates two sections in the panel so louvers can be operated independently.  
Strengthens the panel and enhances structural integrity.

Divider rail is required for panel heights over 74".

For tall panels, the divider rail location should be placed within the panel height maximum, so that the remaining panel space above or below the divider rail is not taller than the panel height maximum. If the divider rail is placed too high or too low on the panel, then a 2nd divider rail may be required.

### Specifications

Standard size: 3"

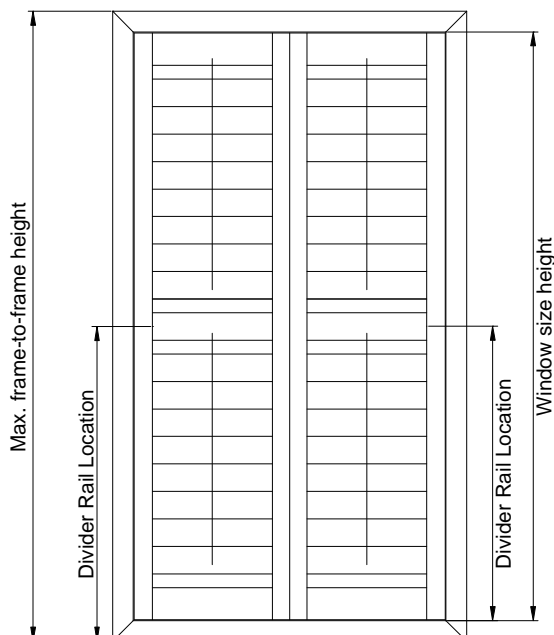
Default location: center of the panel unless specified otherwise

If the Divider Rail Location must be accurate, "Exact Location" must be selected or specified when placing an order.

### Measurements:

- Window size:
  - Measure from the bottom of the window to the center of the divider rail.
- Max frame-to-frame:
  - Measure from the bottom of the frame to the center of the divider rail.
- Position:
  - Per customer's specification. However, the divider rail may be adjusted to a lower or higher position, within our allowable deviation, to ensure reinforcement and aesthetics of the shutter.

When placing the order, please clearly specify if the divider rail position needs to line up with that of other shutter divider rails in the same room. Please also refer to the table below for the allowable deviation details.
- Between 2 divider rails / 2 split tilt rod locations / 1 divider rail location and 1 split tilt location, there needs to have at least two or more louvers for non-motorization shutters.



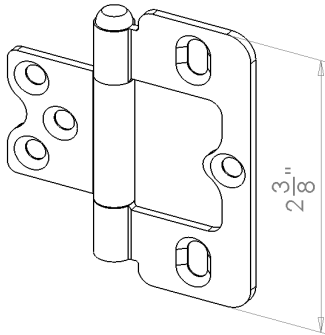
**Divider rail allowable deviations**

Louver Size	Allowable $\pm$ Deviation
1 $\frac{7}{8}$ "	$\frac{3}{4}$ "
2 $\frac{1}{2}$ "	1"
3"	1 $\frac{1}{4}$ "
3 $\frac{1}{2}$ "	1 $\frac{1}{2}$ "
4 $\frac{1}{2}$ "	2"

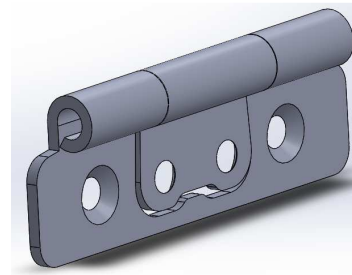
Hardware

Hinges

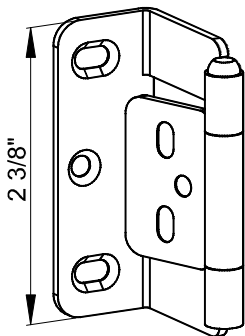
**2.375" Self-Mortise Hinge**



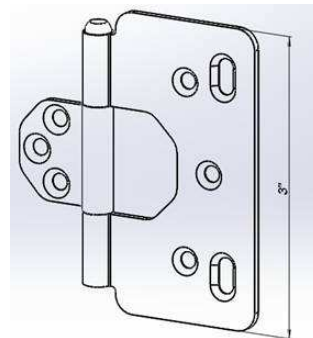
**2.375" Bi-fold Hinge**



**2.375" L Hinge**



**Direct Mount 3" Hinge**



Hinges are available in:

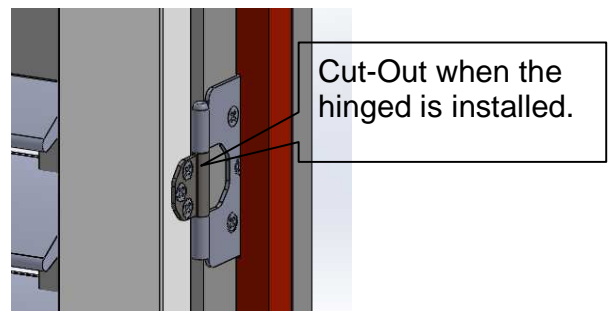
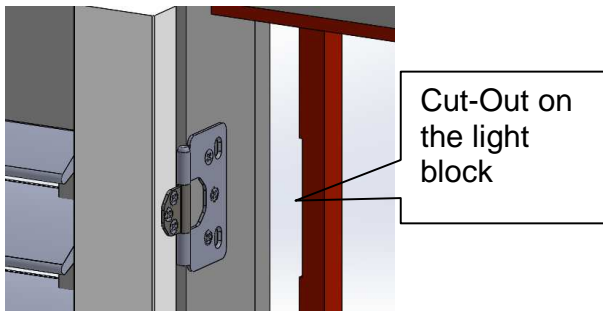
Pure White, Silk White, Bisque, Pearl, Bright Brass, Antique Brass, Black, Nickel plated, Brushed Nickel, Stainless Steel, Crisp Linen, String, Sea Mist, Stone Gray, Brown Gray, Taupe Gray. While hinge colors of Crisp Linen, String, Sea Mist, Stone Gray, Brown Gray, Taupe Gray are not available for Direct mount 3" Hinges.

North America does not offer the following hinge colors: Crisp Linen, String, Stone Gray, Brown Gray, Taupe Gray.

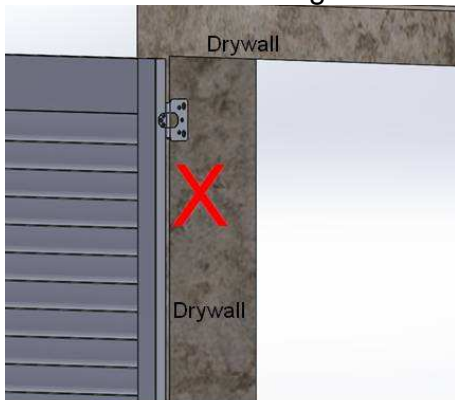
False hinges are not available.

➤ Direct Mount 3" Hinge:

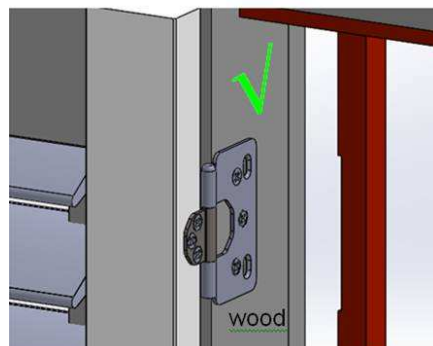
1. The hinge position of the direct mount 3" hinge will be different from that of the 2.375" ones. For shutters used both the 2.375" and the direct mount 3" hinge, the hinge position of the 2.375" ones will match that of the direct mount 3" hinge;
2. The hinge is only to install between the panel and the existing window. For other situation, 2.375" hinges will be used;
3. To avoid confliction, there will be cut-out for the light block of the hinged side. Please refer to the drawing below.



4. Direct Mount 3" Hinge is not suitable for drywall installations.



Direct Mount 3" hinge is not suitable for drywall installations. It's not recommended.

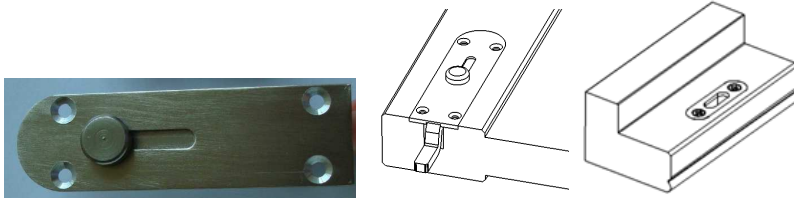


It's acceptable.

**Panel Lock: (not available for 1.625" Stile)**

Available Material: All

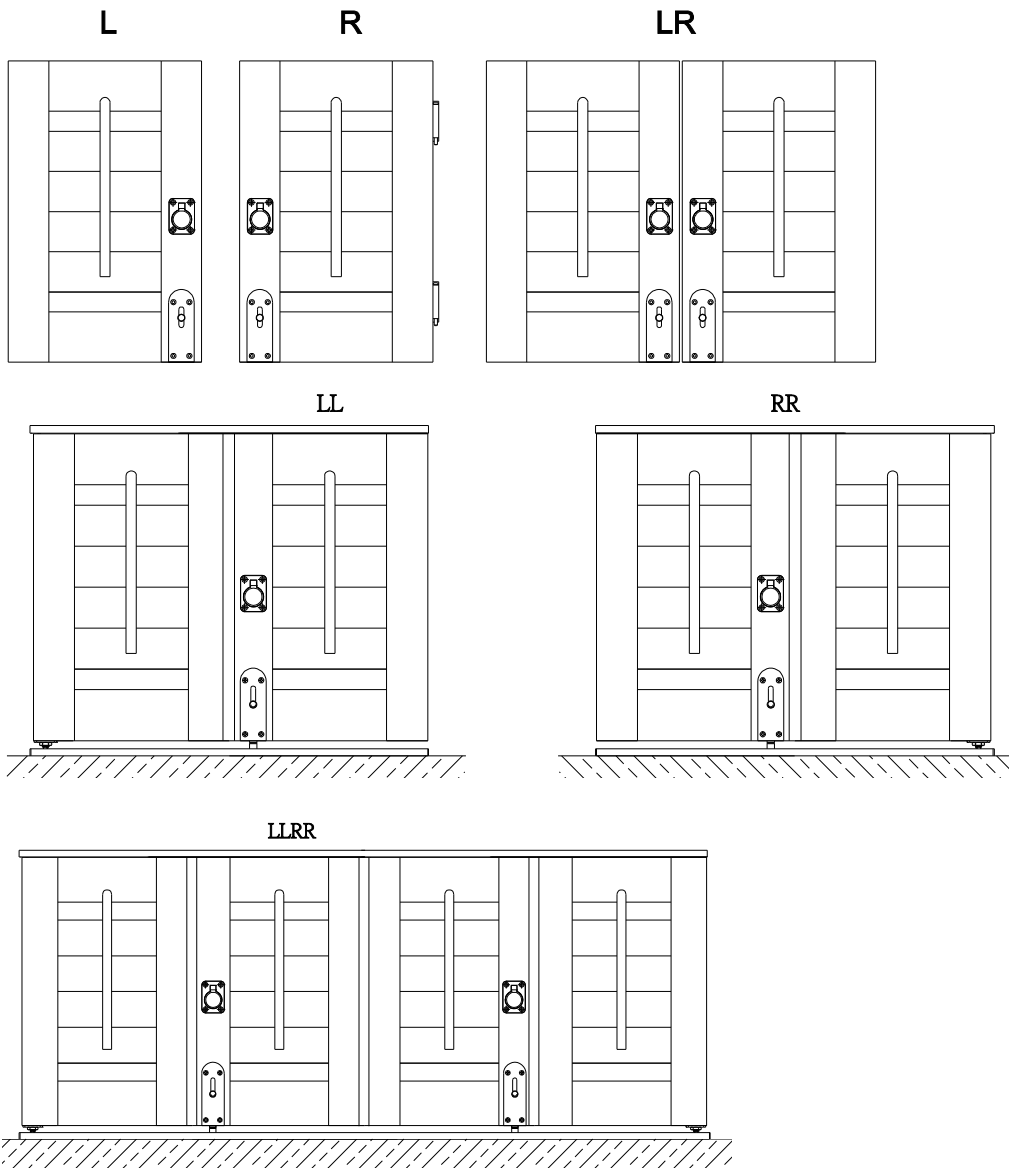
Color: Brush Nickel Plated, Pure White, Pearl, Black.



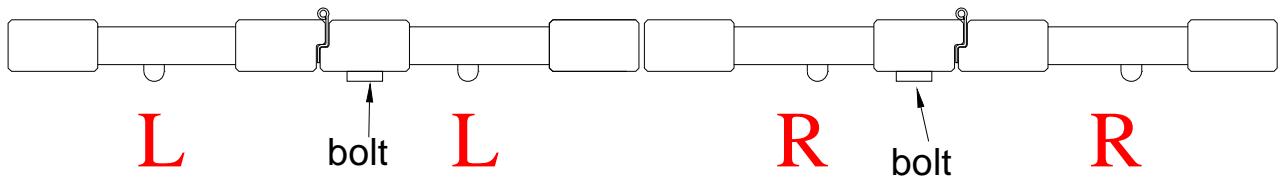
**Position:**

- Only available on Bottom for Track Shutters with Bottom Track.
- For Regular, available on Top/Bottom/both Top and Bottom.
- Café shutters can only have a panel lock at the bottom.

\*Some surcharges apply

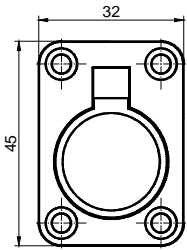


The Panel Lock location for both track system shutters and regular shutters would be the same. The general principle is that the Panel Lock position will avoid the stile which will install the spring-loaded guide at bottom (same stile as the Wheel carrier).



Ring pull: for easy opening and closing. (Not available for 1.625" Stile)

Available in all shutter programs.

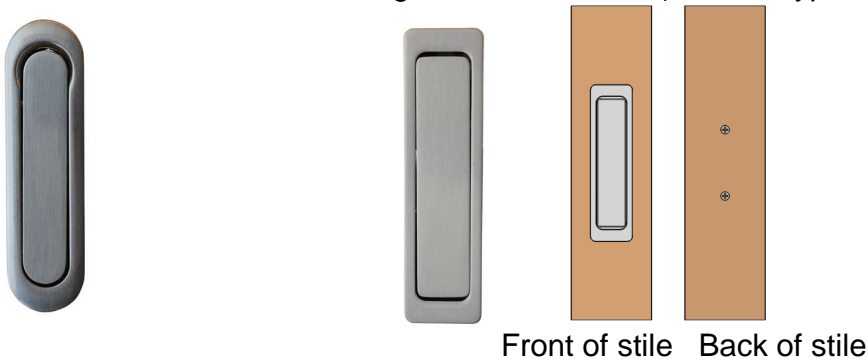


Handles (Not available for 1.625" Stile):

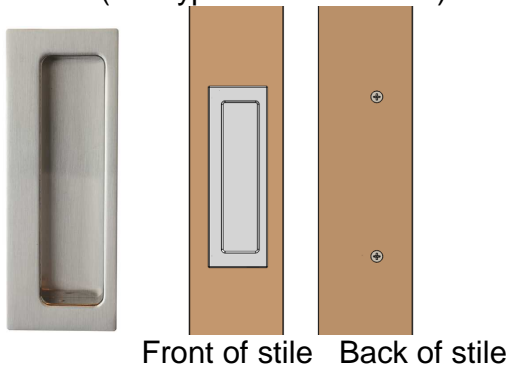
Available in all shutter programs.

Handle color options: White, Pearl, Black, Brushed Nickel.

Curved Hidden Handle & Rectangle Hidden Handle (for non Bypass track shutter)



Recessed Handle (for Bypass track shutter)



**Ring pull & Curved Hidden Handle & Rectangle Hidden Handle location principle for Floating Panels:**

1. When floating panel config is in pairs, it will be split into halves, the left will be for LL and the right will be for RR. So the ring pull / Curved Hidden Handle / Rectangle Hidden Handle location for FF/FF, FF/FF/FF/FF will be same as that of panel config as LL/RR, LL/LL/RR/RR.
2. When floating panel config is FF, the ring pull / Curved Hidden Handle / Rectangle Hidden Handle location will be same as that of panel config LL.

\*Some surcharges apply

3. When floating panel config is singular, it will be split into 3 sections, the left and mid sections are for LL and the right section is for RR. So the ring pull / Curved Hidden Handle / Rectangle Hidden Handle location for FF/FF/FF, FF/FF/FF/FF/FF will be same as that of LL/LL/RR, LL/LL/LL/RR/RR.

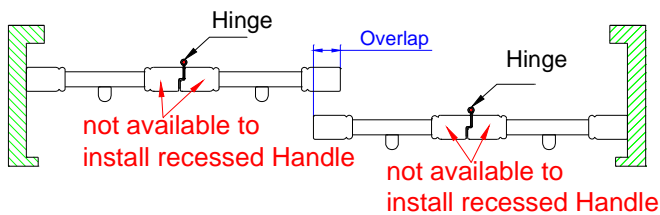
**Recessed Handle location principle for Bypass track shutters:**

Recessed Handle is not available for hinge connected stiles.

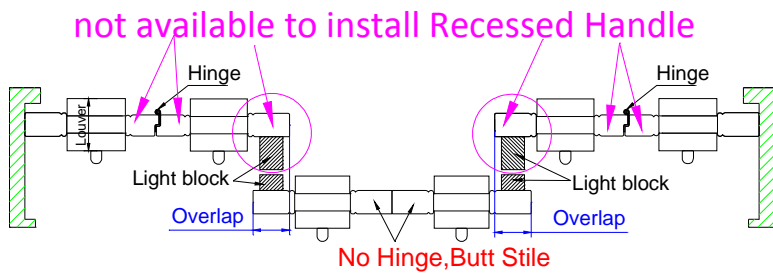
Panels on the rear track of an Open Bypass shutter that have panel light block or that have a connecting hinge are not able to have a recessed handle.

Take the following diagrams of the 4 panel side opener with Rabbet stile & 6 panel center opener with Rabbet stile as examples:

4 panels side open w/Rabbet stile



6 panels center open front w/Rabbet stile



Please note the ring pull / handles color will match with the hinge color.

Please see the matching chart below:

Hinge color	Pure White	Silk White	Bisque	Pearl	Black	Nickel Plated	Brushed Nickel	Antique Brass	Bright Brass	Stainless Steel
Ring Pull color	White	White	Bisque	Pearl	Black	Brushed Nickel	Brushed Nickel	Antique Brass	Bright Brass	Brushed Nickel
Handles color	White	White	Pearl	Pearl	Black	Brushed Nickel	Brushed Nickel	Brushed Nickel	Brushed Nickel	Brushed Nickel

Hinge color	Crisp Linen	String	Sea Mist	Stone Gray	Brown Gray	Taupe Gray
Ring Pull color	Bisque	Bisque	Brushed Nickel	Brushed Nickel	Brushed Nickel	Brushed Nickel
Handles color	Pearl	Pearl	Brushed Nickel	Brushed Nickel	Brushed Nickel	Brushed Nickel

- The ring pull colors and Handles colors are selectable.

\*Some surcharges apply

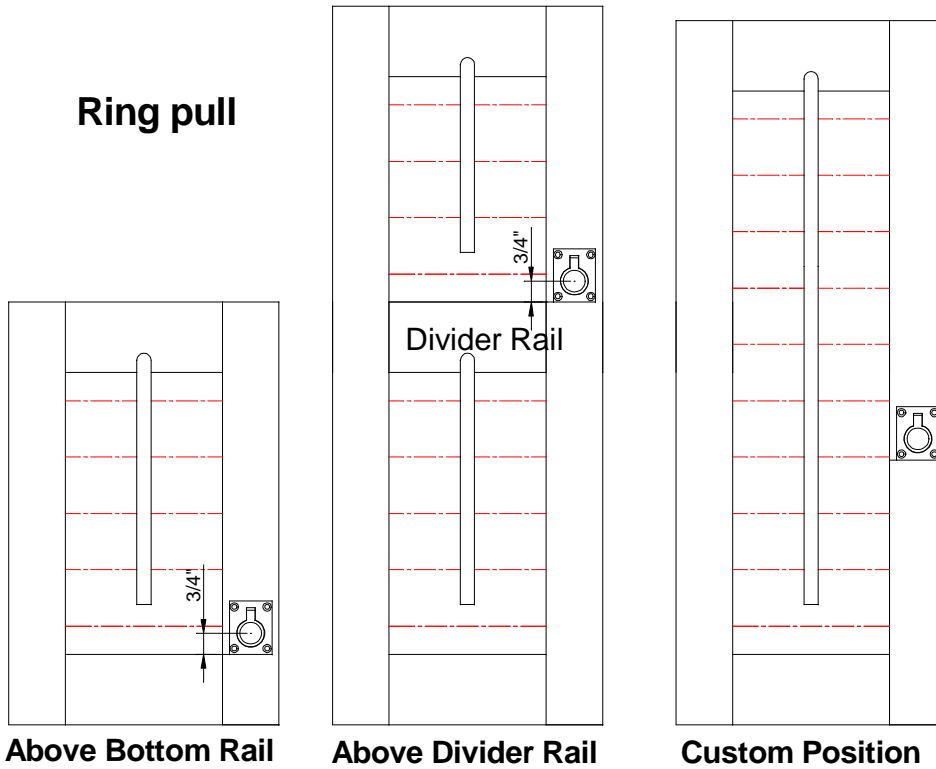
**Paint colors (Solid colors) (6) :**

No.	Color ID	Color Name	2.375" Hinge color (Default)	Direct Mount 3" Hinge color (Default)	T post connector color (Default)	Ring pull color (Default)	Curved Hidden Handle / Recessed Handle / Rectangle Hidden Handle color (Default)	Panel Lock (Default)	New Top & Bottom Tracks color (Default)	Dovetail Key Color (Default)
1	001	Pure White	Pure White	Pure White	Pure White	White	White	Pure White	Bright White	White
2	002	Extra White	Silk White	Silk White	Silk White	White	White	Pure White	Bright White	White
3	003	Silk White	Silk White	Silk White	Silk White	White	White	Pure White	Bright White	White
4	006	Pearl	Pearl	Pearl	Pearl	Pearl	Pearl	Pearl	Bright White	White
5	032	Sea Mist	Sea Mist	Nickel Plated	Nickel Plated	Brushed Nickel	Brushed Nickel	Brush Nickel Plated	Metallic Gray	White
6	063	Decorator's White	Silk White	Silk White	Silk White	White	White	Pure White	Bright White	White

- When the bottom track colors are bright white and metallic gray, the default spring loaded guide color will be white; When the bottom track colors are bronze and black, the default spring loaded guide color will be coffee.

Position: For different panel configuration, please refer to the location of Panel Lock to show on which stile the pull will be fixed.

**Ring pull**



Position:

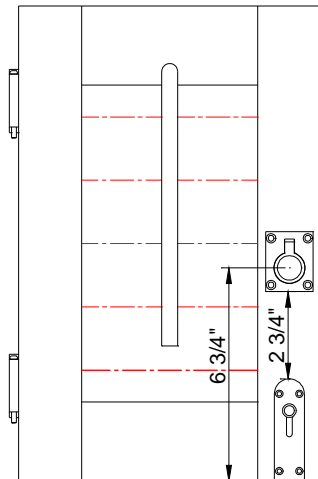
- A. Above Bottom Rail
- B. Above Divider Rail / Center of panel
- C. Custom Position

If both Panel Lock & ring pull are specified, the distance between them is 2 3/4", and the ring pull location is 6 3/4" from the bottom of panel.

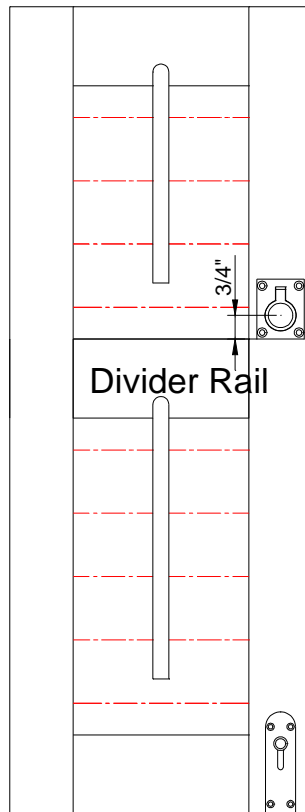
When there is no mid rail, ring pull will be just on the top of Panel Lock (2 3/4" above Panel Lock) as default location; if there are mid rails, bottom of ring pull lines up with top of the 1<sup>st</sup> mid rail as default location.



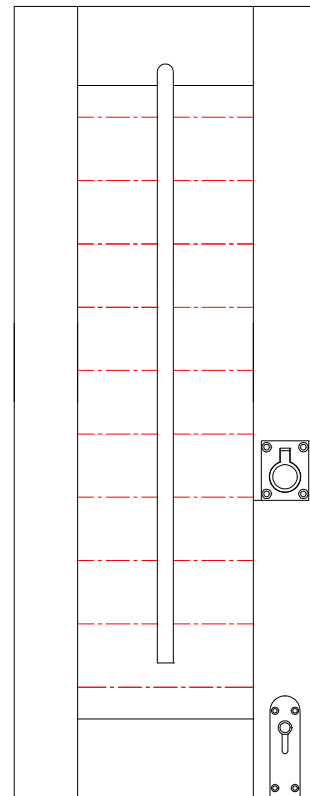
## Ring pull



**Above Panel Lock**



**Above Divider Rail**



**Custom Position**

### Position:

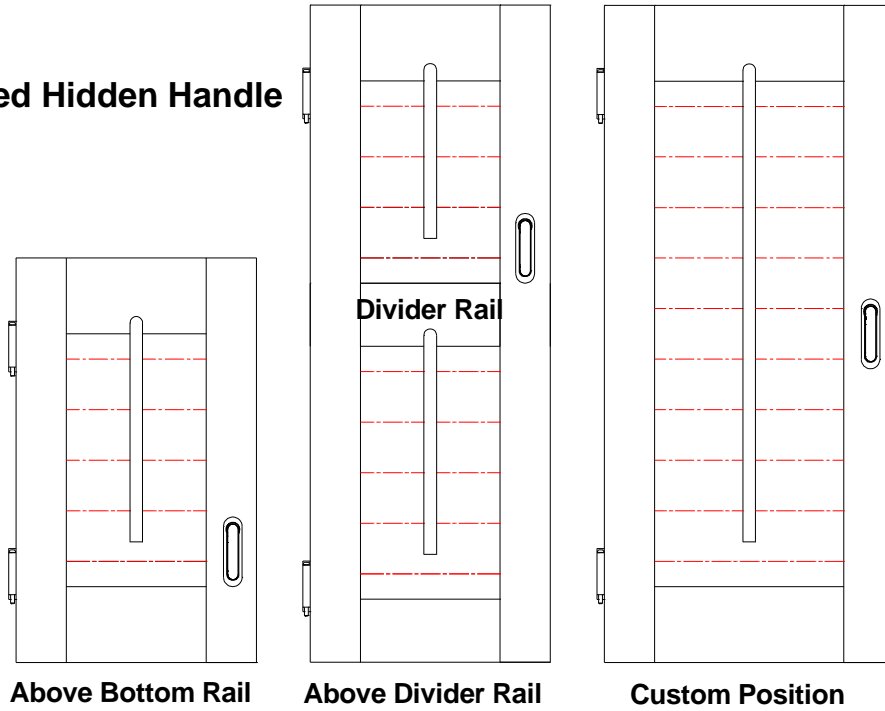
- A. 2 3/4" Above Panel Lock
- B. Above Divider Rail / Center of panel
- C. Custom Position

### Measurements:

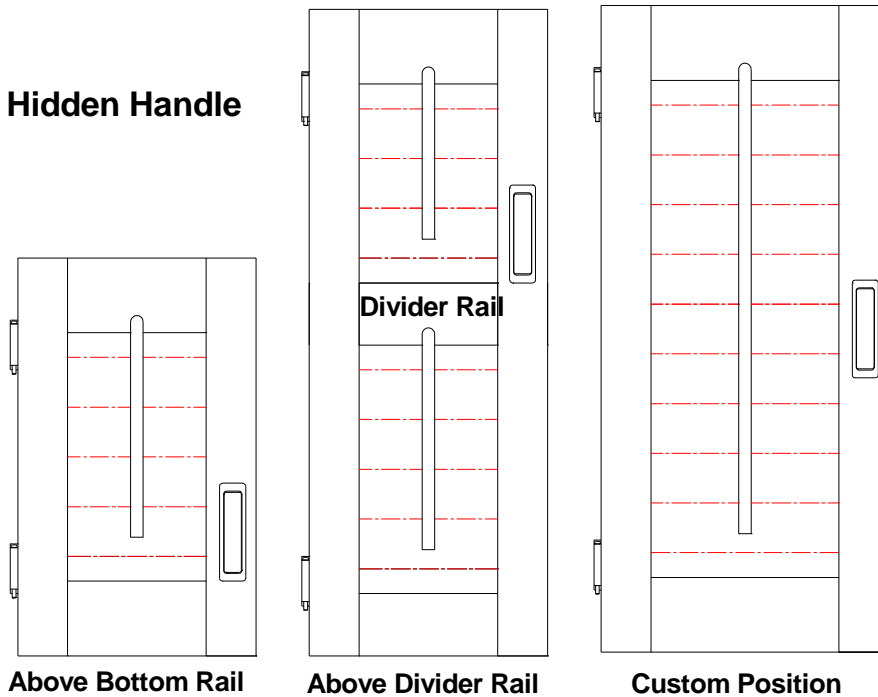
- Window size:
  - Measure from the bottom of the window to the center of the ring pull.
- Max frame-to-frame:
  - Measure from the bottom of the frame to the center of the ring pull.

Position: For different panel configuration, please refer to the location of Panel Lock to show on which stile the Handles will be fixed.

**Curved Hidden Handle**



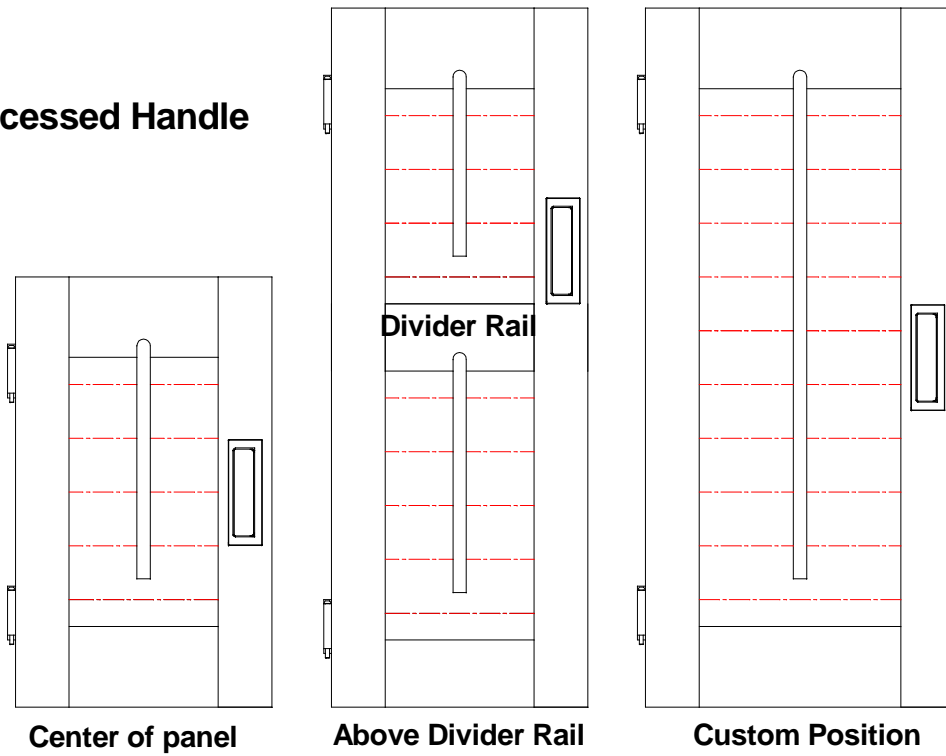
**Rectangle Hidden Handle**



Position:

- A. Above Bottom Rail
- B. Above Divider Rail / Center of panel
- C. Custom Position

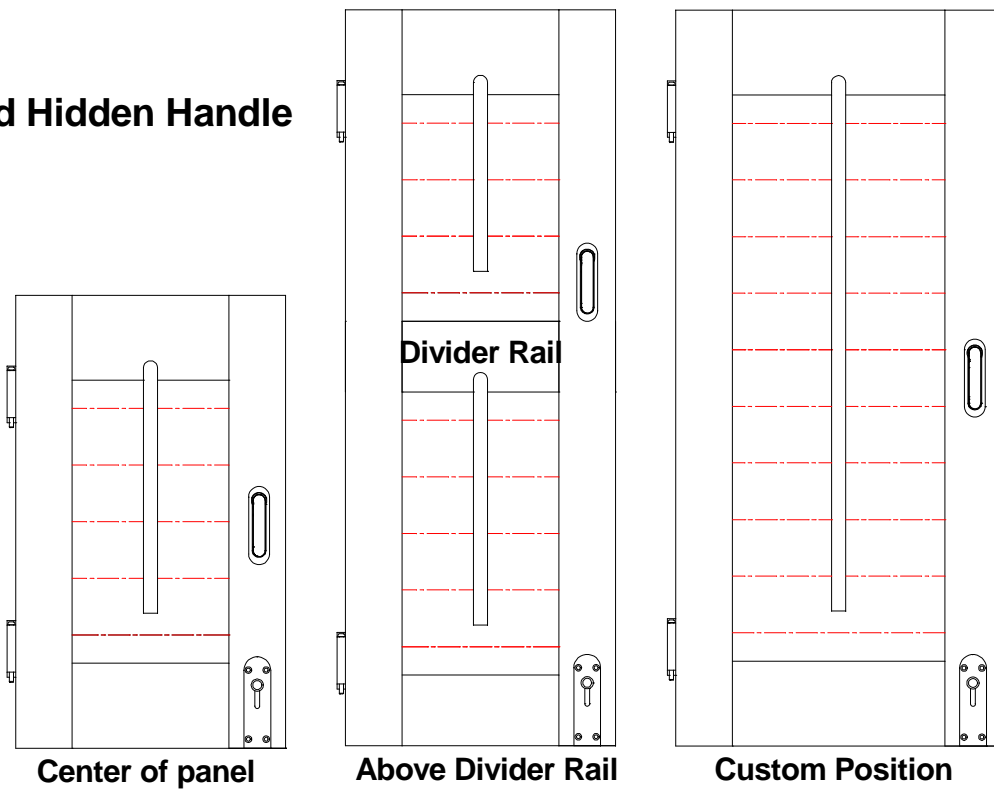
**Recessed Handle**



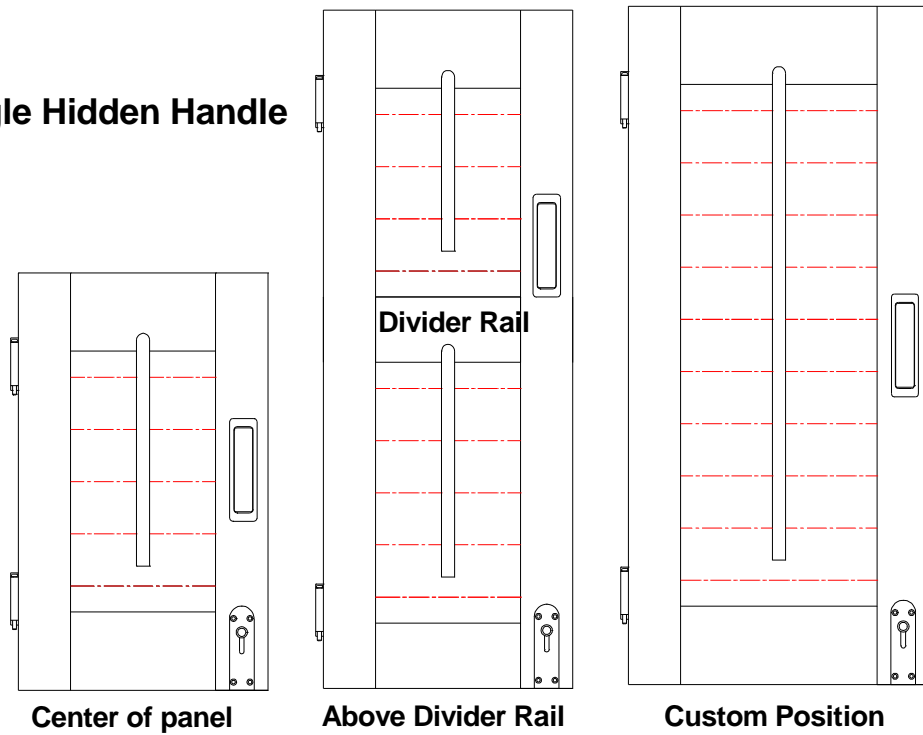
Position:

- A. Center of panel
- B. Above Divider Rail
- C. Custom Position

**Curved Hidden Handle**



**Rectangle Hidden Handle**



Position:

- A. Center of panel
- B. Above Divider Rail
- C. Custom Position

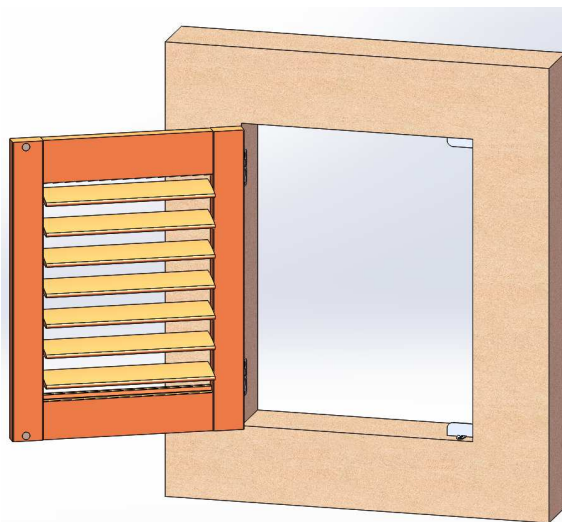
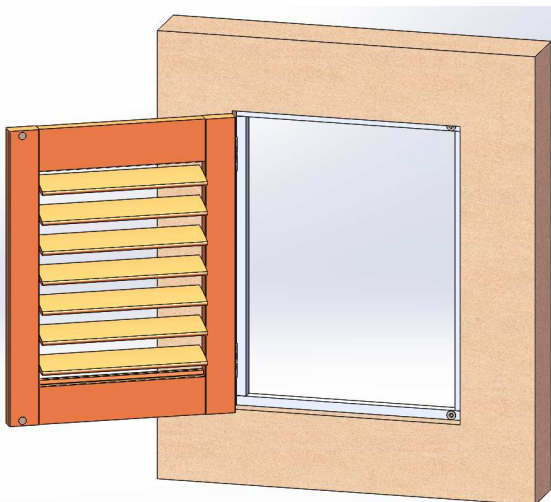
**Measurements:**

- Window size:
  - Measure from the bottom of the window to the center of the Handles.
- Max frame-to-frame:
  - Measure from the bottom of the frame to the center of the Handles.

**Mount Options for Direct Mount:**

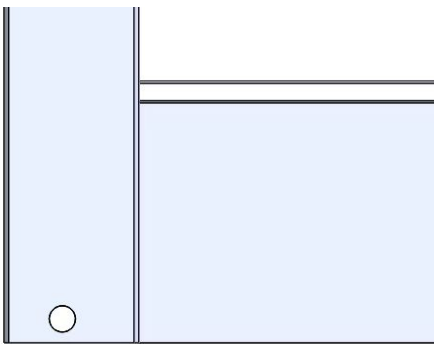
Light block

L magnet catch



\*Some surcharges apply

- A Direct Mount shutter that does not have a top and/or bottom sill option is able to use “Light Block”, “L magnet catch” or “Light block & L magnet catch” options.
- “Light Block”, “L magnet catch” or “Light block & L magnet catch” options can be used for Hang Strip shutters that have the following frame configurations:
  - 2-sided Hang strip IM that does not have a top and/or bottom sill option;
  - 2-sided Hang strip OM that does not have a top and/or bottom sill option;
  - 3-sided Hang strip OM that does not have a bottom sill option;
  - 3-sided Inverted Hang strip OM (hang strip beside the panel) that does not have a top sill option;



Magnet (recessed into panels)



Round Magnet Catch (installed on light blocks)

L Magnet Catch (sill magnet catch): used for catching the magnets when ordering panels without light blocks.



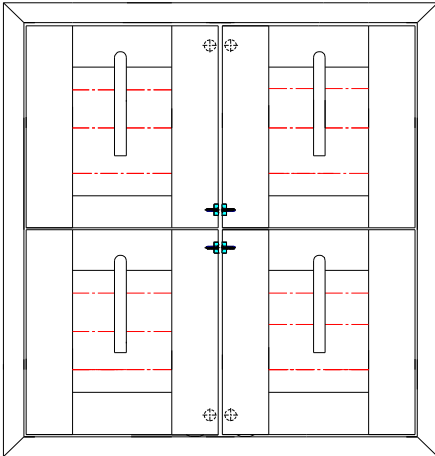
Round Magnet Catch and L Magnet Catch are available in:  
Pure White, Silk White, Bisque, Pearl, Bright Brass, Antique Brass, Black, Nickel plated, Crisp Linen, String, Sea Mist, Stone Gray, Brown Gray, Taupe Gray.

## Side Magnet

Available for Butt, Rabbet and Astragal stile; Side Magnets will be applied in the following situation:

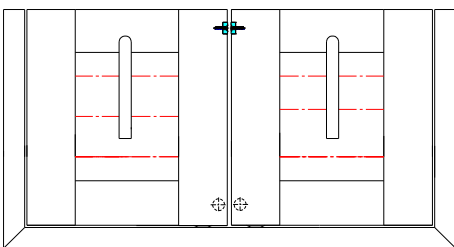
1. Double Hung shutter but without horizontal T post:

Side magnets will be applied to the meeting stiles of the L and R panel. (Default)



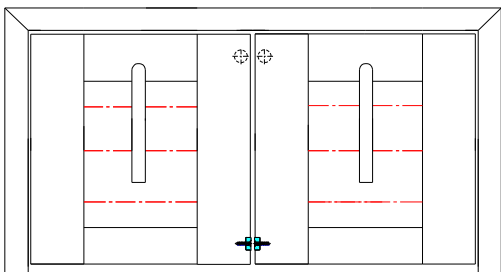
2. Café Shutter

Side magnets will be applied to the meeting stiles of the L and R panel. (Default)



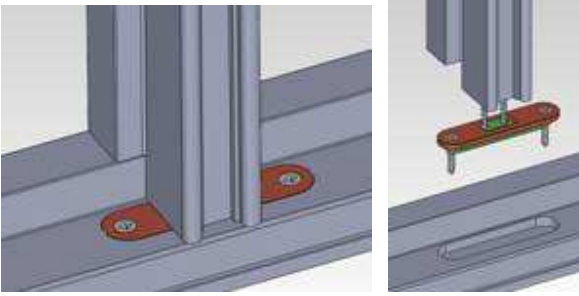
3. No frame or light block or L-shape striker plate on either top or bottom, or if larger than standard top or bottom gap is requested.

Side magnets will be applied to the meeting stiles of the L and R panel. (Optional)



4. Note: if panels only with side magnets and there is no standard magnet on the back of panels, panels may open for external factors.

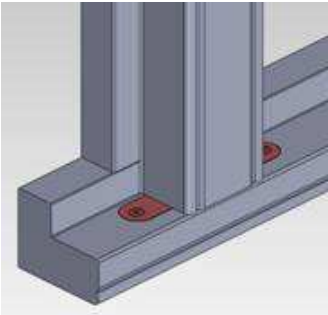
T-Post Connector



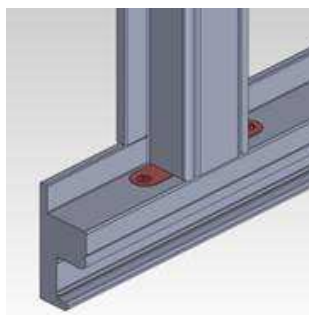
- . Available colors: Pure White; Silk White; Pearl; Bisque; Black; Nickel-Plated.
- . Available for all types of T Posts (custom-width T posts excluded).

**T Post Connector can be used with the following Frames.**

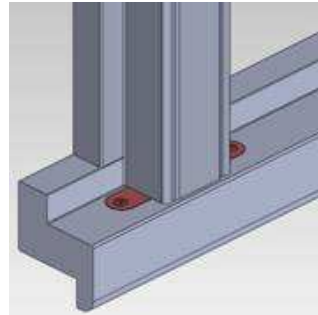
**L Frame:**



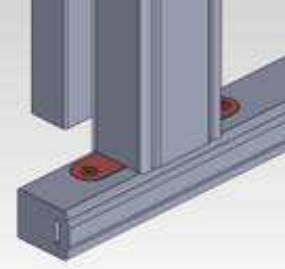
**Deco Frame:**



**Z Frame:**



**Hang Strip (Beside)**

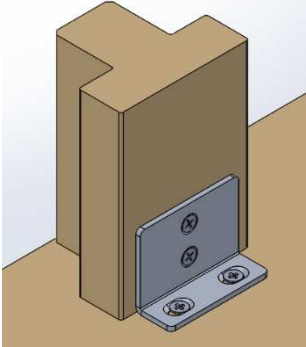


**Note:**

1. For Horizontal T Post, Hang Strip (Behind) and shutter with 1.6"/2" Sill, T Post connector is not available and T Post will be installed by screws instead;
2. If there is a panel lock which may interfere with the T-Post connector, all the T-Posts for the entire shutter will be installed with screws and the frames to be pre-drilled, even in cases where the panel lock may only interfere with one T-Post;
3. The screw color is nickel-plated regardless of the color of the T Post connector;
4. T post connectors can only be installed on a straight piece, and screws will be used instead for T Post installed on a curved or raked piece.

L Bracket 44mm (It is used when the T Post Connector is not available.)

Available colors: White, Silver

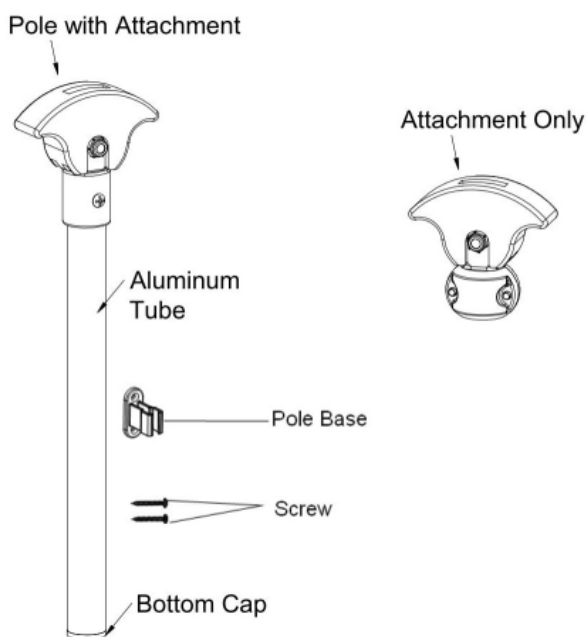


Paint colors (Solid colors) (6) :

No.	Color ID	Color Name	L Bracket 44mm color (Default)
1	001	Pure White	White
2	002	Extra White	White
3	003	Silk White	White
4	006	Pearl	Silver
5	032	Sea Mist	Silver
6	063	Decorator's White	White

## Optional Poles:

### 1. Terminology



\*Some surcharges apply



**Component**

<b>NO.</b>	<b>Name</b>	<b>Note</b>
1	Pole with Attachment	Aluminum Tube, Pole Base and Bottom Cap included *Surcharge applies.
2	Attachment only	● Compatible with extension poles found in most home improvement stores. ● Screw thread (3/4") and thread pitch (1/5") *Surcharge applies.

2.Available Pole Length

Two lengths available:

- 36"
- 60"

## Bi-fold 180™

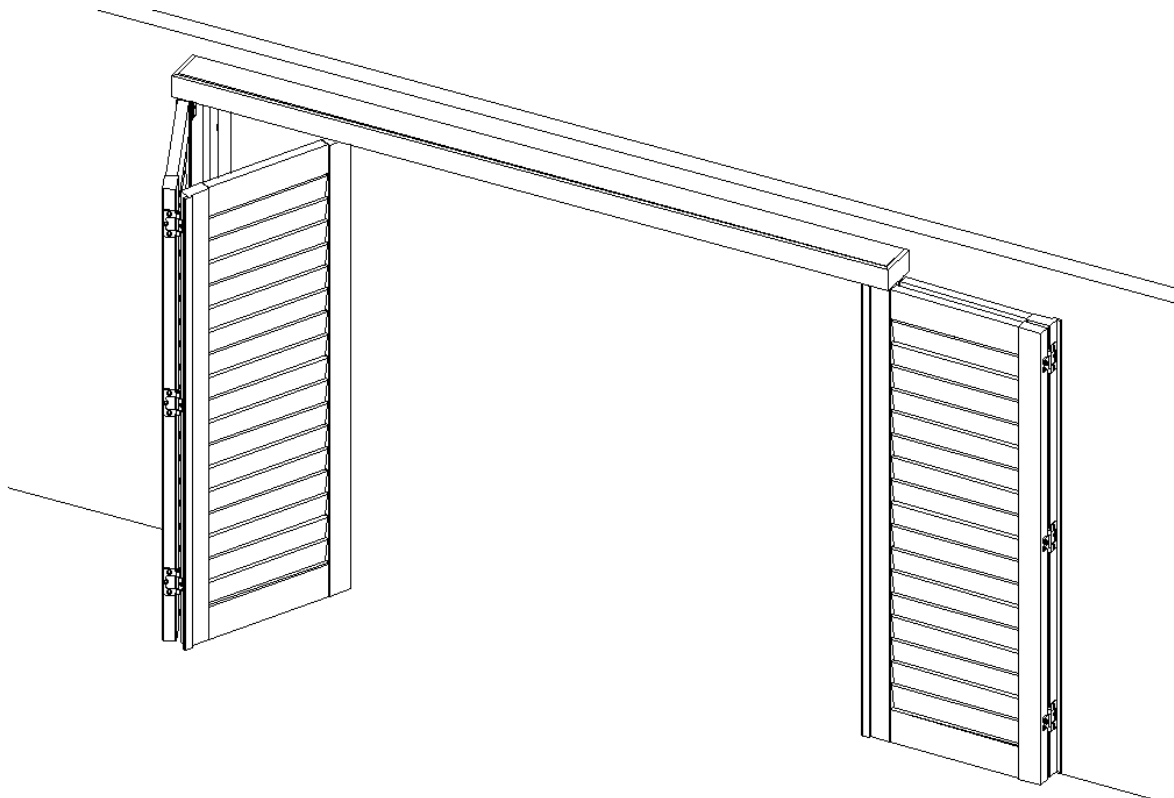
Guidelines and Specs:

<u>Description</u>	<u>Minimum</u>	<u>Maximum</u>
Single-Panel Width (Bi-fold Track)	6"	24"
Single-Panel Width (LLL/RRR)	N/A	N/A
Single-Panel Height	10"	120"

### Outside Mount

Max frame-to-frame width: window width + 3 1/2"

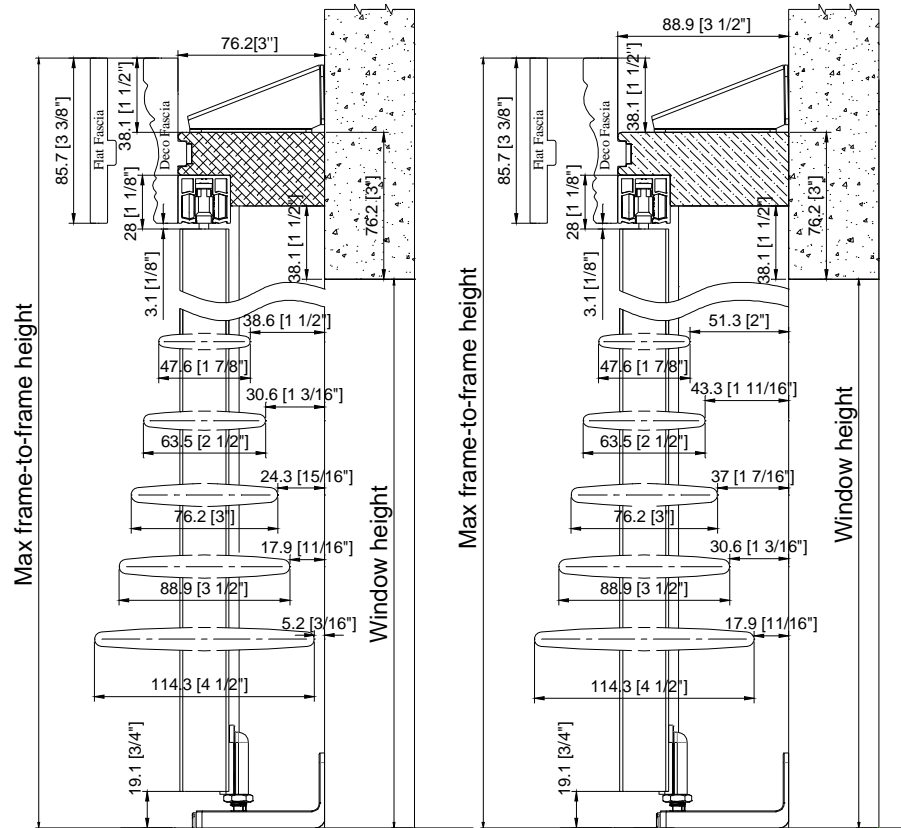
Max frame-to-frame height: window height + 4 1/2"



Track is pre-installed on the header; standard 1 track only.

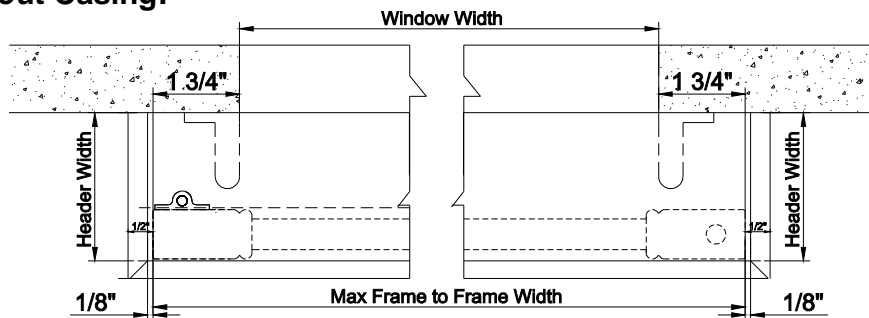
Mounting Options: Outside Mount only

Side View



Top View

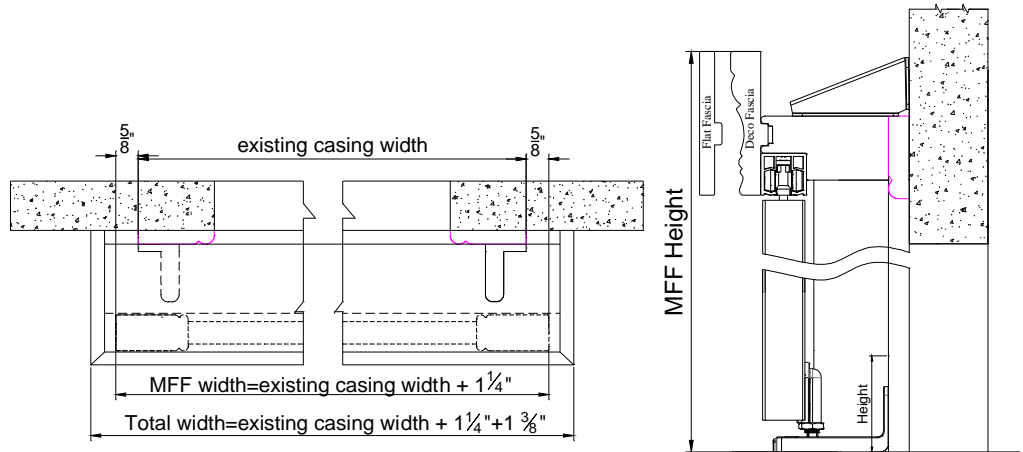
Without Casing:



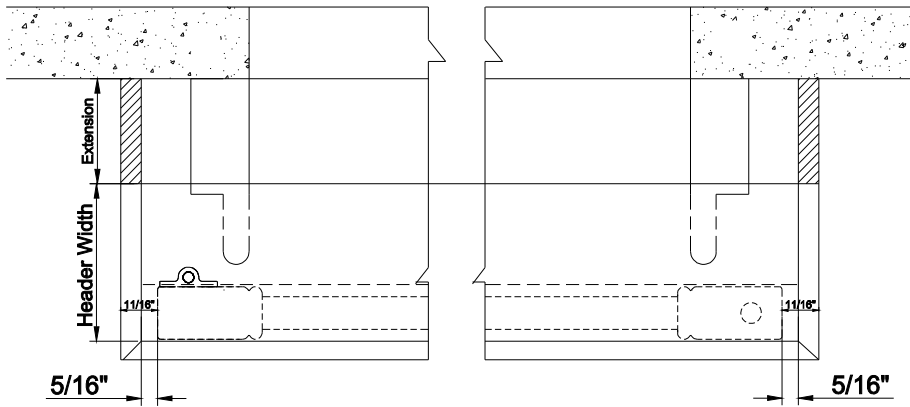
Note:

- ◇ Fascia return will protrude the panel about 1/2" for each side.
- ◇ The header will protrude the panel about 1/8" for each side.
- ◇ Header, light blocks, and bottom pivot bracket(s) must be installed on a flat surface.

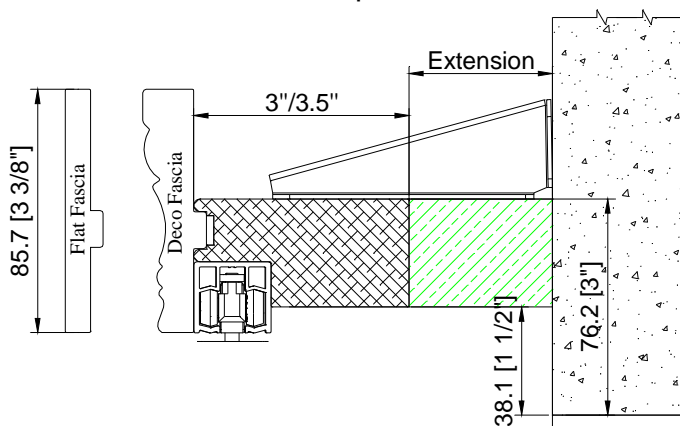
## With Existing Casing:



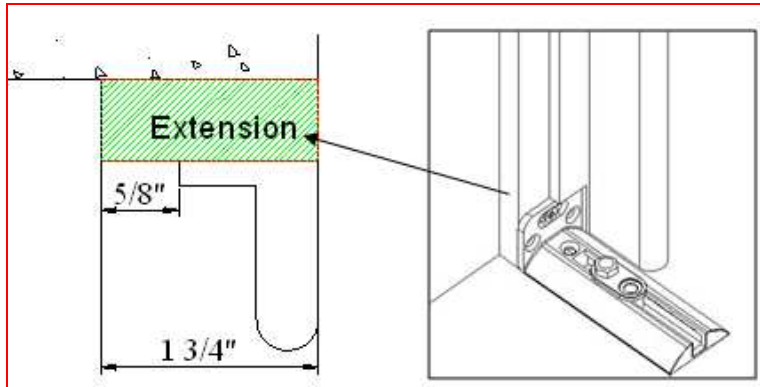
- ✦ Header Extension: Optional
- ✦ Custom extension up to 2" for Header
- ✦ When extension is needed, the header will protrude the panel 5/16" for each side and the fascia return will protrude the panel 11/16" for each side.



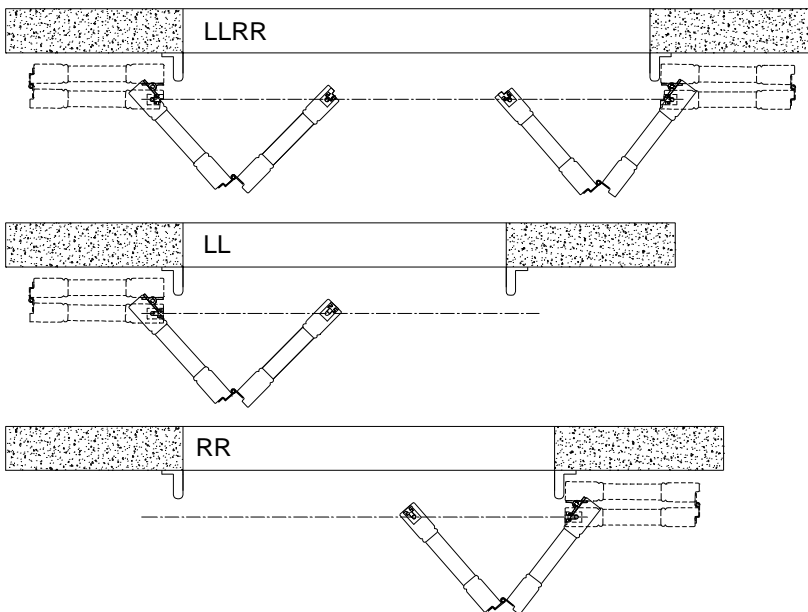
- ✦ The extension will be pre-attached.



For 180 Bi-fold, if Bottom Pivot L Bracket is required, the extension for the L shape light block will be 1 3/4" in width. Please see picture below:



**Panel Configuration : Only 2", 2 1/4" rabbet and butt stiles are available. Center stile is not available.**



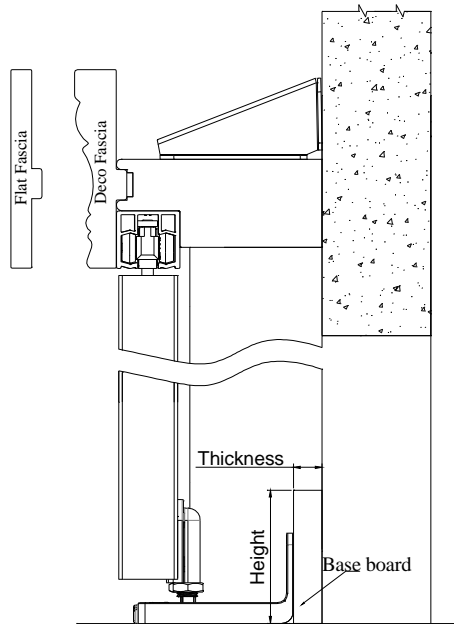
**Notes:**

If there is no baseboard to the wall, 3" header can be used.

If there is baseboard to the wall, then it should be as below:

1. If base board thickness is less or equal to 5/8", 3 1/2" header can be used.
2. If base board thickness is over 5/8", it is suggest using the 3" header with build out. And the build out thickness=base board thickness-1/8".

Please see the drawing below:



180° Bi-fold Track Shutters Framing Materials

Type	Header Dimension	Top Fascia Dimension	L Shape Light Block Strip Dimension
Header & Top Fascia & Light Block Strip	3"	3 3/8"	1 9/16"
	3 1/2"		2 1/16"

180° Bi-fold Track Shutters Hardware Box

Parts
Wrench
Hinge Pin
Triangle Bracket (based on the length of header)
2" screws for Triangle Bracket
3/4 " screws for Triangle Bracket
Bottom Pivot Bracket
1 1/2 " screws for bottom pivot bracket
2 1/2 " screws for Frame with predrilled screw holes

## Bi-fold 90

Guidelines and Specs:

<u>Description</u>	<u>Minimum</u>	<u>Maximum</u>
Single-Panel Width (Bi-fold Track)	6"	24"
Single-Panel Width (Multifold track up to 4 panels)	N/A	N/A
Single-Panel Height	10"	120"

### Outside Mount

Max frame-to-frame width: window width + 3 1/2"

Max frame-to-frame height: window height + 4 1/2"

### Semi-Inside Mount

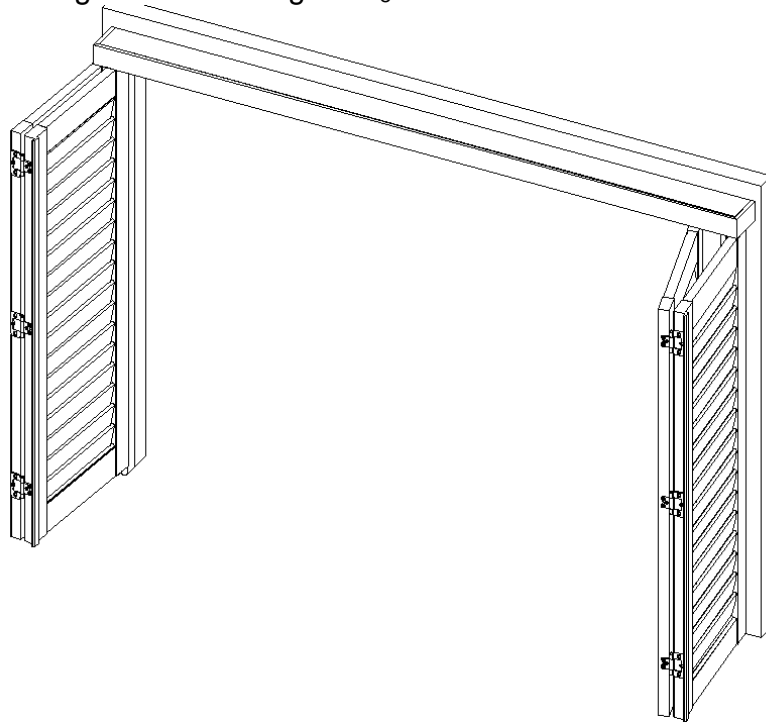
Max frame-to-frame width: window width - 1/8"

Max frame-to-frame height: window height + 1 3/8"

### Inside Mount

Max frame-to-frame width: window width - 1/8"

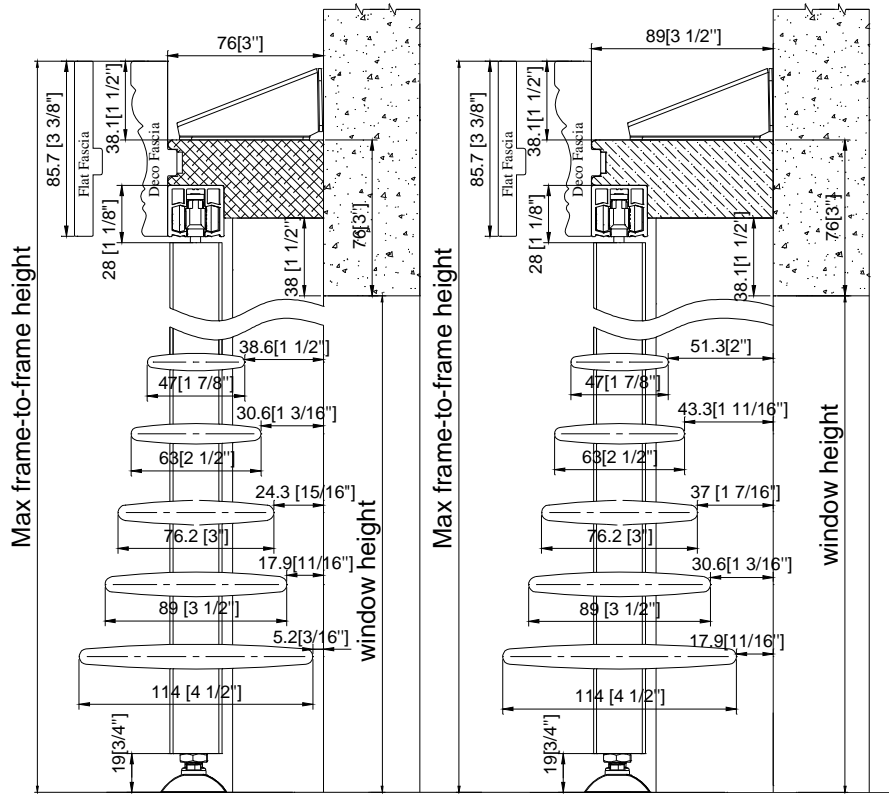
Max frame-to-frame height: window height - 1/8"



Track is pre-installed on the header; standard 1 track only.

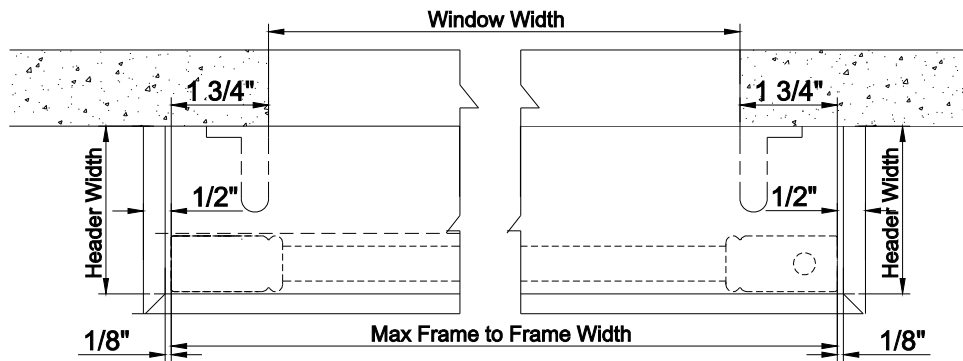
Mounting Options: Outside Mount

Side View



Top View

Without Casing:

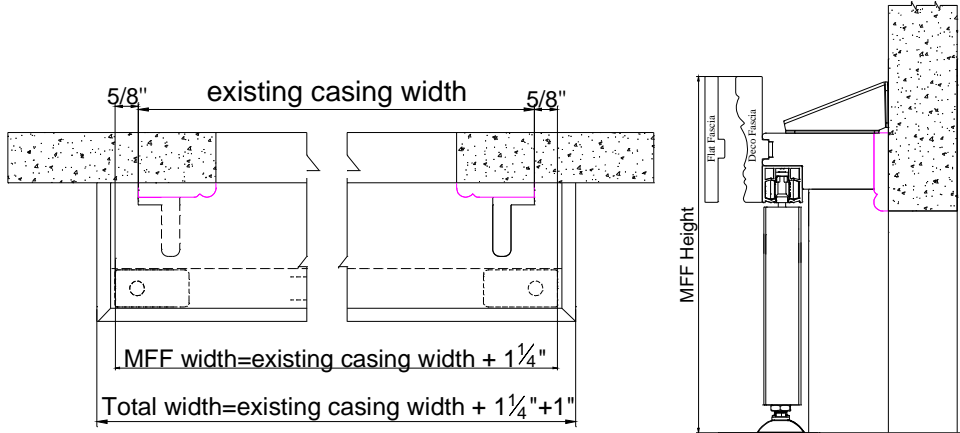


Note:

- ◇ Fascia return will protrude the panel about 1/2" for each side.
- ◇ The header will protrude the panel about 1/8" for each side.
- ◇ Header, light blocks, and bottom pivot bracket(s) must be installed on a flat surface.

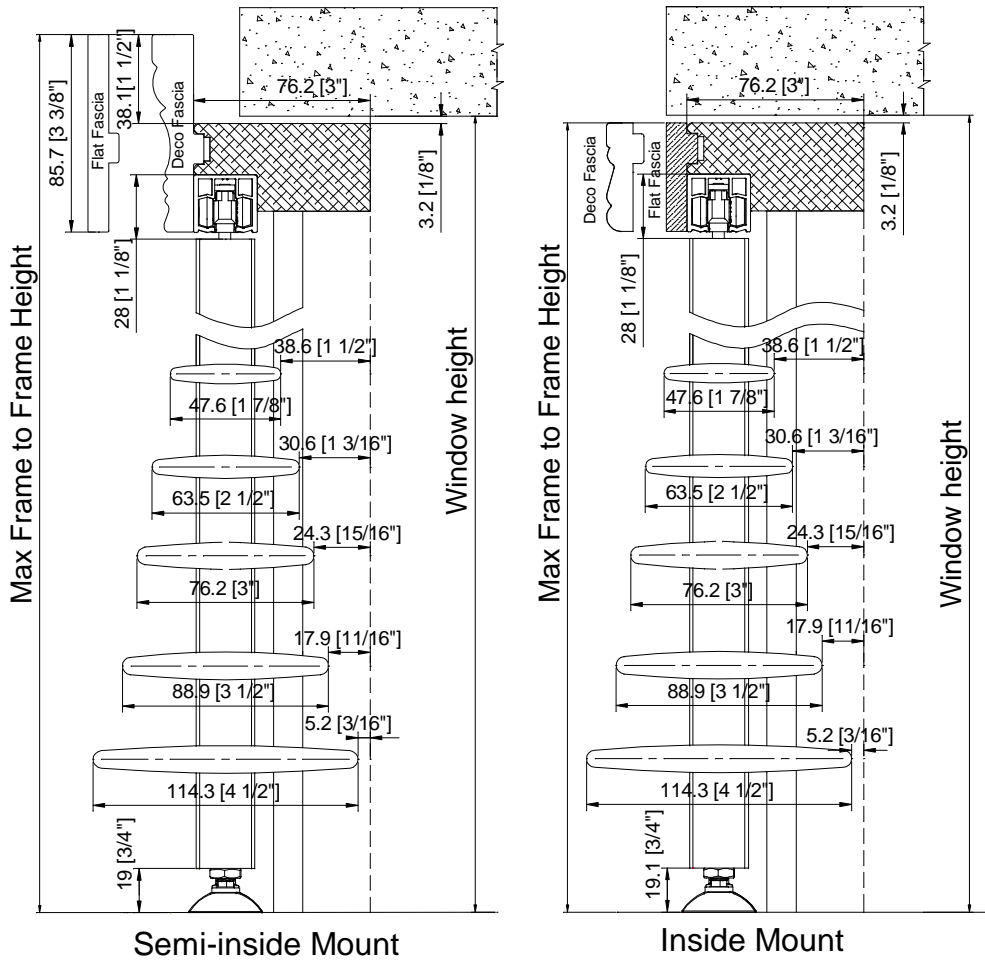


**With Existing Casing:**

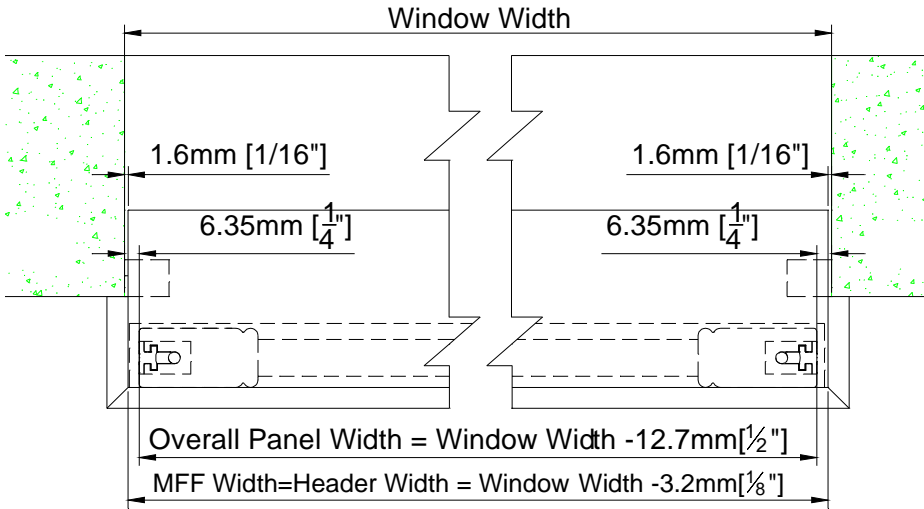


**Semi-Inside/Inside Mount**

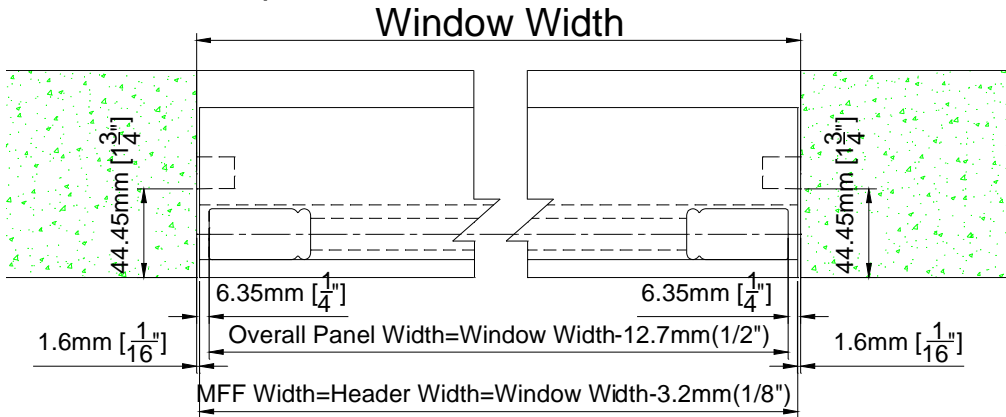
**Side View**



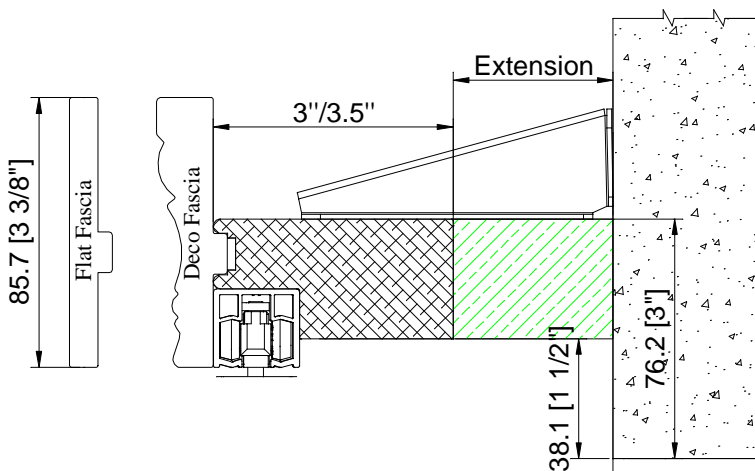
Semi-Inside Mount Top View



Inside Mount Top View

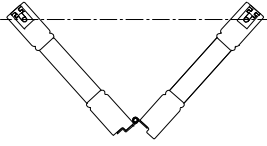


- ✧ Header Extension: Optional.
- ✧ Custom extension up to 2" for Header
- ✧ The extension will be pre-attached.

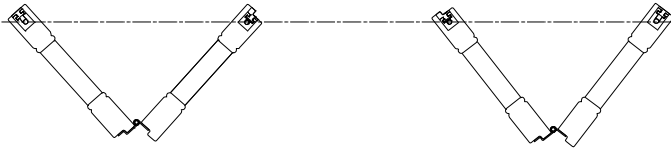


**Panel Configuration: Only 2", 2 1/4" rabbet and butt stiles are available.  
Center stile is not available.**

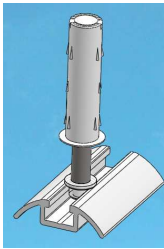
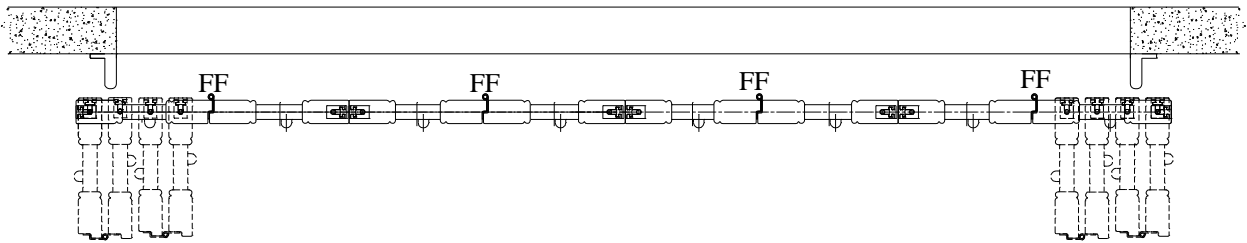
LL or RR



LLRR



## 90° Floating Panels



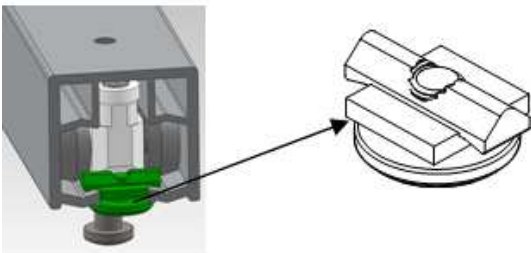
- Two panels can be hinged together, fold and slide to either direction
- Application comes with wheel carrier, spring loaded guide and floor track
- Can be used on large window

### Note:

1. For 90° Floating Panels outside mount/semi-inside mount without side boards, the 2016 Stopper will be supplied by default. The gap between the fascia return / end of top track and the panel is 5mm each side.

The 2016 stopper can also be used in the center or any position of the top track as an option.

## 2016 Stopper



Please see drawing below to show the gap.



2. When rabbet stile required, the meeting stile of unhinged stile will be butt stile by default.

**90 degree Bi Fold Track Shutters Framing Materials**

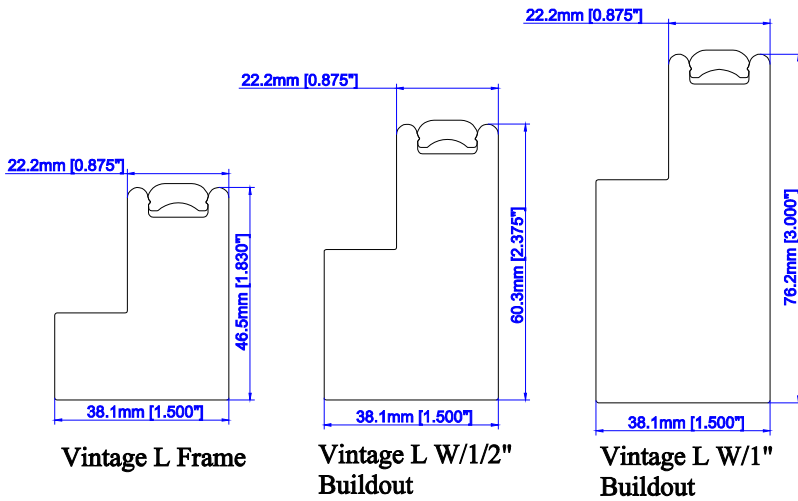
Type		Header Dimension	Top Fascia Dimension	Light Block Strip Dimension
Header & Top Fascia & Light Block Strip	OM	3"	3 3/8"	1 9/16"
		3 1/2"		2 1/16"
	Semi-IM	3"	5/8"x3/4"	
	IM	3"	1 7/8"	5/8"x3/4"

Note: It will be L shape light block strip for outside mount.

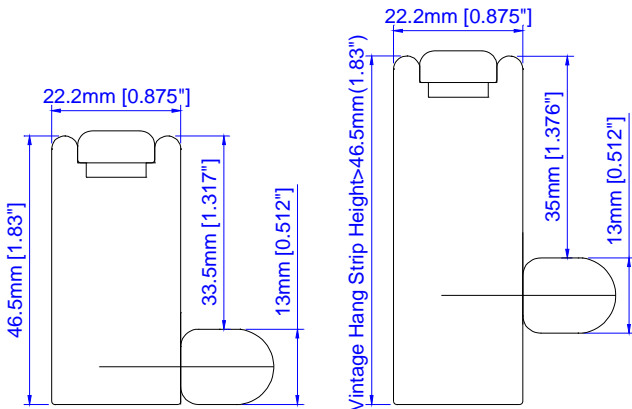
# Frame Hinged Bifold

Available Stile: Rabbet Stile Only

Available Frame type

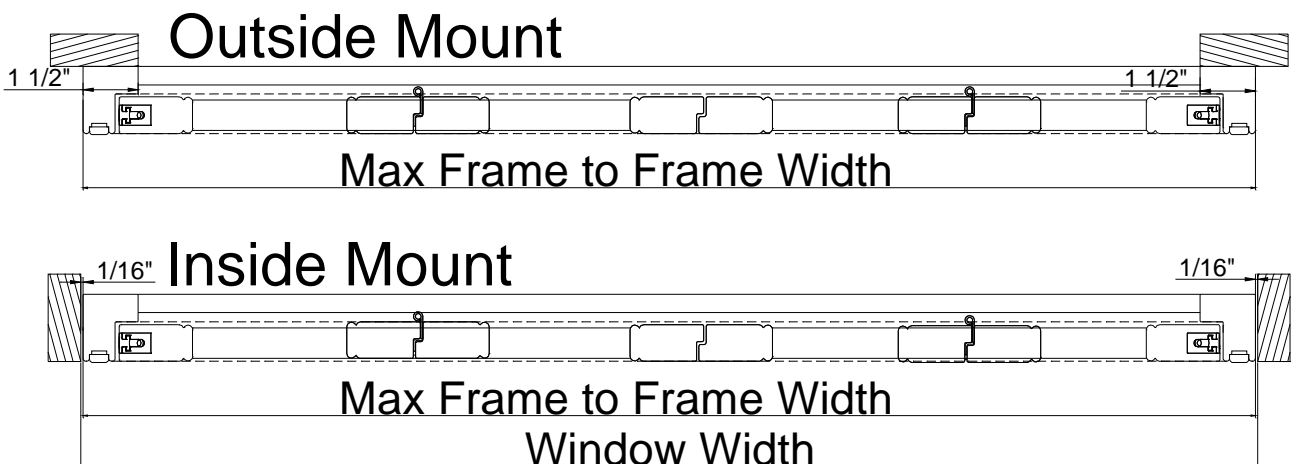


**Vintage Hang Strip with 13mm light block:** For single direction shutter with even panel qty, the frame on the unhinged side will be Vintage Hang Strip with 13mm [0.512"] light block, the height of the Vintage Hang Strip will match with that of the hinged side frame. The Vintage Hang Strip will be made in wood with surcharge.



## Top View

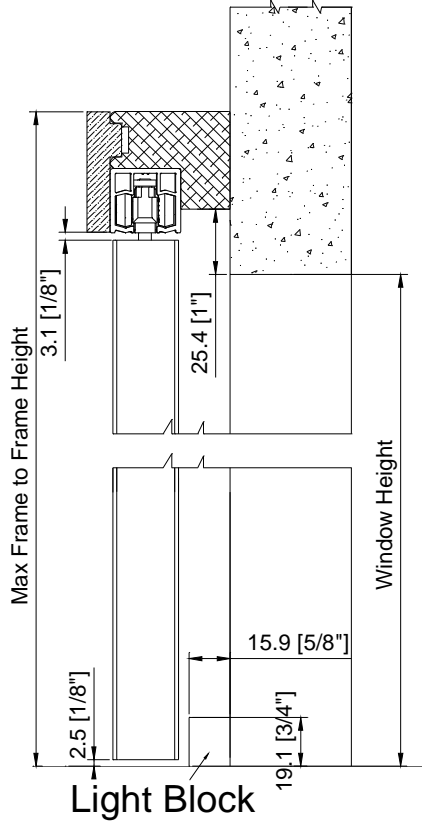
Hinged at Left or Right with wheel assembly at top;



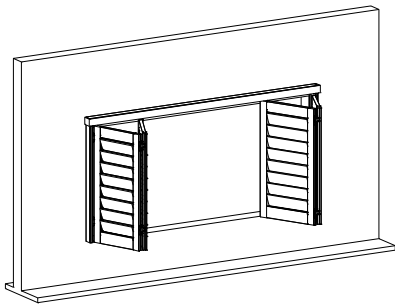
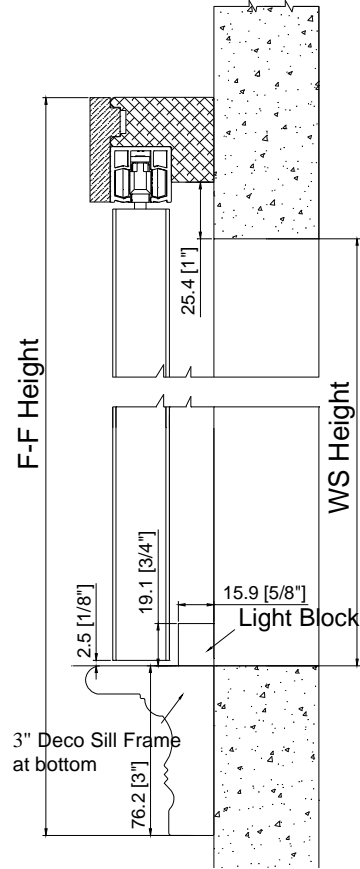
**Side View**

Outside Mount

3-Sides + bottom light block

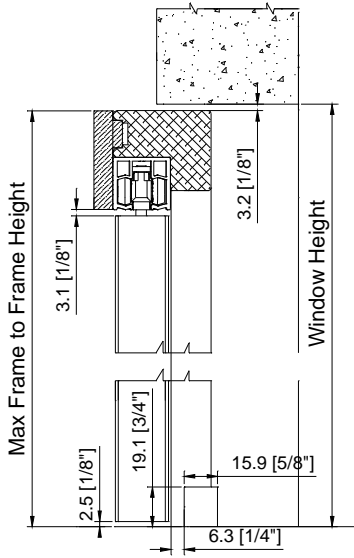


3-Sides + 3" Deco Sill Frame

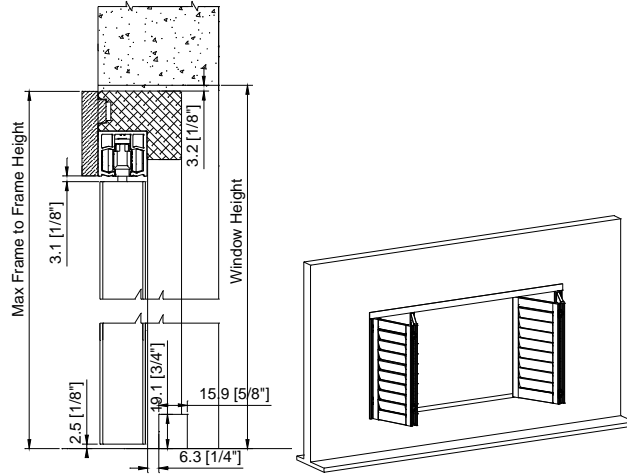


Note: For OM Frame Hinged Bifold shutter not to use as a door, if there is no existing sill at the bottom of the window opening, it is recommended to have the 3" Deco Sill Frame at the bottom.

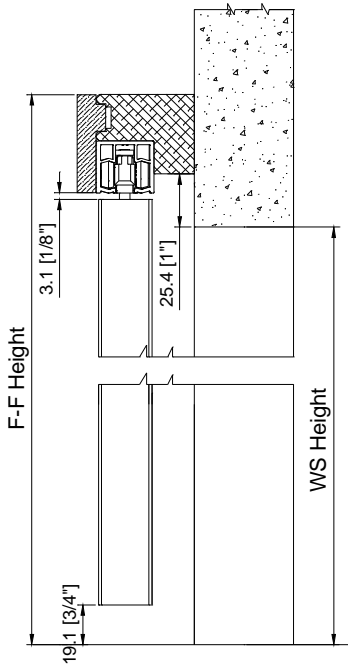
Semi-Inside



Inside Mount

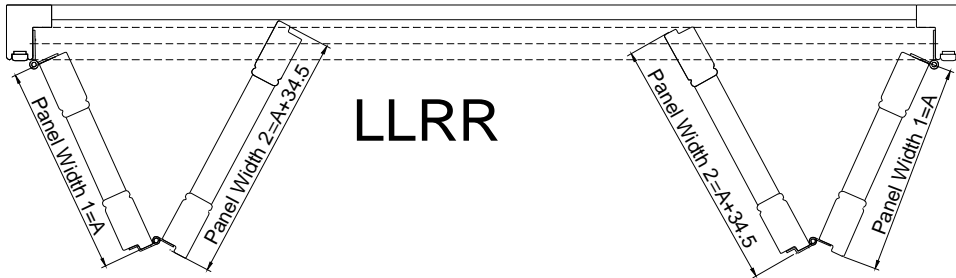
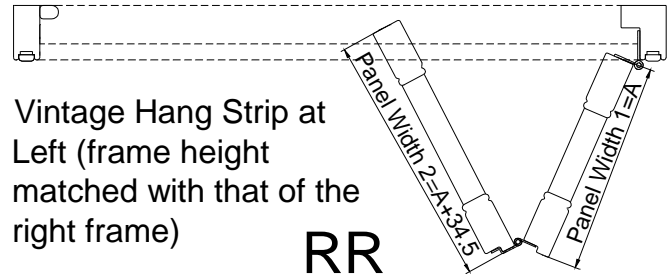
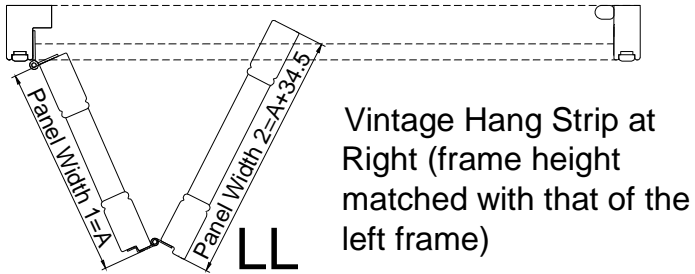


**For frame hinged bifold track shutter used as door, the bottom gap will be 19mm by default. Please specify "Used As Door" on the order form.**

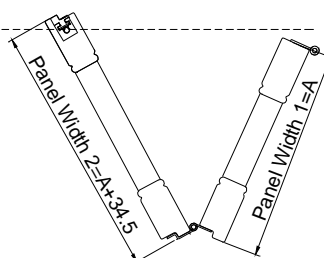
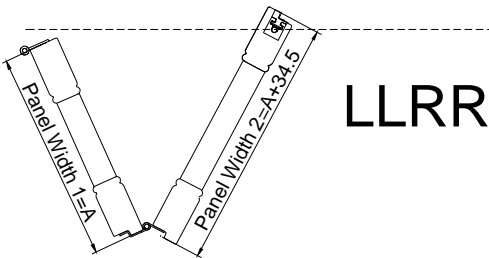
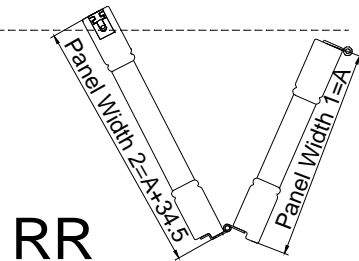
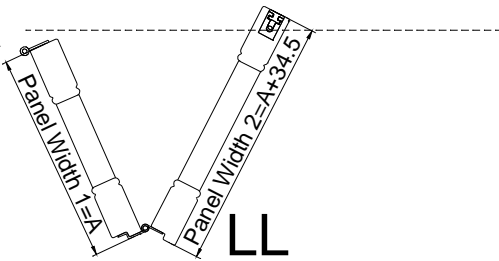


**Panel Configuration (uneven panel width)**

The hinge type between panel and frame is 2 3/8" Self Mortise Hinge, the panel width1 (hinged with Self Mortise Hinge) = A, the other panels width (panel width2) = A + 34.5mm;



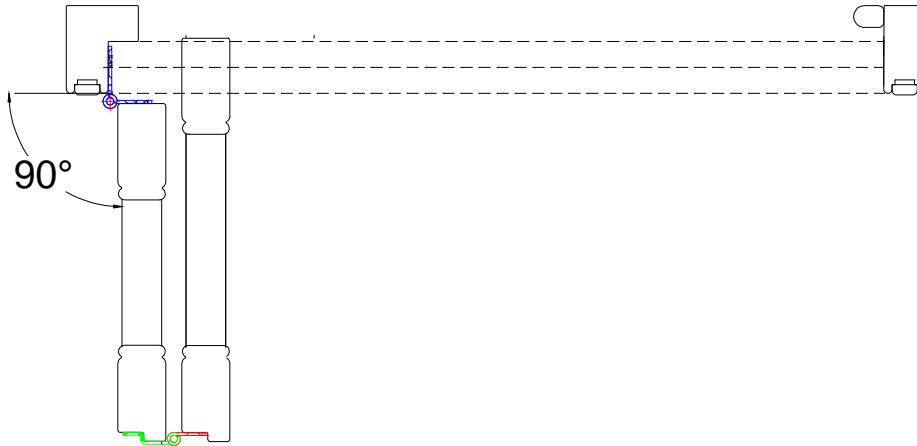
**Frame Hinged Bifold Track Panel Hanger Location:**





Notes:

1. Only available for 3-Sides + bottom light block or 3-Sides + 3" Deco Sill Frame (4-sides is not available); Panels can be folded and open at 90 degree;

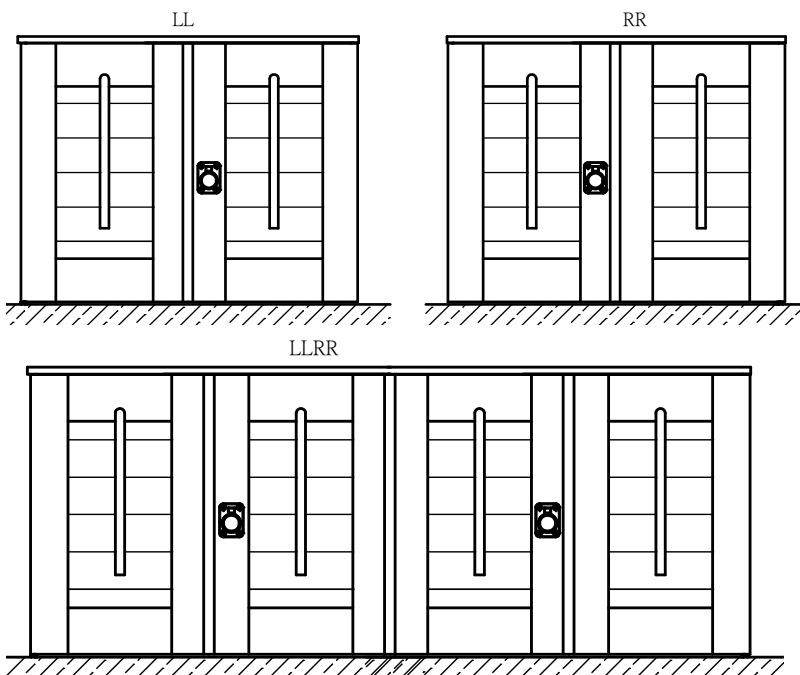


2. Frames available: Only Vintage L Frame

- 1) For top frame, the insert will be replaced by top fascia;
- 2) Top track will be pre-attached to the top frame;
- 3) Frame will be pre-drilled with screw holes same as regular shutters.

Ring Pull: The ring pull will be provided as an option; Customer need specify ring pull location on the order form. Ring pull location is measured from the floor to center of the ring pull in height direction. Ring pull color will match the hinge color.

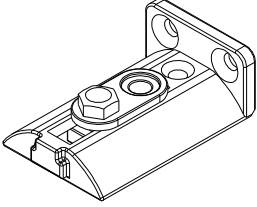
Please refer to below drawing of ring pull position for all shutter type:



## Bottom Pivot Brackets:

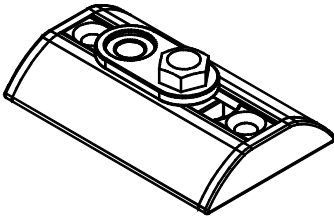
For 90° Bifold Track Shutter, there will be 2 types of Bottom Pivot Brackets available.

### Bottom Pivot L Bracket:



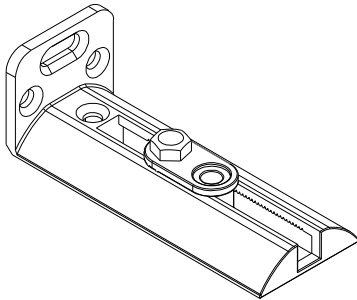
For Inside Mount, it will be supplied as default;

### Bottom Pivot Bracket:



For Semi-Inside or Outside Mount, it will be supplied as default.

### 81mm Bottom Pivot L Bracket:

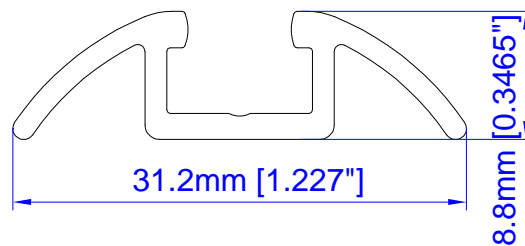
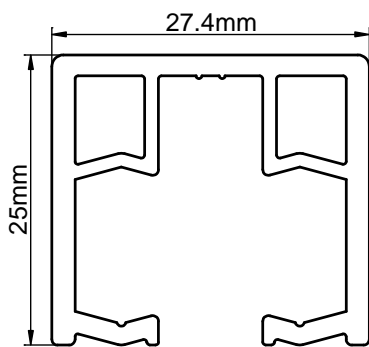


For 90° Bifold Track Shutter Outside Mount, it will be supplied as an optional. (Notes: If screwing the bracket into the floor is not an option)

For 180° Bifold Track Shutter, it will be supplied as default.

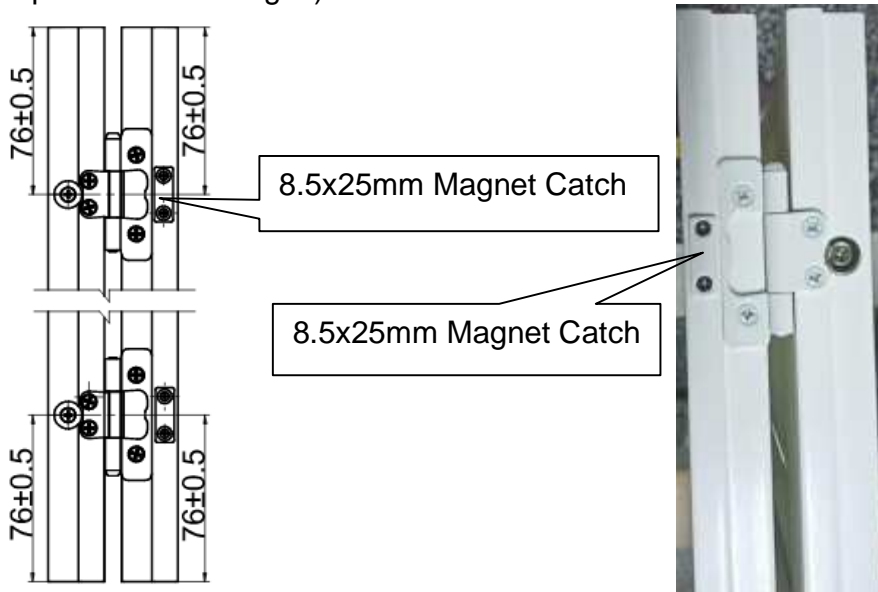
## Track Dimension:

Top Track

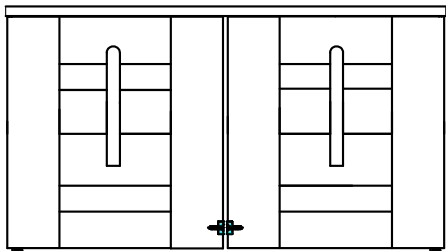


M Shape Bottom Track

Extra 8.5x25mm Magnet Catches and magnets will be supplied for Bifold hinge: (only for the most top and bottom hinges)



Side Magnet: applied to the meeting stiles of LR panels

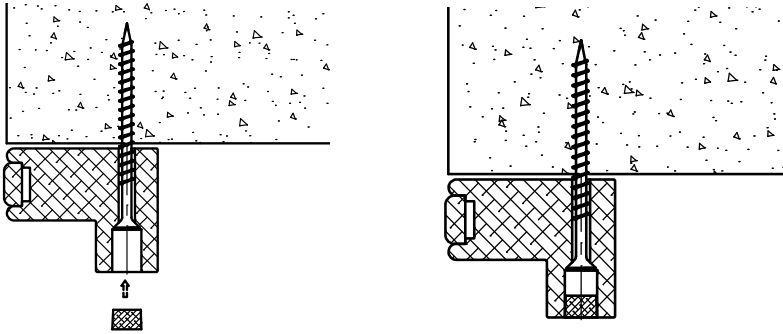


### 90° Bi Fold Track Shutters Hardware Box

Parts
Wrench
Hinge Pin
Triangle Bracket (based on the length of header)
2" screws for Triangle Bracket
¾" screws for Triangle Bracket
Bottom Pivot Bracket
38.1mm screws for bottom pivot bracket
63.5mm screws for Frame with predrilled screw holes

#### Notes:

1. for all bifold track shutter Outside Mount, the header will be pre-drilled with screw holes in the insert and screws will be supplied by default;
2. for all bifold track shutter Inside/Semi-Inside Mount, the header will be pre-drilled with holes for screws and wood plug and screws and wood plug will be supplied by default

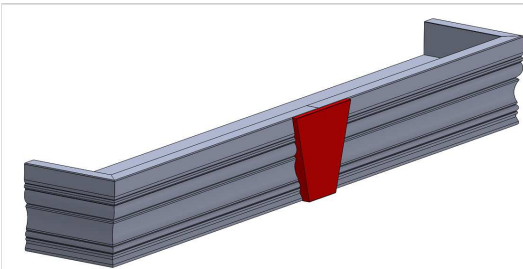


### Keystone for Fascia of the Track Shutter

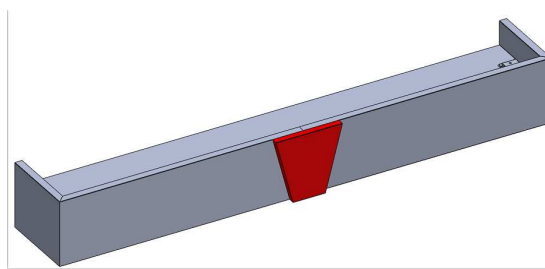
When fascia length exceeds the limitation and needs to split, keystone design fascia will be supplied without surcharge for track shutters.

For fascia length within the split limitation, keystone can also be supplied as an option with surcharge.

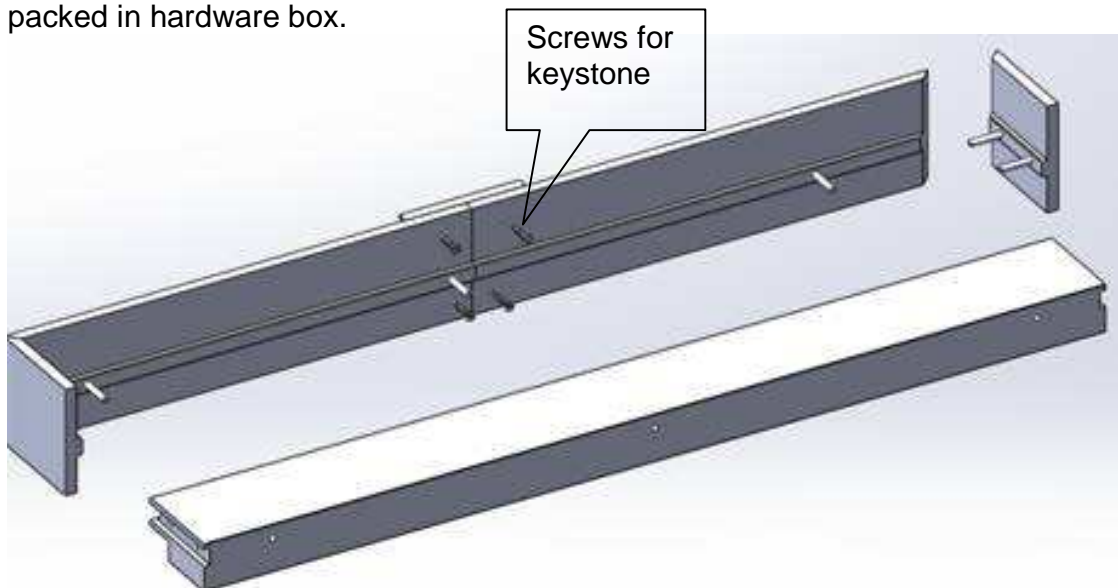
For Deco Fascia:



For Flat Fascia:



The keystone will be installed by screws. We will pre-drill the screw holes and the screws will be packed in hardware box.



**Definitions**

**Closed Bypass** - louvers must be in the closed position for panels to bypass each other when sliding.

**Open Bypass** - louvers can remain open position when panels bypass each other allowing for a clearer view when sliding.

**Combi-joined panels** - two or more panels combined or hinged together to form a single, wider sliding section, please see the drawings of where hinges will be installed.

**Note:** the interlocking bottom guide is standard on the closed bypass and optional on the open bypass.

Guidelines and Specs:

<u>Description</u>	<u>Minimum</u>	<u>Maximum</u>		
		1 <sup>7</sup> / <sub>8</sub> "	2 <sup>1</sup> / <sub>2</sub> "	3"; 3 <sup>1</sup> / <sub>2</sub> "; 4 <sup>1</sup> / <sub>2</sub> "
Single-Panel Width (Woodlore)	6"	24"	30"	36"
Single-Panel Height	10"	120"	120"	120"

Outside Mount

Max frame-to-frame width: window width + 3"

Max frame-to-frame height: window height + 4<sup>1</sup>/<sub>2</sub>"

Semi-Inside Mount

Max frame-to-frame width: window width - 1<sup>1</sup>/<sub>8</sub>"

Max frame-to-frame height: window height + 1 1<sup>1</sup>/<sub>8</sub>"

Inside Mount

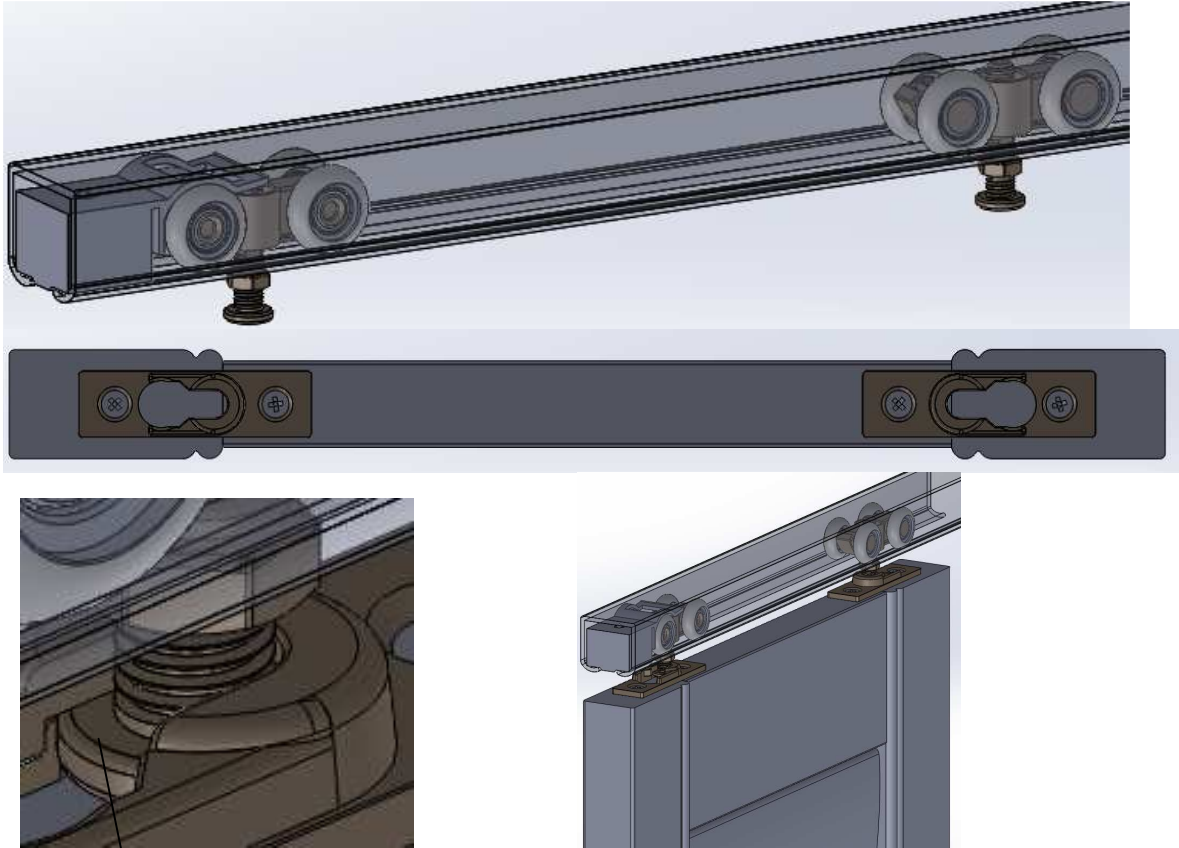
Max frame-to-frame width: window width - 1<sup>1</sup>/<sub>8</sub>"

Max frame-to-frame height: window height - 1<sup>1</sup>/<sub>8</sub>"

## Track Shutters—2020 Bypass

**Wheel Carriers are in the Track / Wheel Carrier Brackets are on the top of Panel:**

Adjustments to panel alignment are made by turning the wheel carrier bolt with the wrench included in the Hardware Box

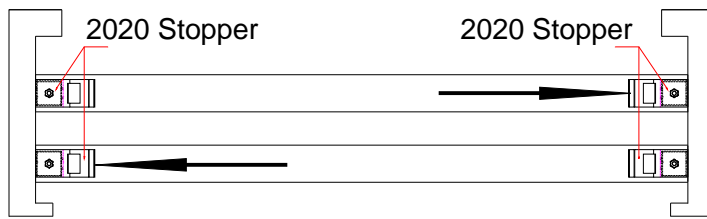


Push wheel carrier into the wheel carrier bracket to seat

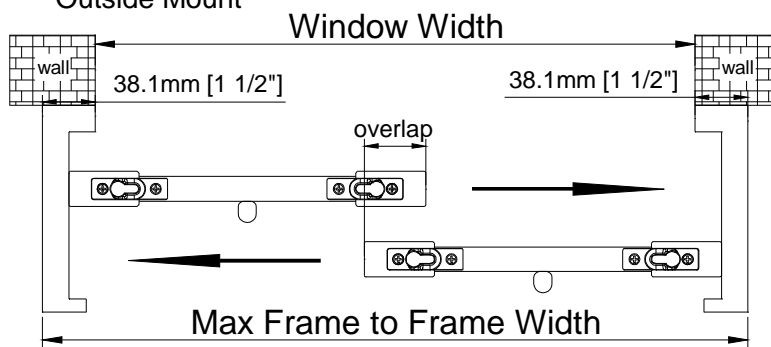
Note: 2020 Stopper will be supplied at both ends of top track by default.

Track Shutters—2020 Bypass

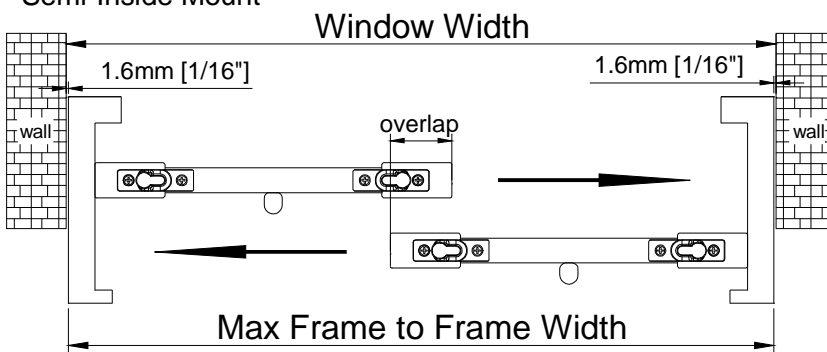
**Top View**



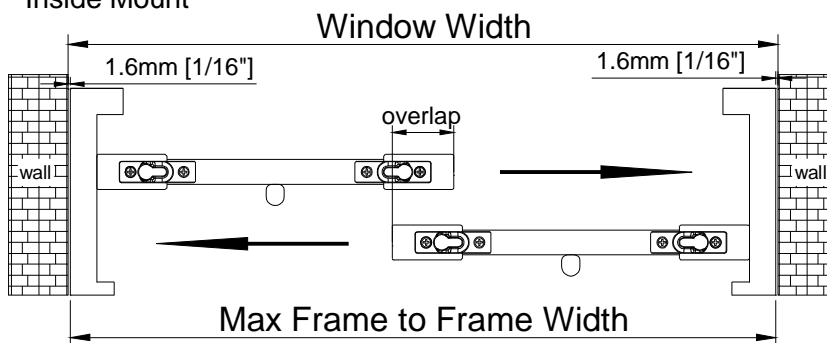
**Outside Mount**



**Semi-Inside Mount**



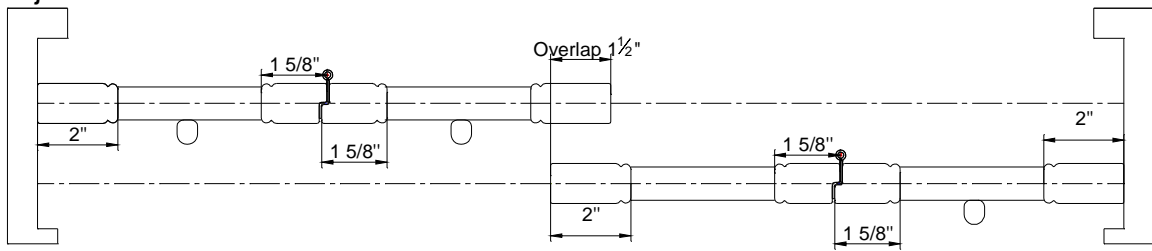
**Inside Mount**



Track Shutters—2020 Bypass

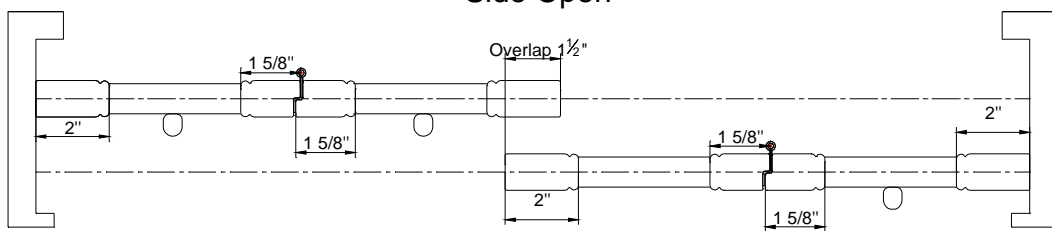
**Top View**

Combi - joined Panels:

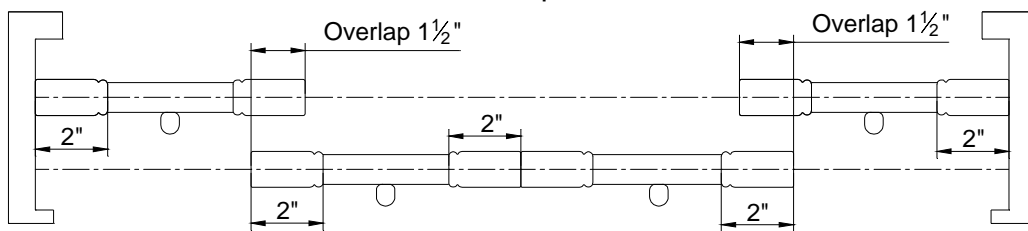


For shutters with 4 or more panels, please select “side open” or “center open”

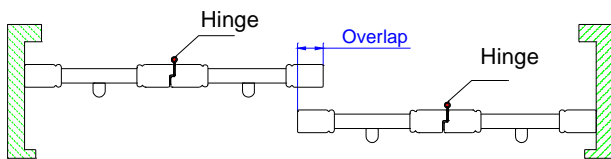
**Side Open**



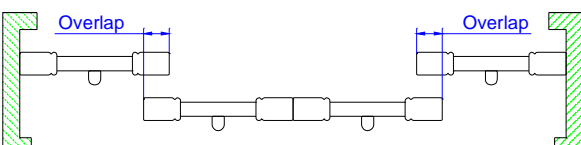
**Center Open**



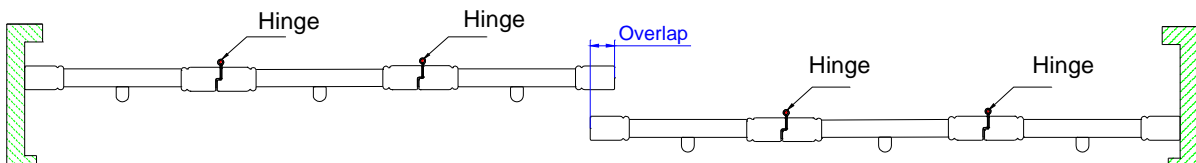
4 panels side open w/Rabbit stile



4 panels center open w/Butt stile



6 panels side open w/Rabbit stile



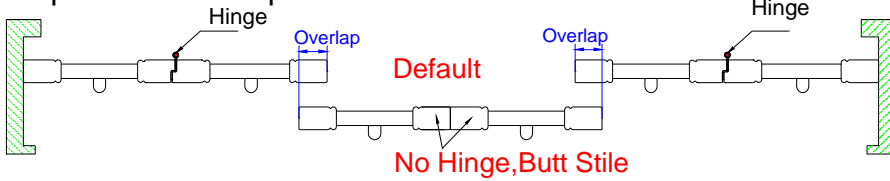


## Track Shutters—2020 Bypass

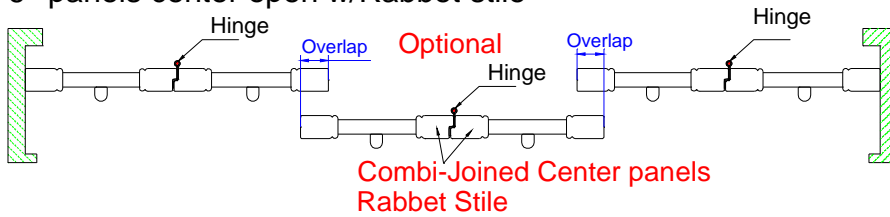
For 6 panels center open configurations, the center panels should split (1/1) by default with the option for them to be combi-joined into a single 2 panel section.

### Center open Front:

#### 6 panels center open w/Rabbit stile

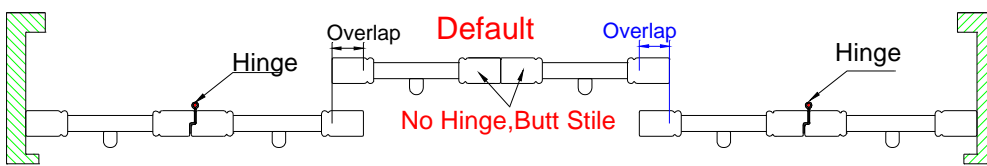


#### 6 panels center open w/Rabbit stile

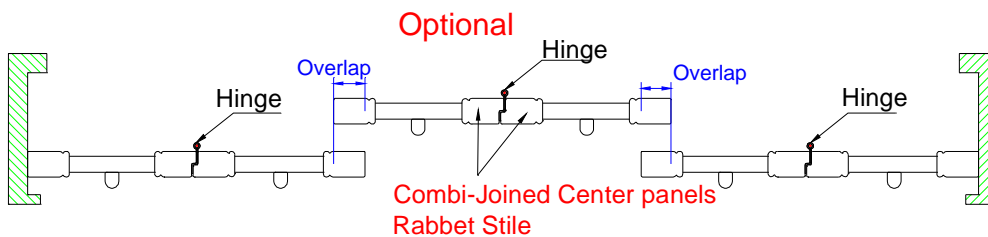


### Center open Back:

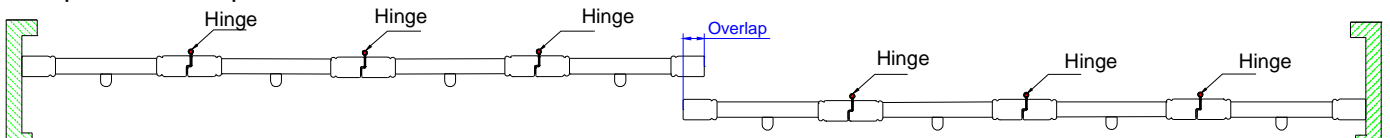
#### 6 panels center open back w/Rabbit stile



#### 6 panels center open back w/Rabbit stile



#### 8 panels side open w/Rabbit stile

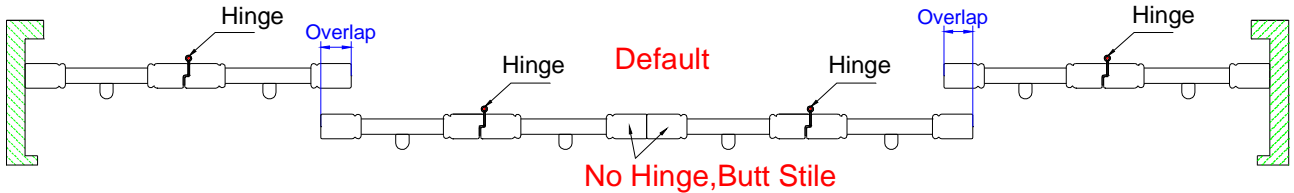


## Track Shutters—2020 Bypass

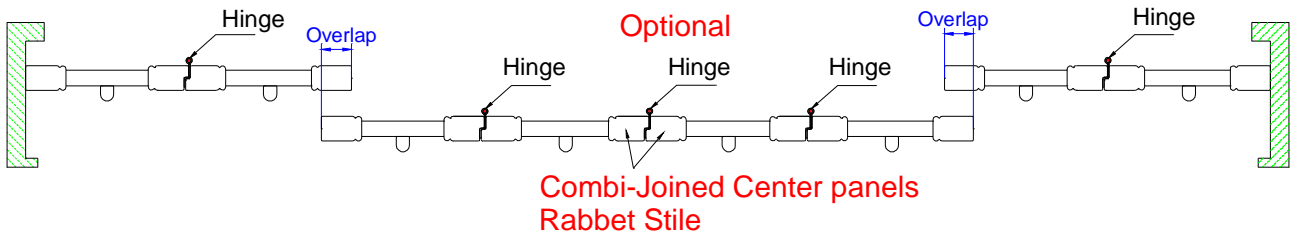
For 8 panels center open configurations, the center panels should split (2/2) by default with the option for them to be combi-joined into a single 4 panel section.

Center open Front:

8 panels center open w/Rabbet stile

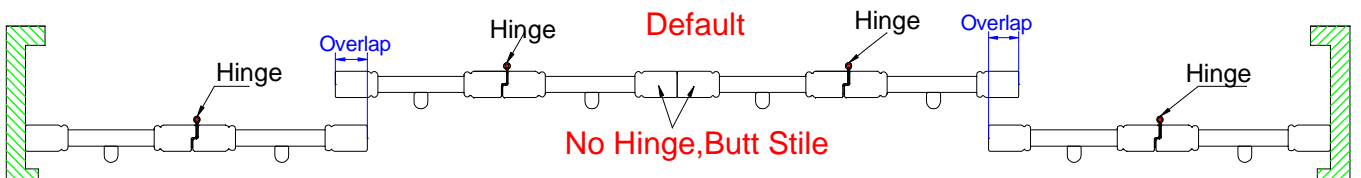


8 panels center open w/Rabbet stile

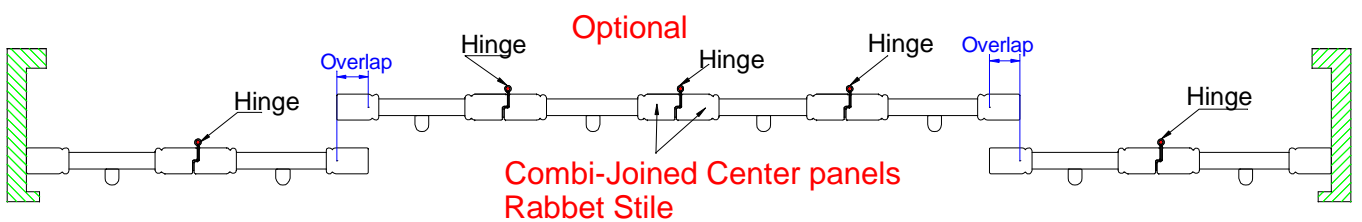


Center open Back:

8 panels center open back w/Rabbet stile



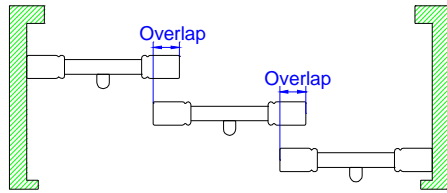
8 panels center open back w/Rabbet stile



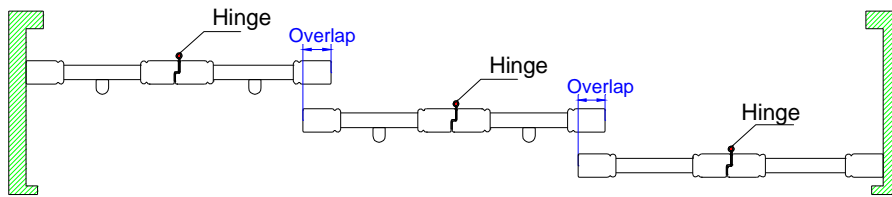
Track Shutters—2020 Bypass

Triple Track

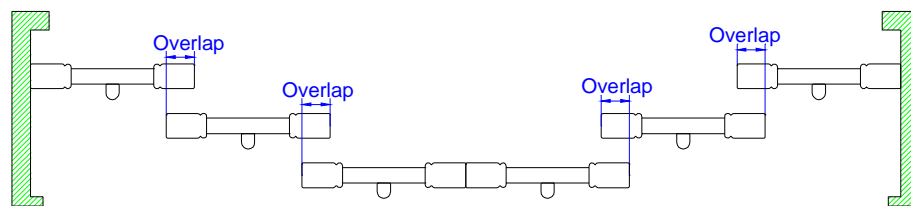
3 panels side open w/Butt stile



6 panels side open w/Rabbit stile



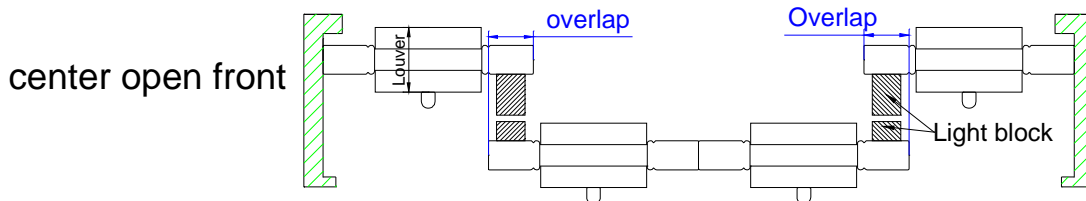
6 panels center open w/Butt stile



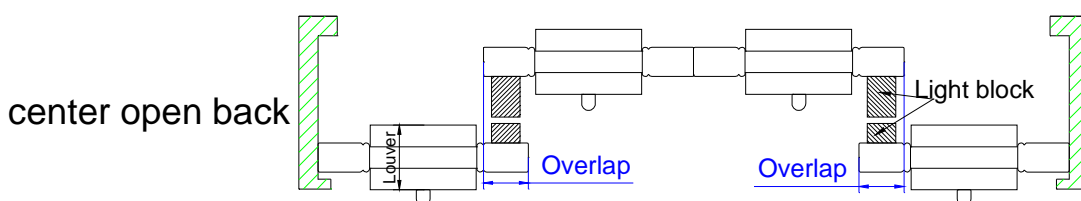
**Stile:** Only 2" / 2 1/4" butt and rabbit stiles are available;  
 1 5/8" rabbit stile only used for combi-joined panels for non-motorized shutter and  
 2 1/4" rabbit stile only used for combi-joined panels for motorized shutter.  
 Center stile is not available.

Open Bypass:

4 panels center open front w/Butt stile



4 panels center open back w/Butt stile

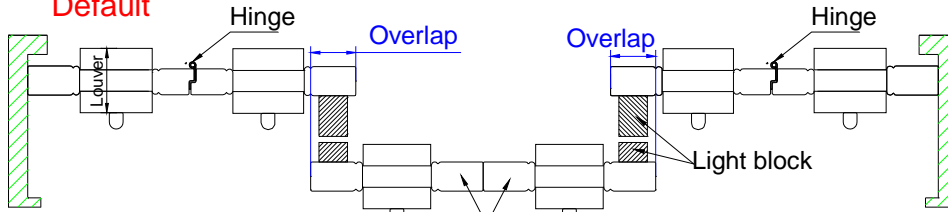


Track Shutters—2020 Bypass

center open front

6 panels center open front w/Rabbit stile

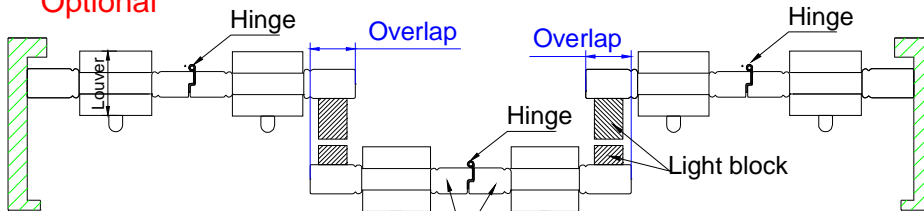
Default



No Hinge, Butt Stile

6 panels center open front w/Rabbit stile

Optional

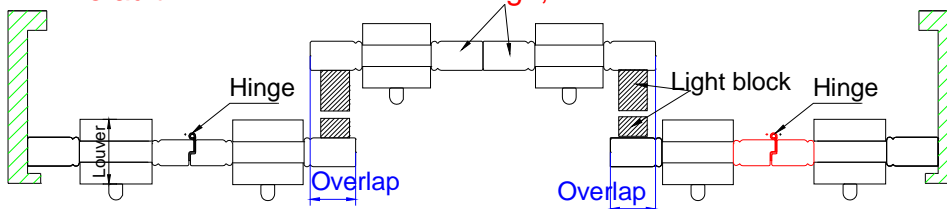


Combi-Joined Center panels  
Rabbit Stile

center open back

6 panels center open back w/Rabbit stile

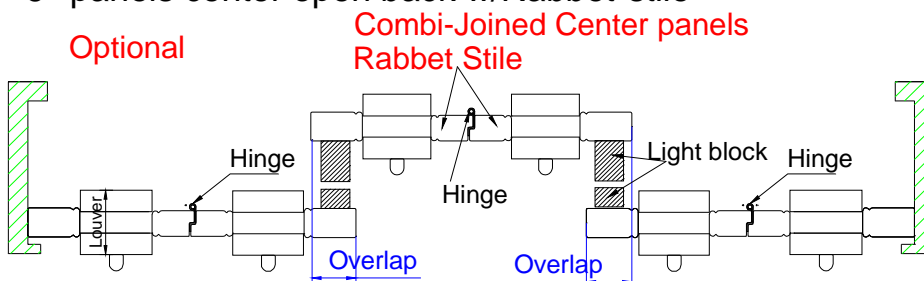
Default



No Hinge, Butt Stile

6 panels center open back w/Rabbit stile

Optional

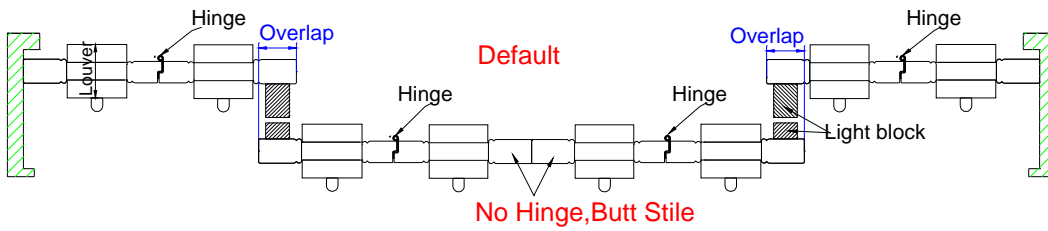


Combi-Joined Center panels  
Rabbit Stile

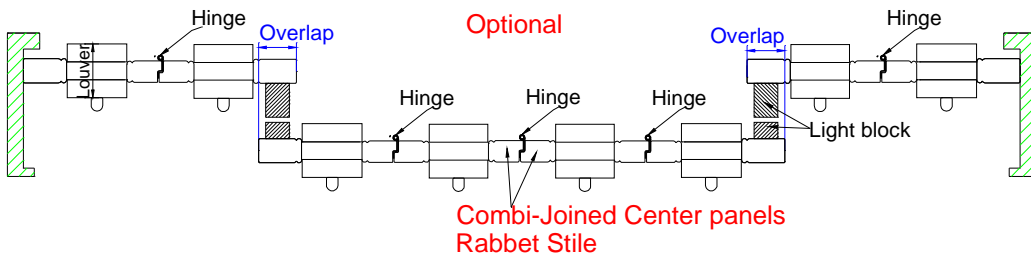
Track Shutters—2020 Bypass

center open front

8 panels center open front w/Rabbit stile

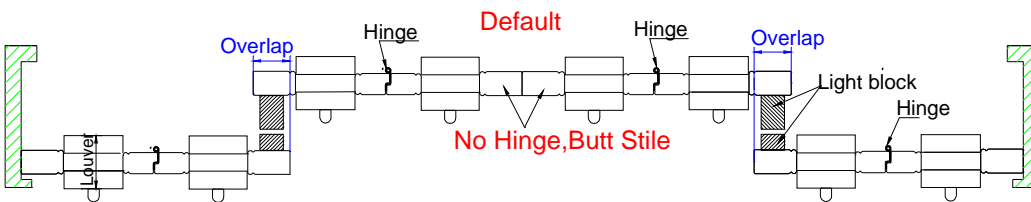


8 panels center open front w/Rabbit stile

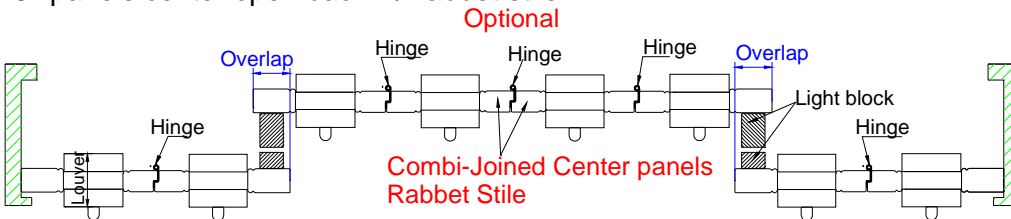


center open back

8 panels center open back w/Rabbit stile



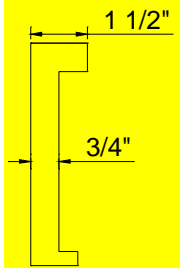
8 panels center open back w/Rabbit stile



Note: The boxout frame's "Side Frame" as well as panel overlap are additional factors that will effect the individual panel width calculation.

Side Frame = 3/4" thickness on each side

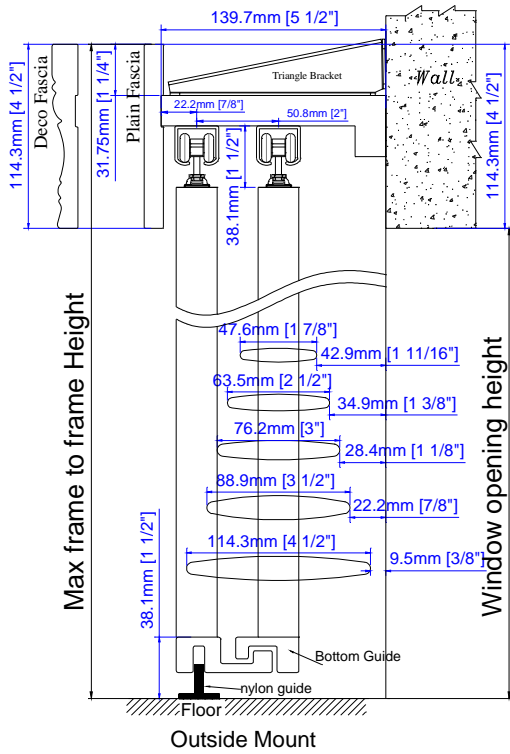
Panel overlap will be 1 1/2" for 2" stile and 1 3/4" for 2 1/4" stile;



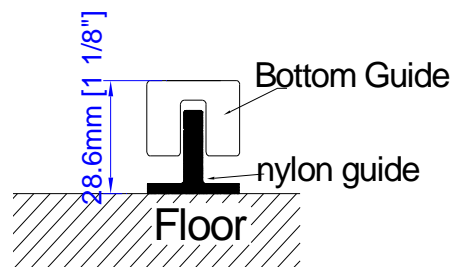
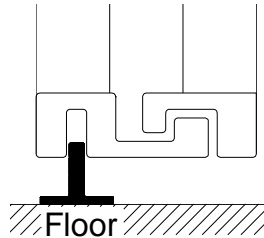
Track Shutters—2020 Bypass

Mounting Options (Closed Bypass)

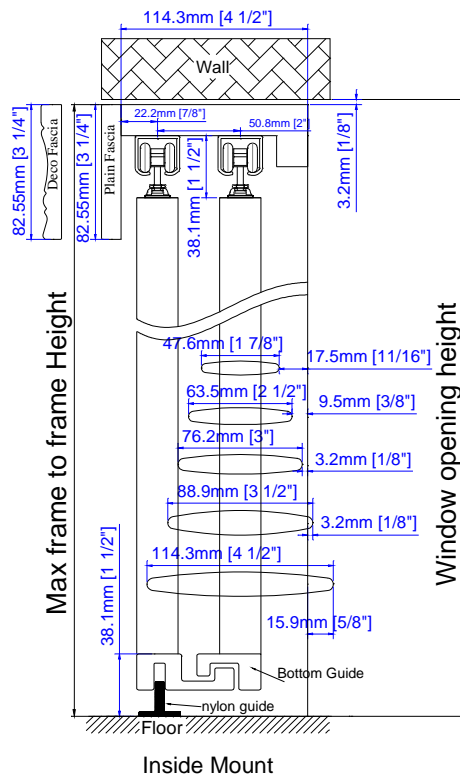
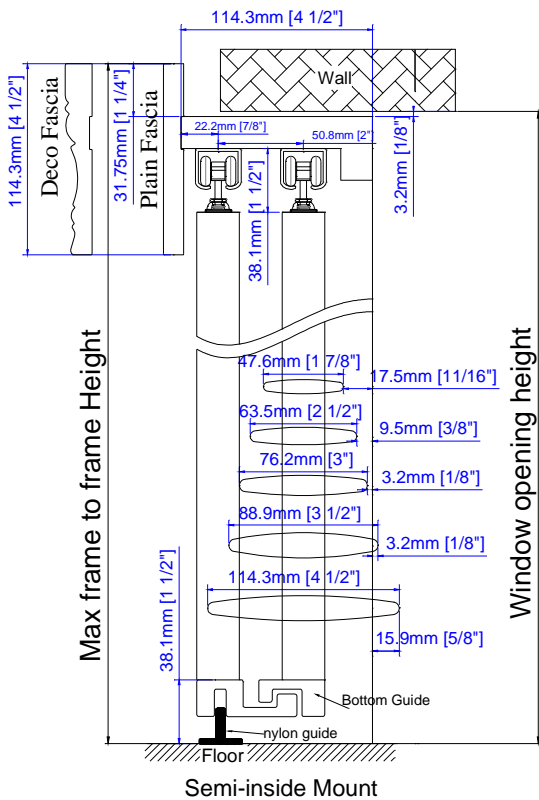
Side View



Bottom Guide

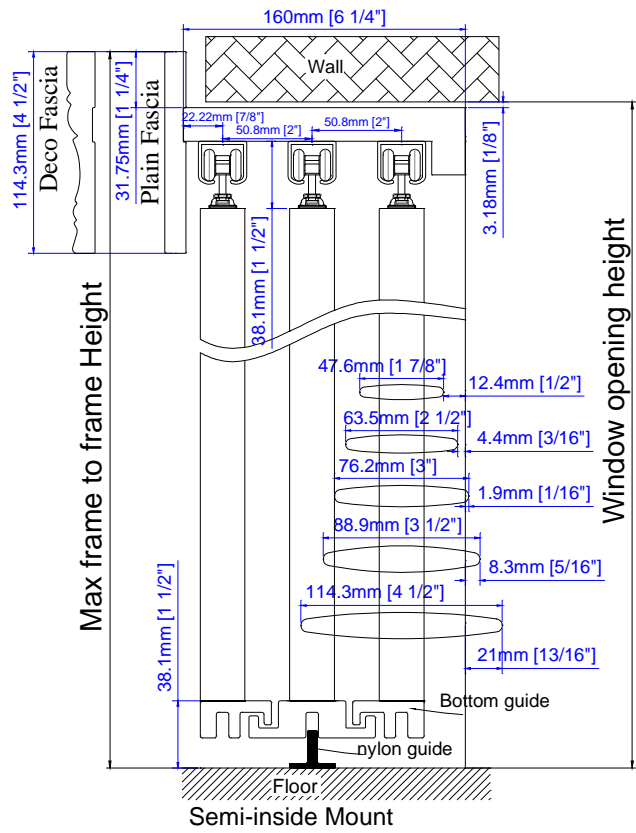
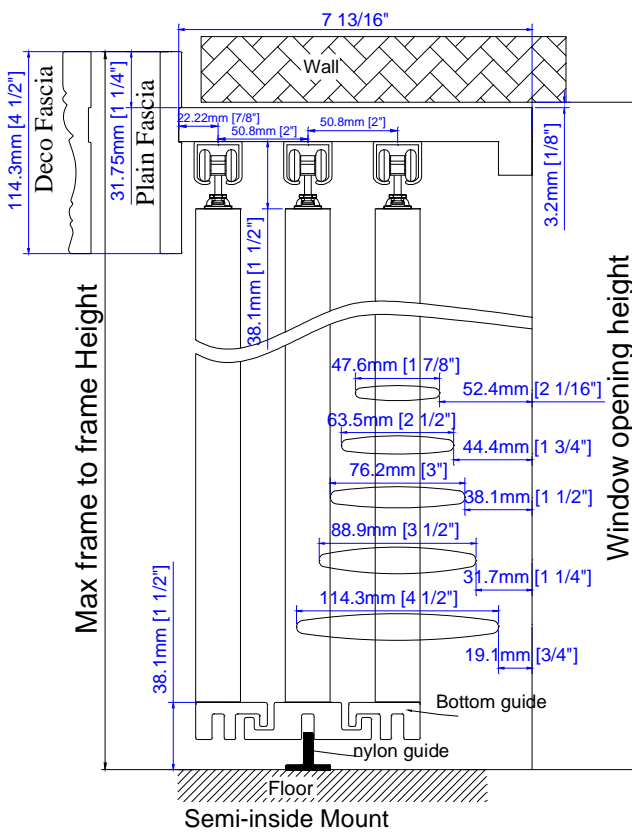
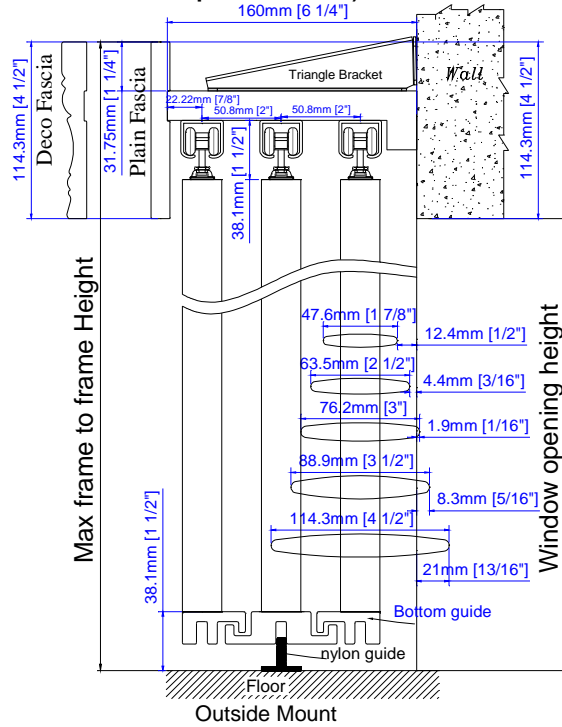
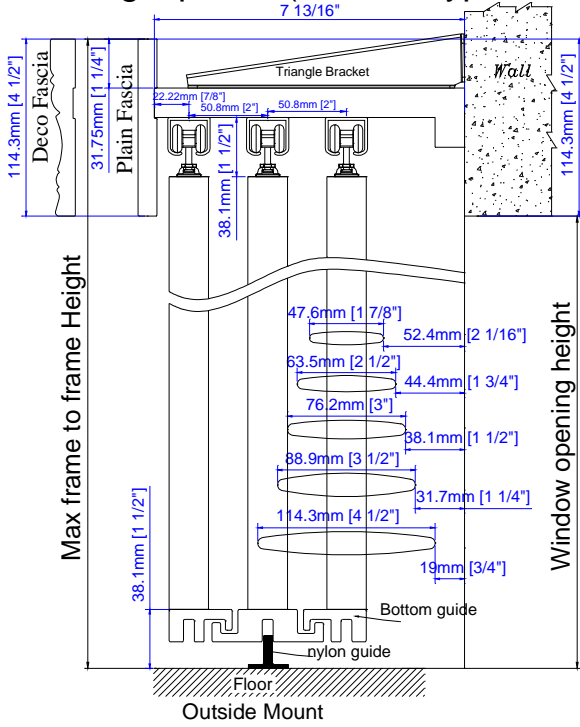


If the closed bypass only uses one track, the U-shaped bottom guide for the open bypass will be used at the bottom of the panel.

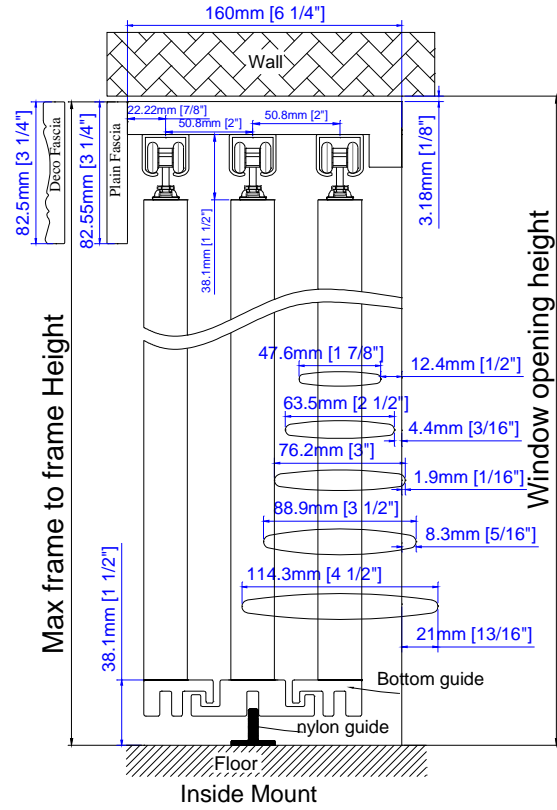
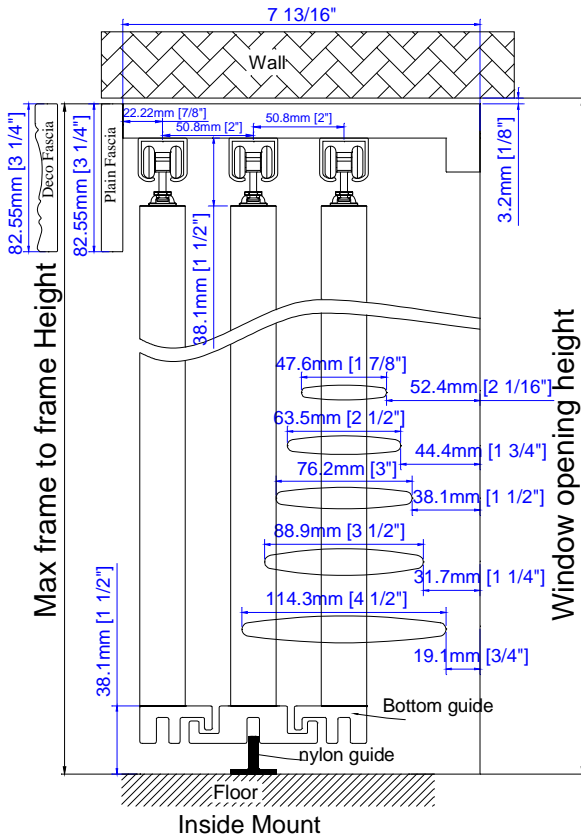


Track Shutters—2020 Bypass

Mounting Options (Closed Bypass with 3 Tracks, Triple tracks):

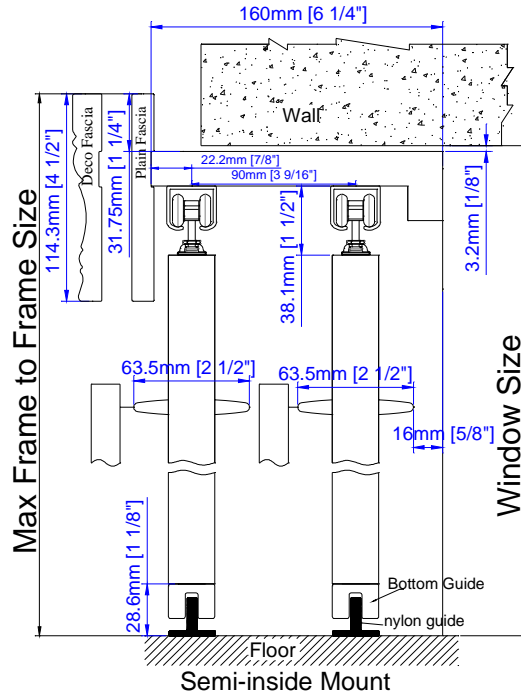
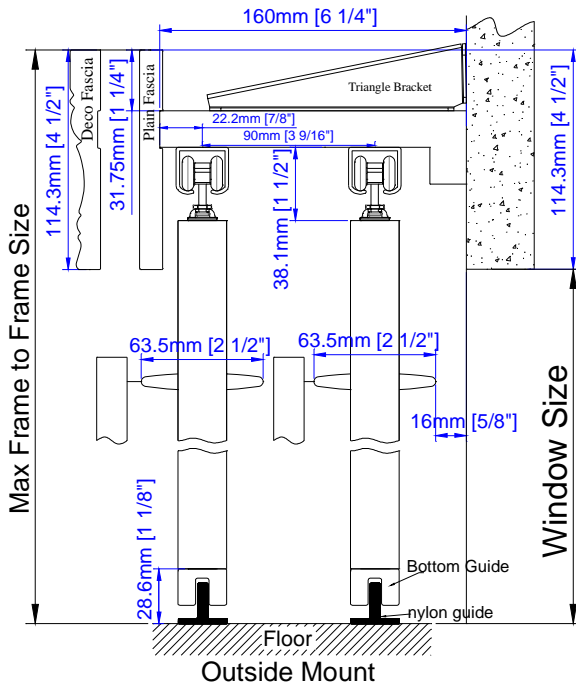


# Track Shutters—2020 Bypass



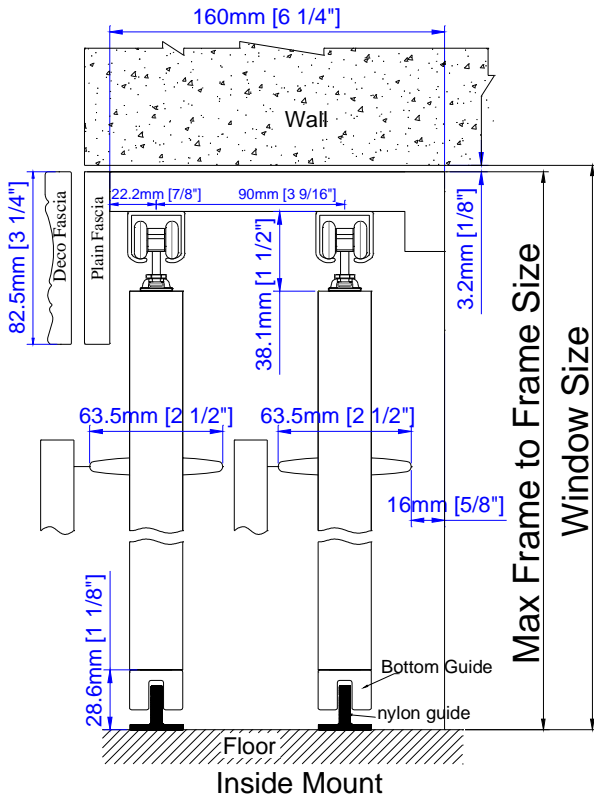
## Mounting Options (Opened Bypass) 2 1/2" Louver

Only available in 2 1/2", 3" and 3 1/2" louver sizes

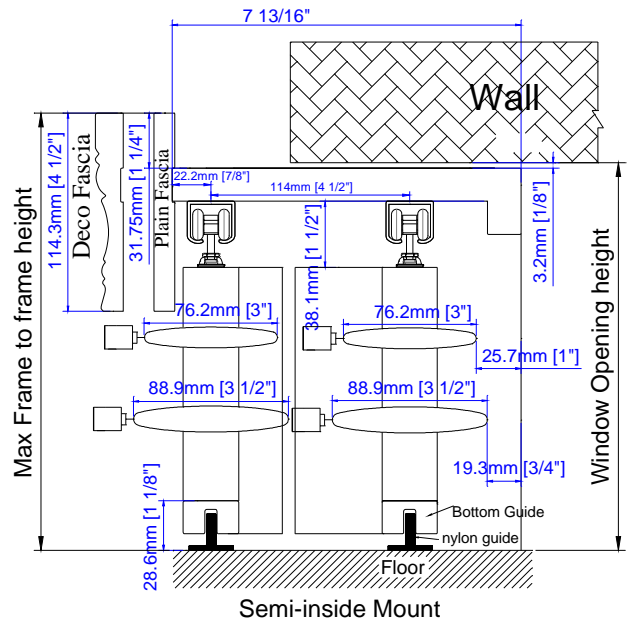
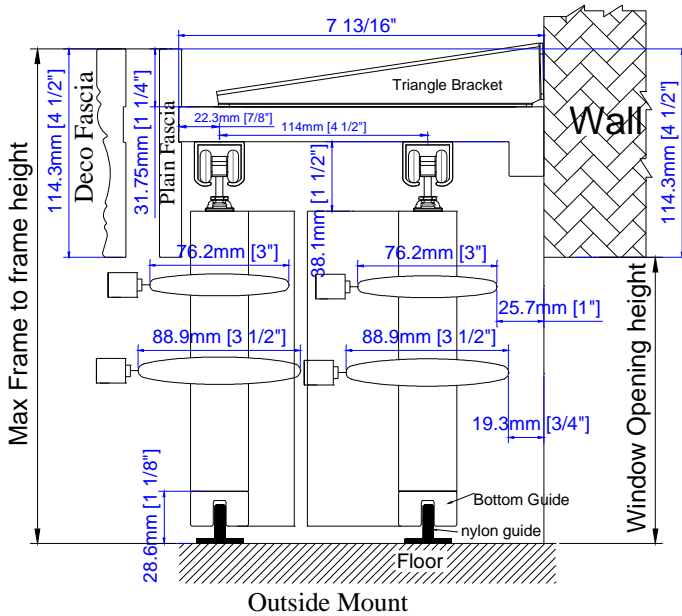




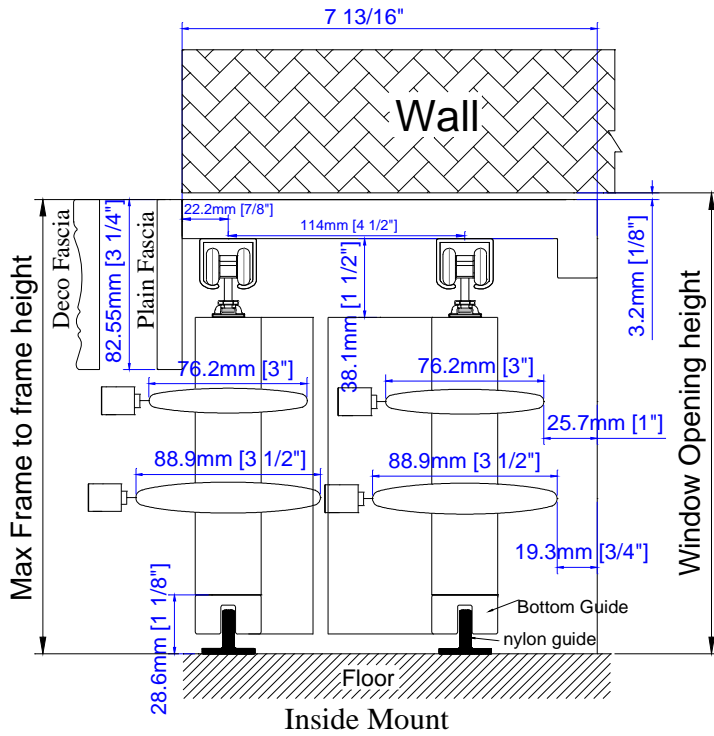
# Track Shutters—2020 Bypass



## 3" / 3 1/2" Louver

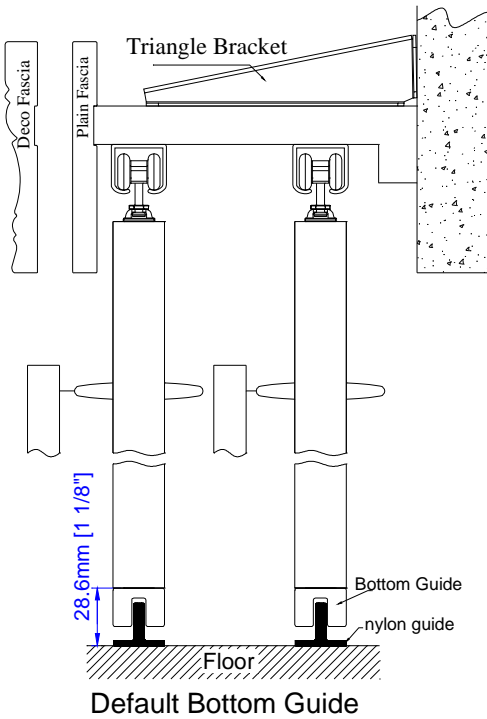


Track Shutters—2020 Bypass

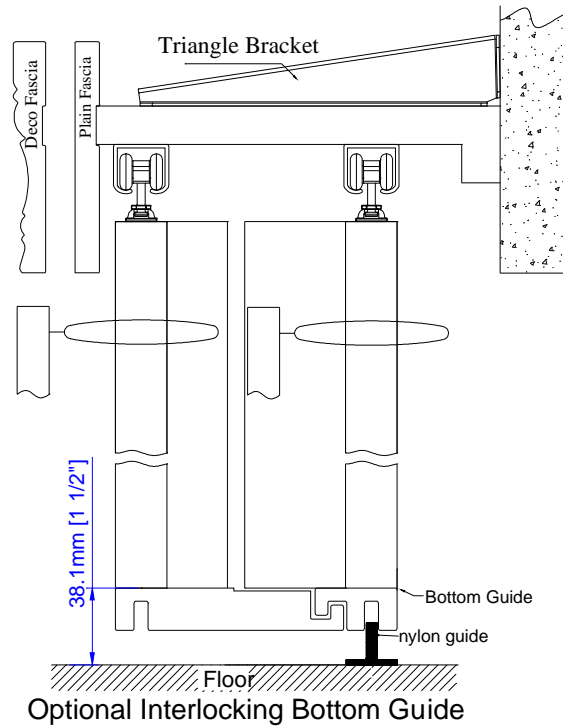


Bottom guide for Open ByPass:

Default Bottom Guide

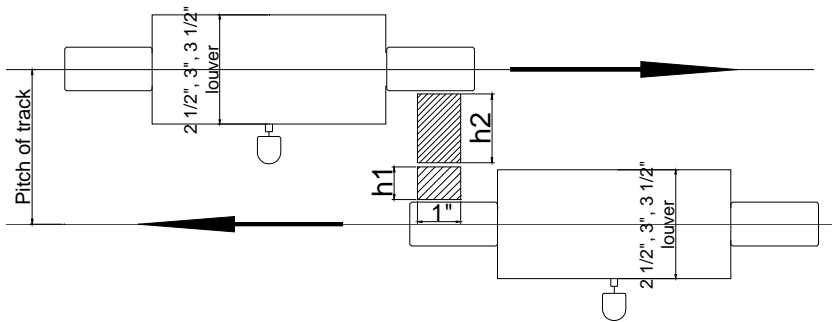


Optional Interlocking Bottom Guide

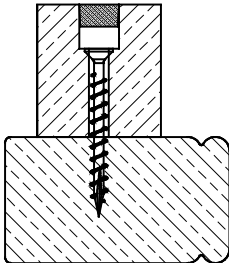


## Track Shutters—2020 Bypass

### Opened Bypass (Top View)



Note: The light block for open bypass will be changed to use screws with wood plugs instead of current dowels.



### Separation of track

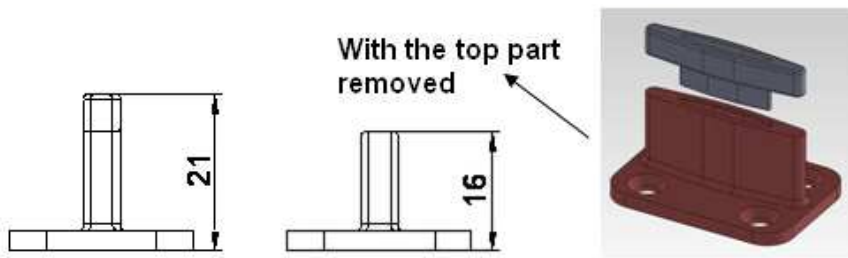
Louver	U shape bottom guide		Interlocking bottom guide	
	Regular Tilt Rod	InvisibleTilt®	Regular Tilt Rod	InvisibleTilt®
2.5"	3 9/16"	2 3/4"	3 9/16"	3 9/16"
3" / 3.5"	4 1/2"	3 5/8"	4 1/2"	4 1/2"

### Light block thickness for panel

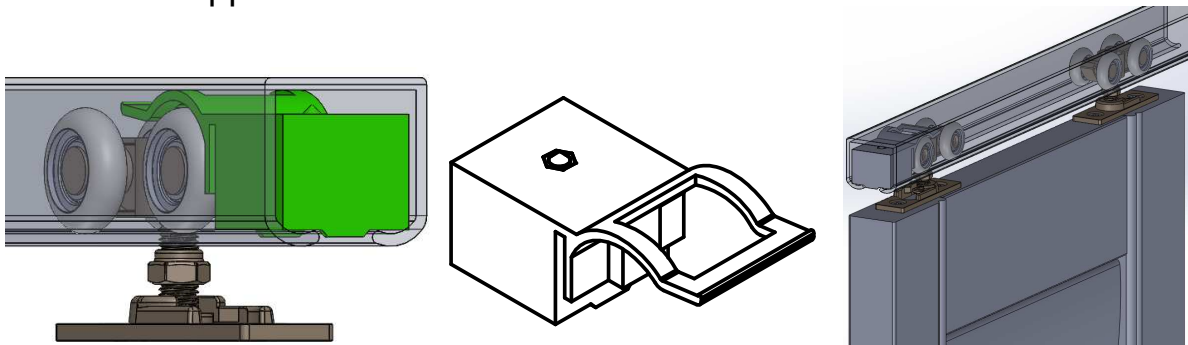
Louver		U shape bottom guide		Interlocking bottom guide	
		Regular Tilt Rod	InvisibleTilt®	Regular Tilt Rod	InvisibleTilt®
2.5"	h1	3/4"	3/4"	3/4"	1 9/16"
	h2	1 9/16"	3/4"	1 9/16"	3/4"
3" / 3.5"	h1	1 3/16"	1 3/16"	1 3/16"	1 15/16"
	h2	1 15/16"	1 3/16"	1 15/16"	1 3/16"

**Nylon Guide:** The nylon guide is composed by 2 parts and will supplied as a whole set by default (bottom part 16mm and top part 5mm), please remove the top part if necessary.

## Track Shutters—2020 Bypass

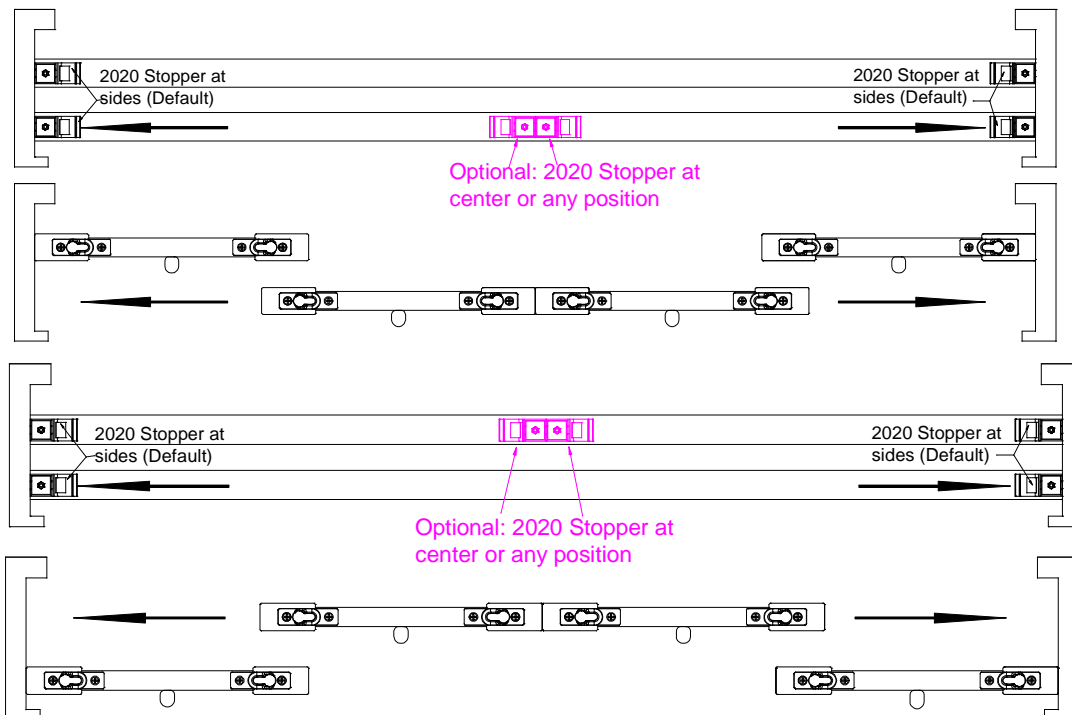


### The 2020 Stopper



Note: 2020 Stopper will be supplied at both ends of top track by default.

The 2020 stopper can also be used in the center or any position of the top track as an option. Please specify the actual position when placing an order.



# Track Shutters—2020 Bypass



## Track Shutters Framing Materials

Framing	Size			Pc(s)	
<b>L Shape Header</b>	<b>Header (Closed Bypass)</b>	<b>Header (Opened Bypass)</b>	<b>Supporting Strip</b>	1 pc	
<b>(2 in 1)</b>	$\frac{3}{4}$ " x $5\frac{1}{2}$ " (Default for Outside Mount; Optional for Semi-Inside and Inside Mount)	$\frac{3}{4}$ " x $6\frac{1}{4}$ " ( $2\frac{1}{2}$ " Louver)	$\frac{3}{4}$ " x $\frac{3}{4}$ "		
Header with Supporting Strip	$\frac{3}{4}$ " x $4\frac{1}{2}$ " (Default for Semi-Inside and Inside Mount; Optional for Outside Mount)	$\frac{3}{4}$ " x $7\frac{13}{16}$ " (3", $3\frac{1}{2}$ " Louver)			
	Custom * $\leq 8$ "	Custom * $\leq 8$ "			
<b>U Shape Side Frame</b>	<b>Side Frame (Closed Bypass)</b>	<b>Side Frame (Opened Bypass)</b>	<b>Supporting Strip</b>	<b>Side Fascia</b>	2 pcs
<b>(3 in 1)</b>	$\frac{3}{4}$ " x $5\frac{7}{8}$ " (Default for Outside Mount; Optional for Semi-Inside and Inside Mount)	$\frac{3}{4}$ " x $6\frac{5}{8}$ " ( $2\frac{1}{2}$ " Louver)	$\frac{3}{4}$ " x $\frac{3}{4}$ "	$\frac{3}{8}$ " x $1\frac{1}{4}$ "	
Side Frame with Supporting Strip & Side Fascia	$\frac{3}{4}$ " x $4\frac{7}{8}$ " (Default for Semi-Inside and Inside Mount; Optional for Outside Mount)	$\frac{3}{4}$ " x $8\frac{1}{4}$ " (3", $3\frac{1}{2}$ " Louver)			
	Custom * $\leq 8$ "	Custom * $\leq 8$ "			
Top Fascia (Plain/Deco)	4 1/2" (Semi-inside and Outside Mount)			1 pc	
	3 1/4" (Inside Mount)				
Top Fascia Return	4 1/2" (Semi-inside and Outside Mount)			2 pcs	
	N/A (Inside Mount)				

**Note:**

- When the header size is  $4\frac{1}{2}$ "\*,  $5\frac{1}{2}$ "\*,  $6\frac{1}{4}$ "\* or  $7\frac{13}{16}$ "\*, the L Shape header and the U Shape Side Frame will be sent integrally. That is:
  1. The header and the supporting strip will be sent integrally as L Shape Header;

## Track Shutters—2020 Bypass

2. The side frame, supporting strip and the side fascia will be sent integrally as U Shape Side Frame.
  - For any custom header sizes other than 4½", 5½", 6¼" or 7<sup>13</sup>/<sub>16</sub>", the L Shape Header and the U Shape Side Frame will be sent separately. That is:
    1. The header and the supporting strip will be sent separately for L Shape Header;
    2. The side frame, supporting strip and the side fascia will be sent separately for U Shape Side Frame.
  - Custom Boxout Width is available for both closed and opened bypass shutters.
  - For Outside Mount Bypass, the maximum custom header depth is 8", and the maximum possible header depth with an extension can be up to 8 5/8". When the standard boxout / header depth is 7 13/16", a custom extension up to ¾" can be added to the header depth for a total maximum depth of 8 5/8".
  - For Inside Mount and Semi-Inside Mount Bypass, the custom header size can reach to 8", and the extension thickness of header can reach to 2".

<b>Hardware Box</b>
<b>Part</b>
Wrench
Nylon Guide
¾" screws for Nylon Guide
Triangle Bracket (based on the length of header)
2" screws for Triangle bracket
¾" screws for Triangle bracket

### Keystone for Fascia of the Track Shutter

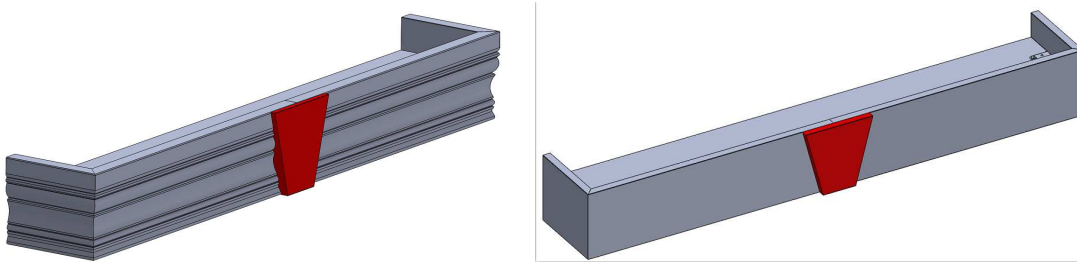
When fascia length exceeds the limitation and needs to split, keystone design fascia will be supplied without surcharge for track shutters.

For fascia length within the split limitation, keystone can also be supplied as an option with surcharge.

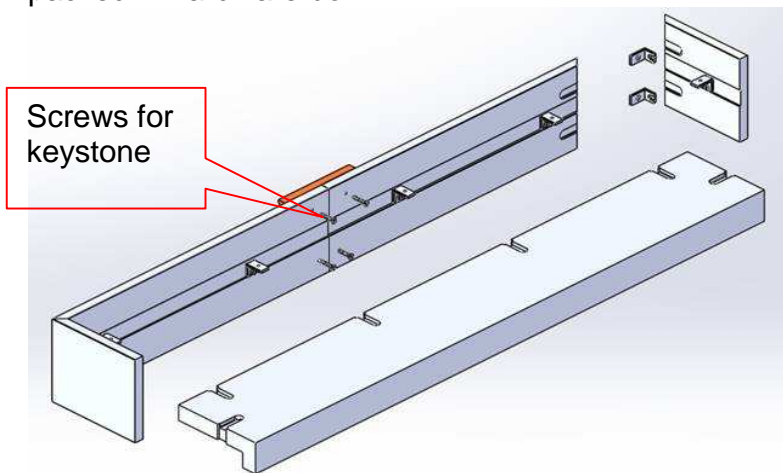
For Deco Fascia:

For Plain Fascia:

## Track Shutters—2020 Bypass



The keystone will be installed by screws. We will pre-drill the screw holes and the screws will be packed in hardware box.

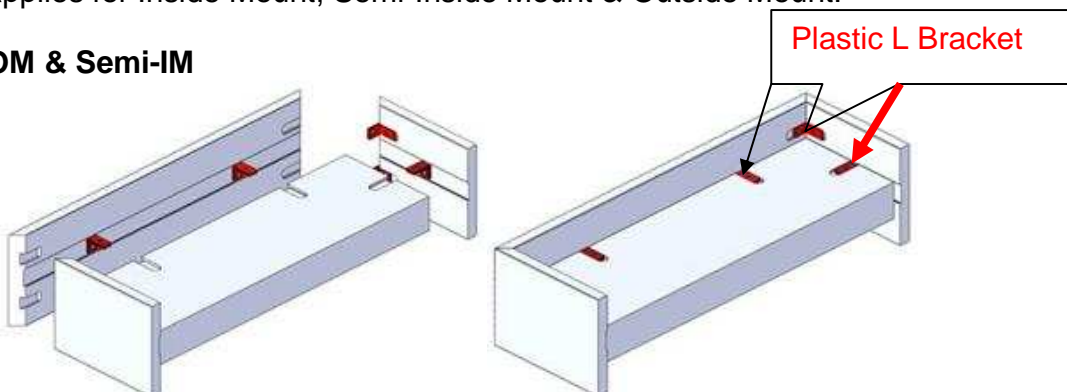


## Plastic L Bracket to Connect the Header, Fascia & Fascia Returns



L Bracket will be used to connect the header, fascia and fascia returns for Bypass shutter. This applies for Inside Mount, Semi-Inside Mount & Outside Mount.

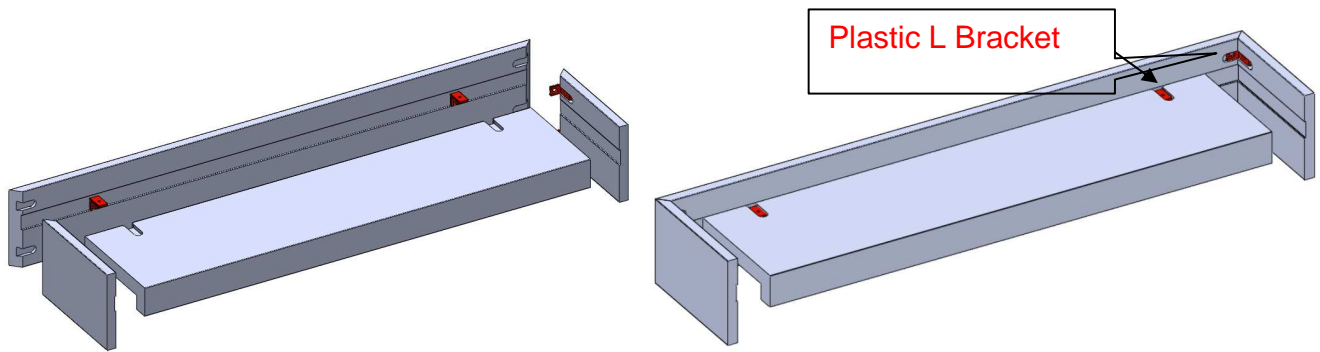
### OM & Semi-IM



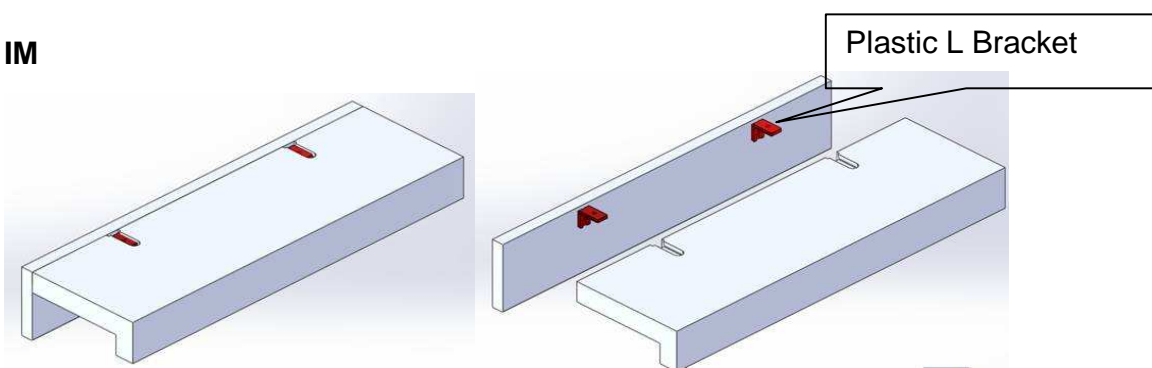
# Track Shutters—2020 Bypass



When the custom top fascia length is longer than the header length, the portion that extends beyond the header will be shared evenly between the left & right side. A plastic L bracket will be used for connecting the header to the top fascia, and also for connecting the fascia returns to the fascia. In this situation when there is a gap between the header and the fascia returns, there will not be a groove at the left and right ends of the header. Please refer to the following drawings:



**IM**

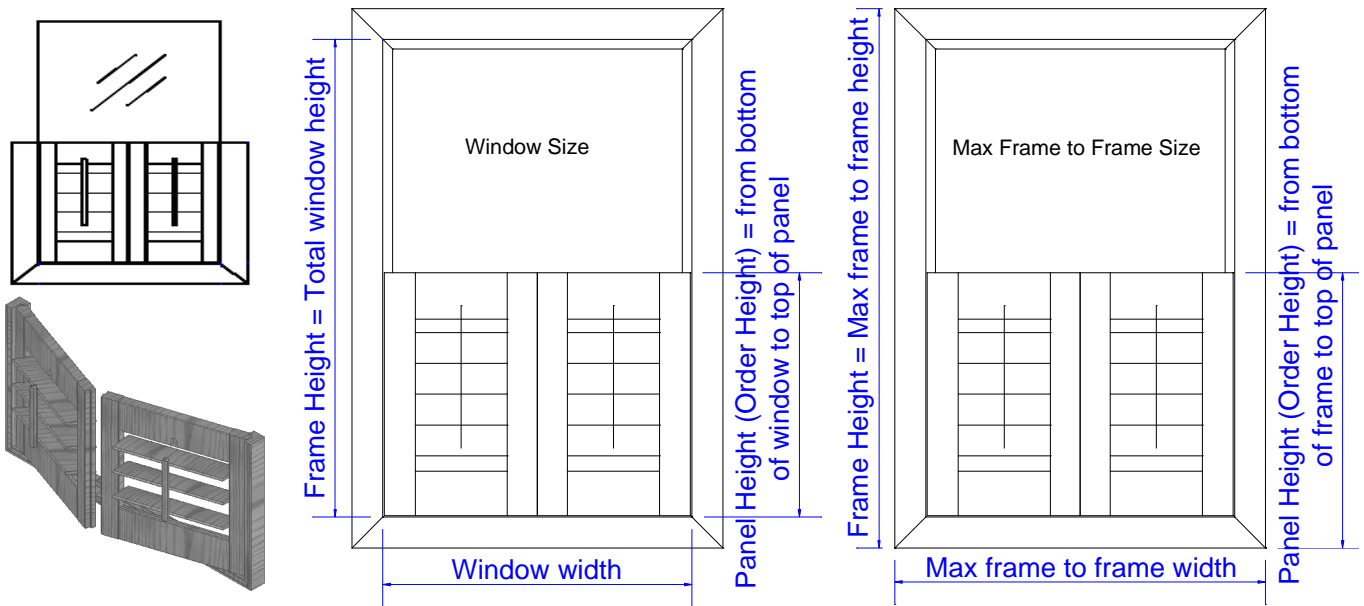




## Special Options

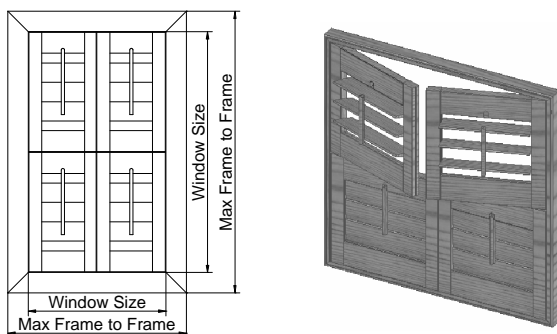
### Café Shutters\*

- The top of the panel requires a special finish. Please indicate “café shutter” when placing orders.
- The shutter does not come with recessed magnet on top.
- When the height of the framing material (including t-posts) exceeds the panel height, by more than 5", a surcharge will apply.

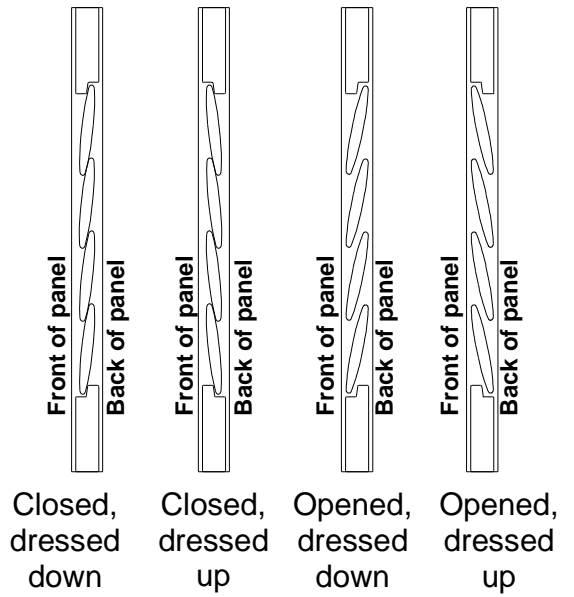
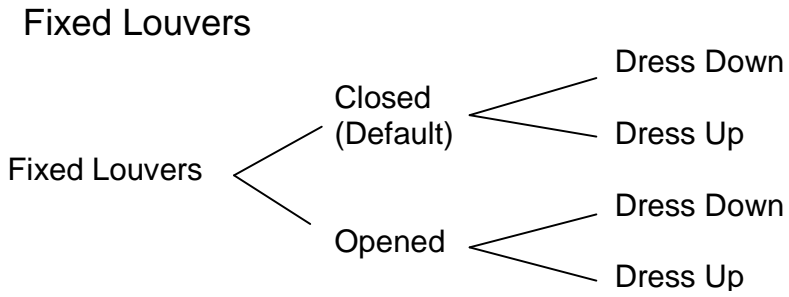


### Double-Hung Shutters\*

- For total number of panels, please include panels in both rows.
- Bifold panel is not available under this option.
- For panel configuration, please provide panel fold for one row.
- The default location for the division point is the center unless specified otherwise.
- Horizontal T Post\* can be added for increased structural integrity.
- The length of Horizontal T post in each section must be less than or equal to 48".
- For Double Hung shutter, whenever an upper or lower panel is larger than 78", we will add one more extra hinge for it, we will also attempt to create larger top/bottom rails for additional strength by reducing the number of louvers by one as long as the rail sizes remain within spec.
- **Bifold panel configuration (including LL/RR/LLRR) is not available for Double Hung.**



# Woodlore® Shutters



# Pricing

<b>1) By Max Frame-to-Frame Measurement:</b>						
<b>Regular Shutter</b>						
Inside and Outside Mount	Width	x	Height	/ 144	x	\$/sq ft
<b>Track Shutter**</b>						
Inside	Width	x	Height	/ 144	x	\$/sq ft
Semi-Inside and Outside Mount	Width	x	(Height-1½")	/ 144	x	\$/sq ft
<b>2) By Net Panel Measurement:</b>						
	Width	x	Height	/ 144	x	\$/sq ft
<b>3) By Window Size:</b>						
<b>2" Camber Deco Frame 2" Classic Deco Frame</b>	4-sided	(Width+4")	x	(Height+4")	/ 144	x \$/sq ft
	3-sided with Sill Plate	(Width+4")	x	(Height+4")	/ 144	x \$/sq ft
	3-sided	(Width+4")	x	(Height+2")	/ 144	x \$/sq ft
	2 sided with Sill Plate	(Width+4")	x	(Height+2")	/ 144	x \$/sq ft
	2-sided	(Width+4")	x	(Height)	/ 144	x \$/sq ft
<b>3" Ridge Deco Frame</b>	4-sided	(Width+6")	x	(Height+6")	/ 144	x \$/sq ft
	3-sided with Sill Plate	(Width+6")	x	(Height+6")	/ 144	x \$/sq ft
	3-sided	(Width+6")	x	(Height+3")	/ 144	x \$/sq ft
	2-sided with Sill Plate	(Width+6")	x	(Height+3")	/ 144	x \$/sq ft
	2-sided	(Width+6")	x	(Height)	/ 144	x \$/sq ft
<b>2.5" Mission deco frame</b>	4-sided	(Width+5")	x	(Height+5")	/ 144	x \$/sq ft
	3-sided	(Width+5")	x	(Height+2.5")	/ 144	x \$/sq ft
	2-sided	(Width+5")	x	(Height)	/ 144	x \$/sq ft
<b>3" Crown Z Frame</b>	4-sided	(Width+4 ½")	x	(Height+4½")	/ 144	x \$/sq ft
	3-sided with Sill Plate	(Width+4 ½")	x	(Height+4½")	/ 144	x \$/sq ft
	3-sided	(Width+4 ½")	x	(Height+2¼")	/ 144	x \$/sq ft
	2-sided with Sill Plate	(Width+4 ½")	x	(Height+2¼")	/ 144	x \$/sq ft
	2-sided	(Width+4 ½")	x	(Height)	/ 144	x \$/sq ft

Pricing

<b>2" Bel Air Z Frame 2" Bullnose Z Frame</b>	4-sided	(Width+2 ½")	x	(Height+2½")	/ 144	x	\$/sq ft
	3-sided with Sill Plate	(Width+2 ½")	x	(Height+2½")	/ 144	x	\$/sq ft
	3-sided	(Width+2 ½")	x	(Height+1¼")	/ 144	x	\$/sq ft
	2-sided with Sill Plate	(Width+2 ½")	x	(Height+1¼")	/ 144	x	\$/sq ft
	2-sided	(Width+2 ½")	x	(Height)	/ 144	x	\$/sq ft
<b>1.5" Bullnose Z Frame 1 ¼ " Beaded Z Frame/ Bullnose Tilt Out Z Frame</b>	4-sided	(Width+2")	x	(Height+2")	/ 144	x	\$/sq ft
	3-sided with Sill Plate (N/A w/ Tilt out Z)	(Width+2")	x	(Height+2")	/ 144	x	\$/sq ft
	3-sided	(Width+2")	x	(Height+1")	/ 144	x	\$/sq ft
	2-sided with Sill Plate (N/A w/ Tilt out Z)	(Width+2")	x	(Height+1")	/ 144	x	\$/sq ft
	2-sided	(Width+2")	x	(Height)	/ 144	x	\$/sq ft
<b>Vintage Hang Strip</b>	Inside	Width	x	Height	/ 144	x	\$/sq ft
	Outside 4-sided	(Width+3")	x	(Height+3")	/ 144	x	\$/sq ft
	Outside 3-sided	(Width+3")	x	(Height+1½")	/ 144	x	\$/sq ft
	Outside 2-sided	(Width+3")	x	(Height)	/ 144	x	\$/sq ft
<b>Vintage L Frame Beaded L Frame</b>	Outside 4-sided	(Width+3")	x	(Height+3")	/ 144	x	\$/sq ft
	Outside 3-sided	(Width+3")	x	(Height+1½")	/ 144	x	\$/sq ft
	Outside 2-sided	(Width+3")	x	(Height)	/ 144	x	\$/sq ft
<b>Track Shutter**</b>							
Inside and Semi-Inside Mount		Width	x	Height	/144	x	\$/sq ft
Outside Mount		(Width+3")	x	(Height+3")	/144	x	\$/sq ft

1 side frame price:

2" Camber Deco Frame	1-sided	(Width+2")	x	(Height)	/ 144	x	\$/sq ft
2" Classic Deco Frame	1-sided	(Width)	x	(Height+2")	/ 144	x	\$/sq ft
3" Ridge Deco Frame	1-sided	(Width+3")	x	(Height)	/ 144	x	\$/sq ft
	1-sided	(Width)	x	(Height+3")	/ 144	x	\$/sq ft
2 1/2" Mission deco frame	1-sided	(Width+2 1/2")	x	(Height)	/ 144	x	\$/sq ft
	1-sided	(Width)	x	(Height+2 1/2")	/ 144	x	\$/sq ft
3" Crown Z Frame	1-sided	(Width+2 1/4")	x	(Height)	/ 144	x	\$/sq ft
	1-sided	(Width)	x	(Height+2 1/4")	/ 144	x	\$/sq ft
2" Bel Air Z Frame	1-sided	(Width+1 1/4")	x	(Height)	/ 144	x	\$/sq ft
2" Bullnose Z Frame	1-sided	(Width)	x	(Height+1 1/4")	/ 144	x	\$/sq ft
1 1/2" Bullnose Z Frame	1-sided	(Width+1")	x	(Height)	/ 144	x	\$/sq ft
1 1/4" Beaded Z Frame	1-sided	(Width)	x	(Height+1")	/ 144	x	\$/sq ft
Bullnose Tilt Out Z Frame							
Vintage Hang Strip	Outside 1-sided	(Width+1 1/2")	x	(Height)	/ 144	x	\$/sq ft
	Outside 1-sided	(Width)	x	(Height+1 1/2")	/ 144	x	\$/sq ft
Vintage L Frame	Outside 1-sided	(Width+1 1/2")	x	(Height)	/ 144	x	\$/sq ft
Beaded L Frame							
Beaded L with 1/4" Light Block							
Beaded L with 1/2" Buildout							
Beaded L with 1" Buildout	Outside 1-sided	(Width)	x	(Height+1 1/2")	/ 144	x	\$/sq ft
Vintage L with 1/4" Light Block							
Vintage L with 1/2" Buildout							
Vintage L with 1" Buildout							