

HONEYCOMB SHADES

BRACKET AND HEADRAIL MOUNTING GUIDE

Take to the window to determine headrail placement

LARGE HEADRAIL

Inside Mount (IB)

Minimum Mounting Depth: 1-1/2"
Minimum Mounting Depth (Flush Mount) 3"

Outside Mount (IB)

Minimum Mounting Surface: 1-1/2"
Recommended width overlap (per side): 2"*
* 3" if battery pack is to be mounted on the back of the headrail

PREMIUM HEADRAIL

Inside Mount (IB)

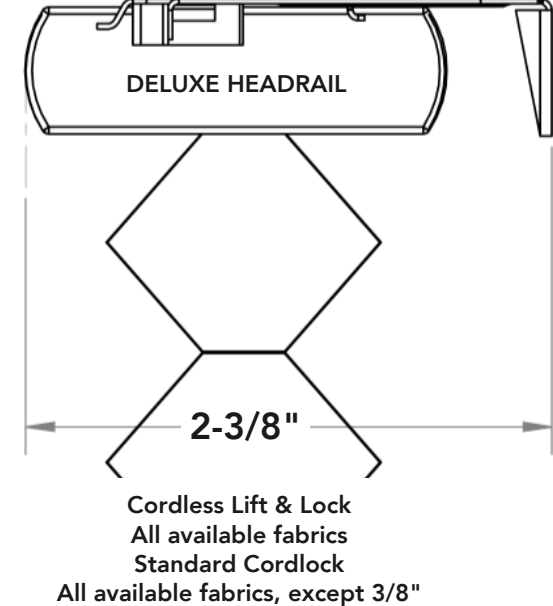
Minimum Mounting Depth: 3/4"
Minimum Mounting Depth (Flush Mount): 2-1/4"

Outside Mount (IB)

Minimum Mounting Surface: 1-1/2"
Recommended width overlap (per side): 2"*
* 3" if battery pack is to be mounted on the back of the headrail

Note: When a motorized system is selected, please consider the added mounting depth needed if the battery pack is mounted on the back of the headrail.

Note: Due to the unique construction of the fabric, when a shade using Dimensions is made on either the Premium or Deluxe rail, it will extend approx 1/2" behind the headrail when stacked. Please add 1/2" to the minimum mounting depth on these applications and consider adding spacer blocks or extension brackets to your order.



DELUXE HEADRAIL

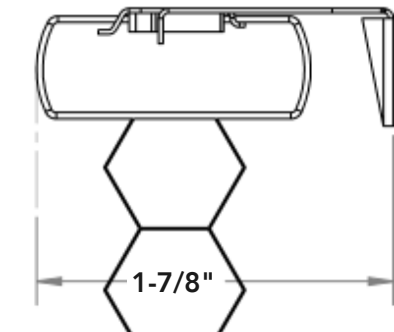
Inside Mount (IB)

Minimum Mounting Depth: 2"
Minimum Mounting Depth (Flush Mount): 2-3/8"

Outside Mount (IB)

Minimum Mounting Surface: 3/4"
Recommended width overlap (per side): 2"

SMALL DELUXE HEADRAIL
Standard Cordlock
3/8" fabrics



SMALL DELUXE HEADRAIL

Inside Mount (IB)

Minimum Mounting Depth: 3/4"
Minimum Mounting Depth (Flush Mount): 1-7/8"

Outside Mount (IB)

Minimum Mounting Surface: 3/4"
Recommended width overlap (per side): 2"