

Automation: Prior to installation, pair the shade to the remote control using the programming instructions that are included with the remote control.

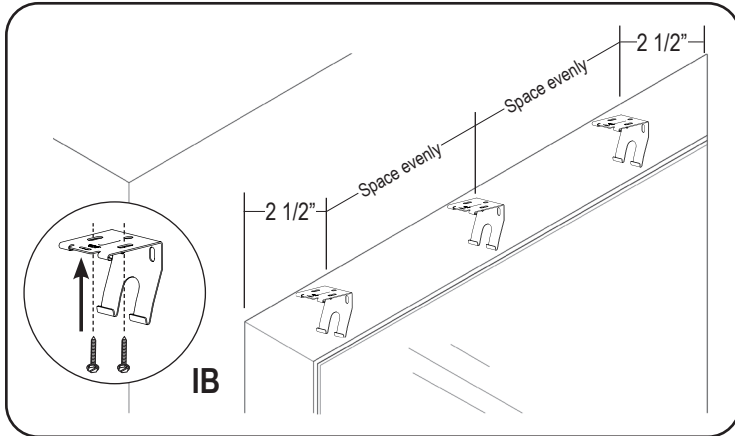
See additional safety instructions below.

Cordless Lift: Do not remove lock pin until the shade is installed. Please see instructions for Cordless Lift detailed below.

Continuous Loop Control: Please review the installation instructions for the chain tensioner by [clicking on this link](#).

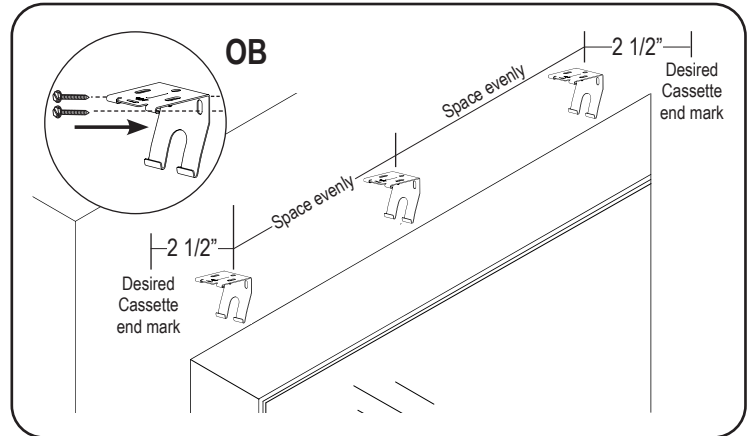
1. Install the Brackets

Important: Make sure the mounting surface is level. Brackets must be in line and level for shade to operate properly.



Inside Mount IB:

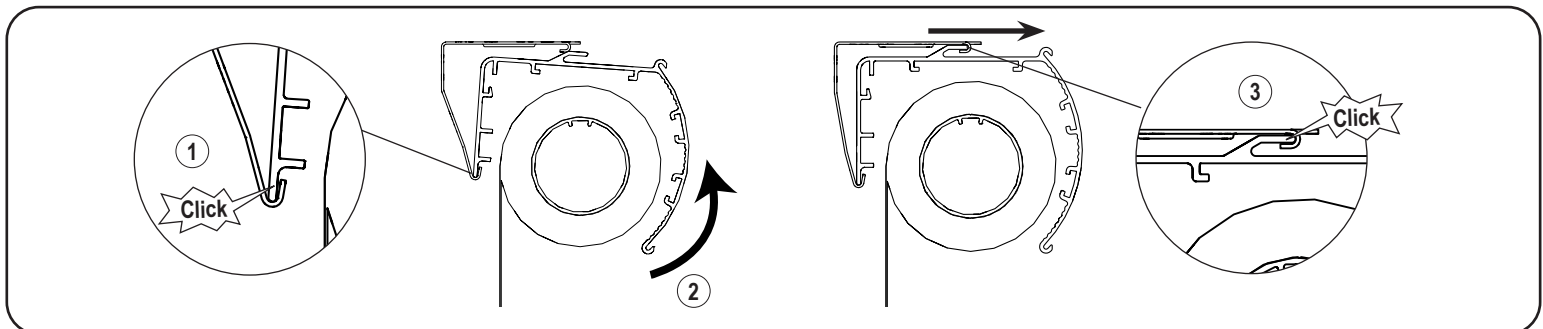
- Measure 2 1/2" inward from each side of the window frame.
- Using the screws provided, install the brackets leveled and aligned to each other.
- If applicable, evenly space out additional brackets between the brackets on both ends.
- See "IB" image above.



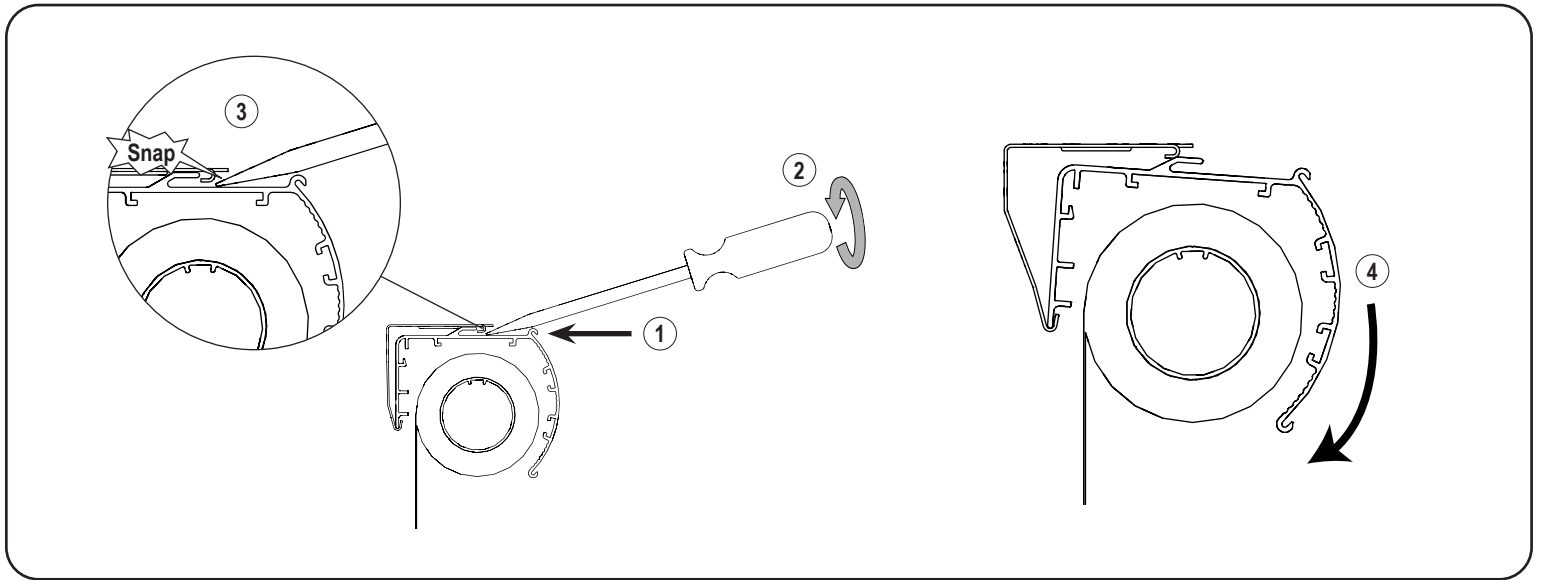
Outside Mount OB:

- Center the shade over the window opening at the desired height & width.
- Mark the location of the "Desired Cassette end mark" on both ends of the cassette.
- Measure 2 1/2" inward from the "Desired Cassette end marks" for the location of the brackets. If applicable, evenly space out the additional brackets between the brackets on both ends.
- Using the screws provided, install the brackets leveled and aligned to each other.
- See "OB" image above.

2. Attach the Shade

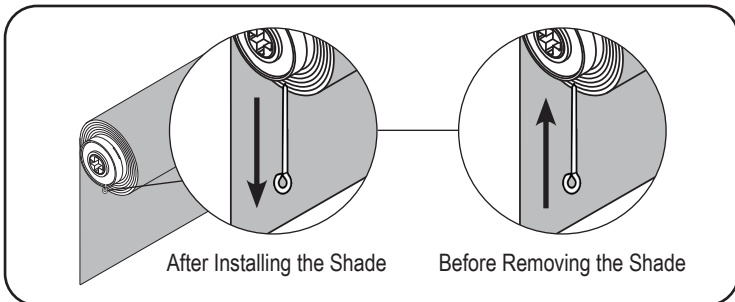


3. Removal of Shade (Only if Necessary)



Additional Instructions for Specific Operating Systems & Options

Cordless Lift - Lock pin



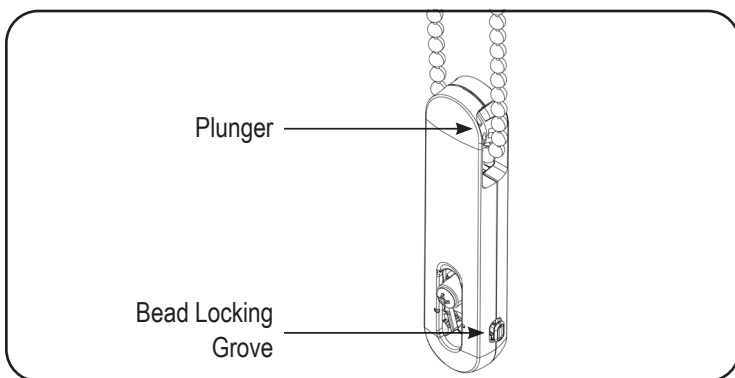
Note: Illustration shown without a Cassette for clarity.

Important: Do not pull the lock pin until shade is securely assembled onto the brackets. Keep the lock pin in a safe place after it has been removed from the installed shade. The lock pin will be needed again if the shade needs to be removed.

With the shade installed and prior to operating, remove the lock pin by pulling it downward.

If the shade needs to be removed, raise the shade and **insert the lock pin back into the shade prior to removing the shade** from the installation brackets; before Step 1 on the Removal of Shade instructions above.

Continuous Loop Control - Tensioner

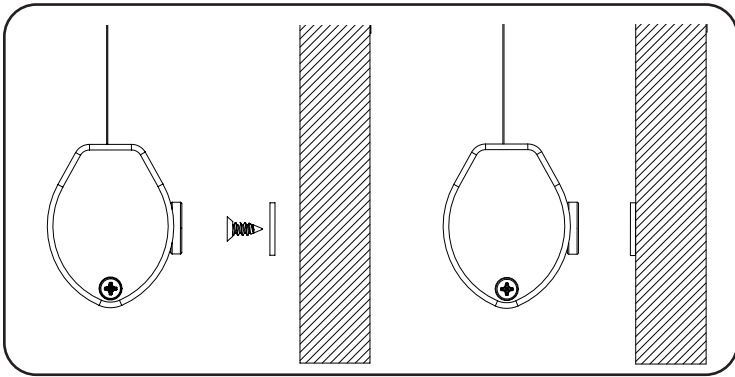


NOTE: For the shade to operate properly, the tensioner must be correctly mounted and secured.

[Click on this link](#) for Installation Instructions for the Bead Chain Loop with Universal Cord Tensioner

INSTALLATION INSTRUCTIONS

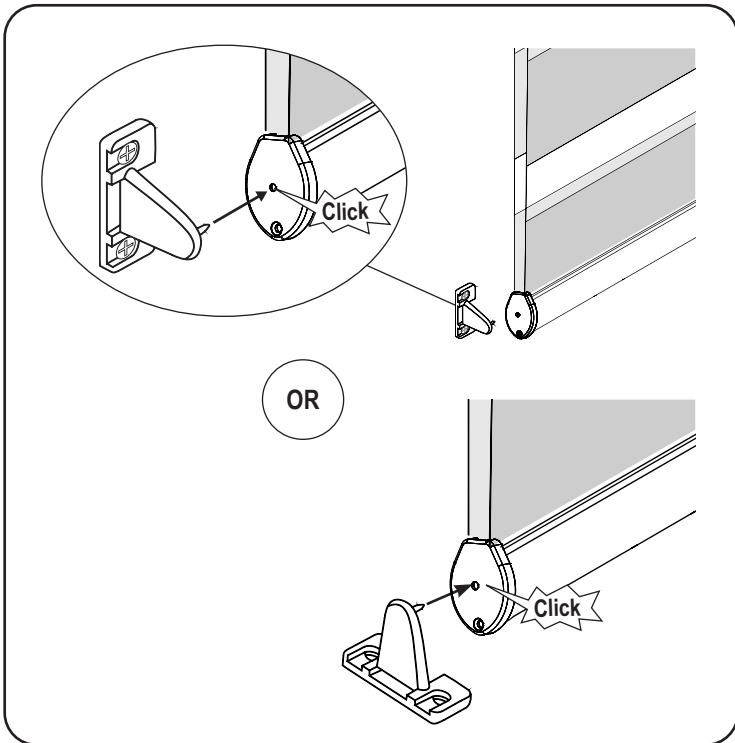
Install Magnetic Hold-Down Brackets



Important: Magnetic hold-down is available for outside mount (OB) and for all operating systems. The magnets will be pre-installed onto the bottom rail. The round catch plate will be provided.

Lower the shade to align the magnet with the location for the catch. Once location has been identified, mark the position of the catch onto the wall by pressing the screw into the wall. Raise the shade and install the catch plate to the marking made and with the screw provided.

Install Standard Hold Down Brackets



- Lower the blind until the bottom rail is resting on the window sill.
- With the hold-downs attached to the end caps, mark on the mounting surface of the desired bracket locations.
- Making sure the brackets are level, install the hold-downs using the two screws provided.

Child Safety

Young children can be **STRANGLING** in cord loops and in the loop above the cord stop. Always keep cords out of children's reach.

- Move cribs, playpens and other furniture away from cords. Children can climb furniture to get to cords.
- Do not tie cords together.
- Make sure cords do not twist together and create a loop.

⚠ WARNING ⚠ ADVERTENCIA	
Window Blind Cord Strangulation Risk Window Blinds with a damaged or loose tension device or retractable cord that fails to fully retract pose a strangulation risk to children. To avoid this potential strangulation risk, consider purchasing cordless products or products with inaccessible cords.	
Riesgo de Estrangulamiento en Cuerdas de Persianas Las persianas con un dispositivo tensor suelto o dañado o con una cuerda retractable que no se ajusta completamente representan un riesgo de estrangulación para los niños. Para evitar un posible riesgo de estrangulamiento, considere comprar productos inalámbricos o productos con cuerdas inaccessibles.	

When shades are fully lowered and the bottom rail is attached to either hold down brackets, detach the bottom rail from the brackets/catches before raising the shade.

UPDATED SAFETY INSTRUCTIONS FOR AUTOMATED SHADES

Any accessible electrical wire must be less than 22 cm in overall length. Any accessible wires that are a power source for automated shades MUST meet one of the following requirements:

Option 1

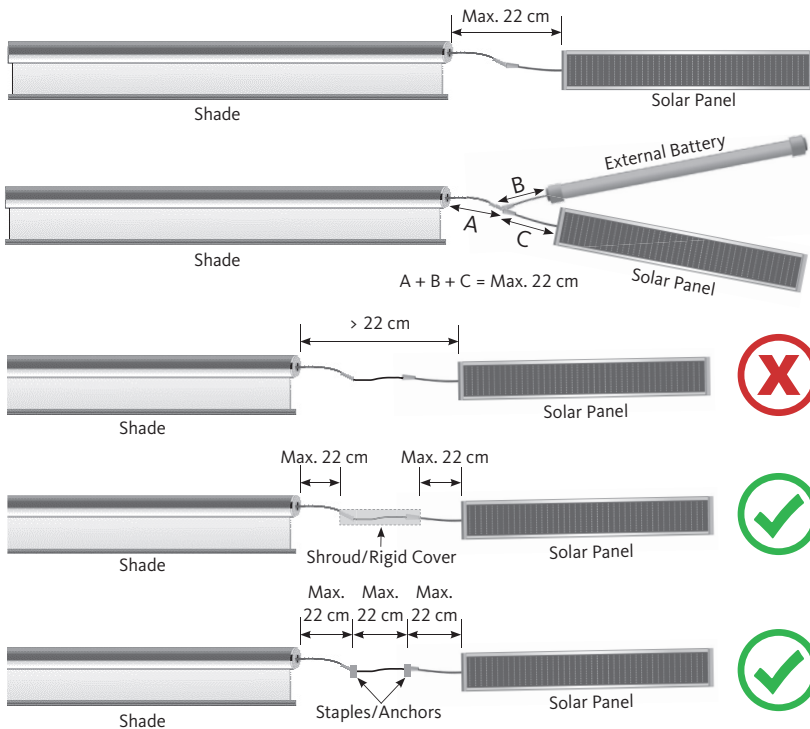
The accessible electrical wire must be shrouded with a rigid cover so they are unaccessible and cannot be touched when installed.

Option 2

The accessible electrical wire must be installed by stapling/anchoring it at intervals of less than 22 cm. The staples/anchors should not be removable with a minimum of 35 Nm of force. The stapling/anchoring makes the electrical wire unaccessible.

Option 3

A combination of option 1 and option 2; the use of a shroud/rigid cover and stapling/anchoring the electrical wires at intervals of less than 22cm make the electrical wire unaccessible.



⚠ WARNING

STRANGULATION HAZARD - Young children can be strangled by cords. Immediately remove this product if a cord longer than 22 cm or a loop exceeding 44 cm around becomes accessible.

⚠ MISE EN GARDE

RISQUE D'ÉTRANGLEMENT - Les enfants en bas âge peuvent s'étrangler avec des cordes. Enlevez immédiatement ce produit si une corde mesurant plus de 22 cm devient accessible ou si le contour d'une boucle de plus de 44 cm devient accessible.

