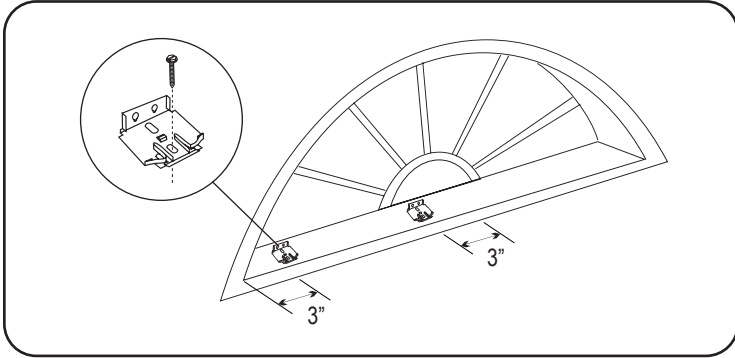
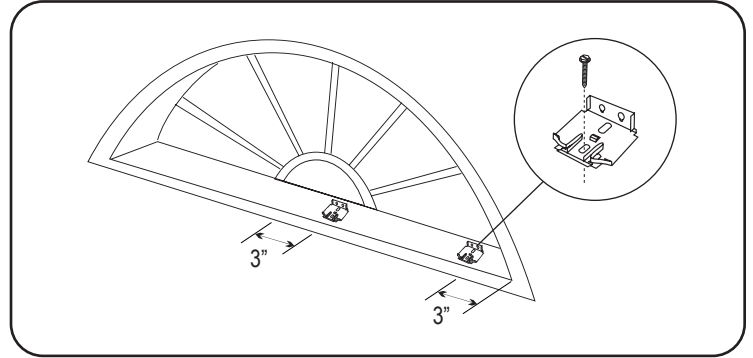


1. Installing the Brackets

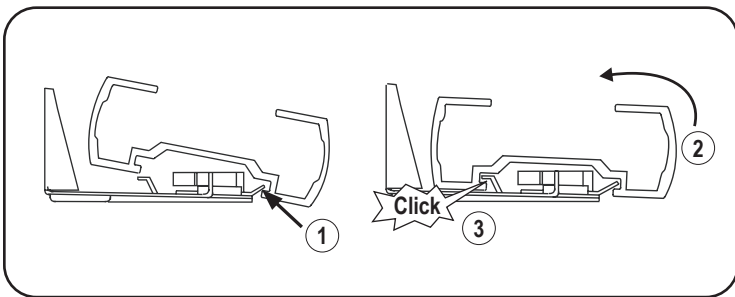


Shades stacking on the left, mount one installation bracket approximately 3" from the left side of the opening and the other bracket 3" to the left of the center of the window opening.

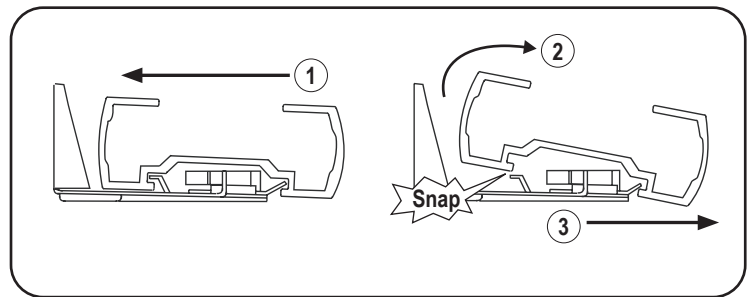


Shades stacking on the right, mount one installation bracket approximately 3" from the right side of the opening and the other bracket 3" to the right of the center of the window opening.

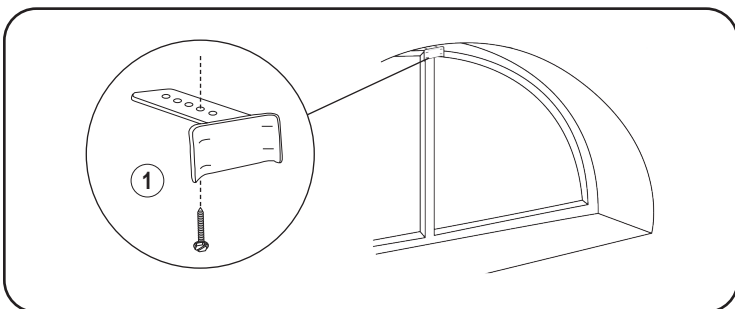
2. Install the Headrail



2a. Remove the Headrail — Only if necessary



3. Install the Top Clip

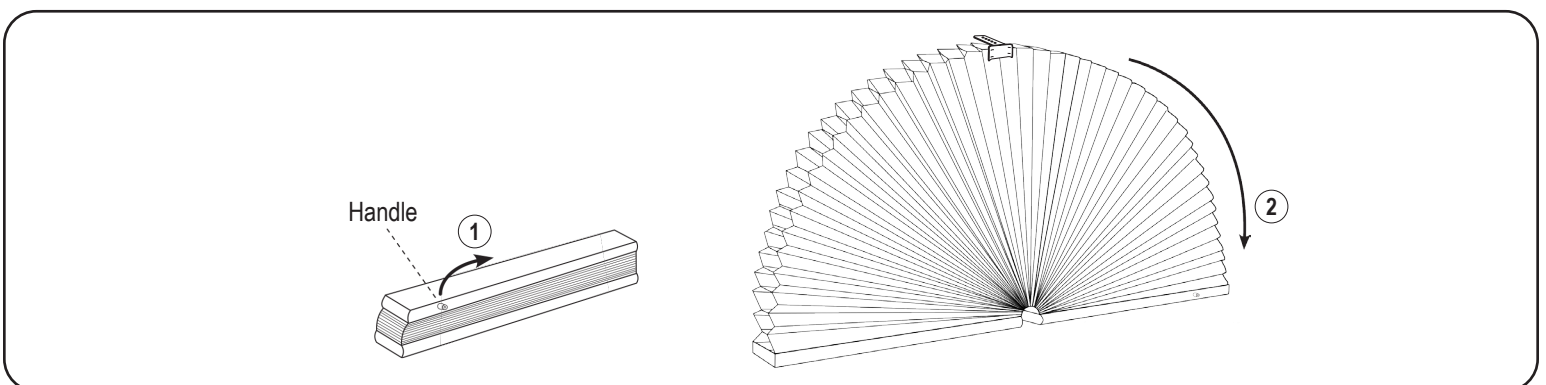


(1) Mount the top clip at the top center of the arch opening.

IMPORTANT: Make sure there is clearance for the moving rail to pass behind the clip.

Note: If necessary, the length of the top clip can be trimmed with a pair of tin snips.

4. Operating the Movable Arch



INSTALLATION INSTRUCTIONS

Care and Cleaning

Occasional light vacuuming with a soft bristle attachment or gentle feather dusting is all that is required to keep your blinds looking fresh and neat. For problem stains, the shade can be removed from the mounting brackets and soaked in warm water. When damp, raise the shade tightly to re-crisp pleats.

IMPORTANT : Before using anything stronger than lukewarm water and mild detergent, test an unobtrusive corner of the shade.

