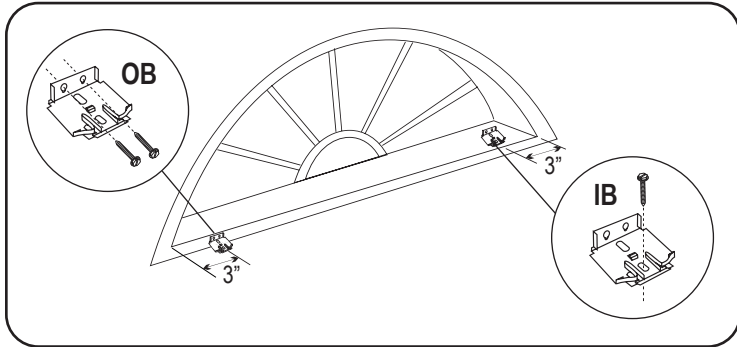


INSTALLATION INSTRUCTIONS

HONEYCOMB SHADES

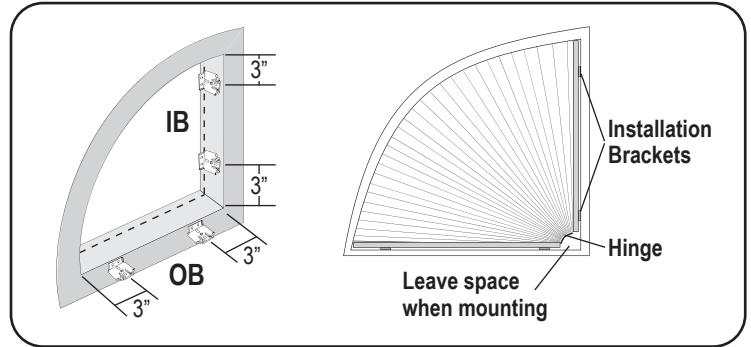
Stationary Fan Style Arch | Full/Half Circle & Quarter Round

1a. Install the Brackets — Fan Style Arch



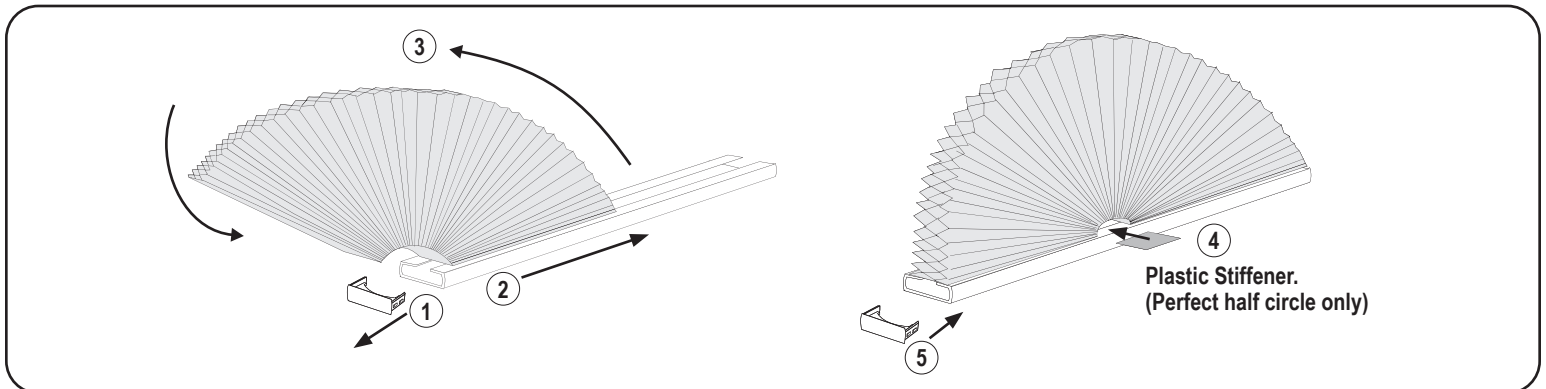
Mount end brackets 3" from each side and space any remaining brackets evenly. Make sure that all brackets are aligned and level. For the best fit on a non-perfect half circle in a deeply recessed window opening, position the brackets so that the arch is installed close to the original depth that the template was made.

1b. Install the Brackets — Quarter Round



Mount the brackets to the vertical and horizontal mounting surfaces. Place brackets approximately 3" from the bottom and the top along the vertical mounting surface. Then, place a bracket approximately 3" in from both edges of the horizontal mounting surface.

2. Shade Assembly — Fan Style Arch Only



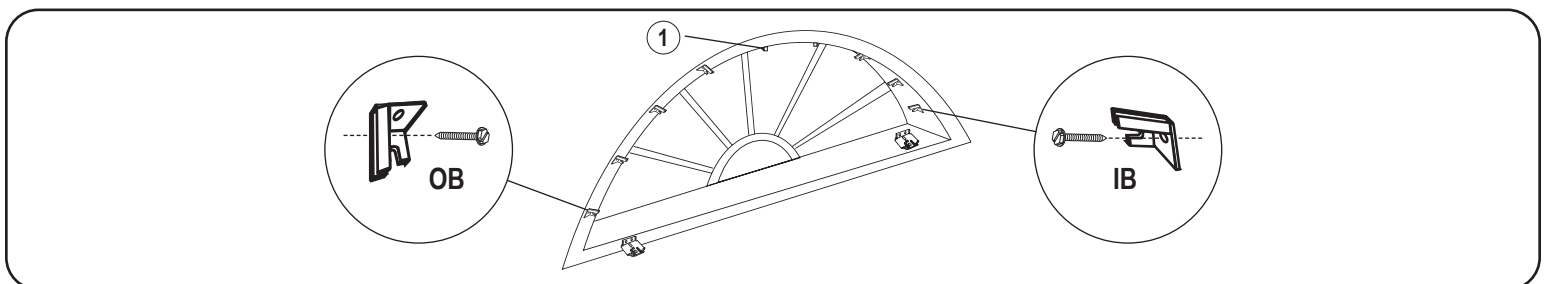
NOTE: Not perfect half circles have a straight edge on one end of the fabric and the other has a trimmed (jagged) edge. Orient the fabric so that the trimmed (jagged) edge, when fanned out, will become the outside edge of the arch. The straight side of the fabric stack will form the inner circle of the arch.

First, remove the end caps from the rail. Then, fan the fabric out and slide the free stiffened cell of the fabric into the rail so that the ends of fabric match up with the ends of the bottom rail. Inside the center of the rail, mark where the stiffened fabric ends.

For perfect half circles only, cut the plastic stiffener provided to fit the pivot opening. Then, peel the paper liner off the stiffener and adhere it to the bottom rail in the inner circle of the arch.

Finally, install the endcaps back into place; the four circular dimples on the end caps should face down.

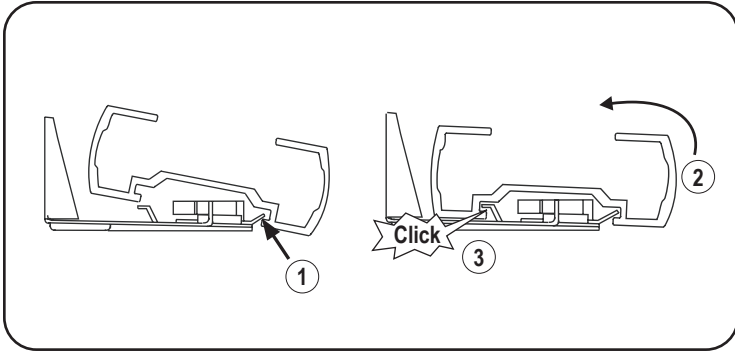
3. Arch Support Clip Installation



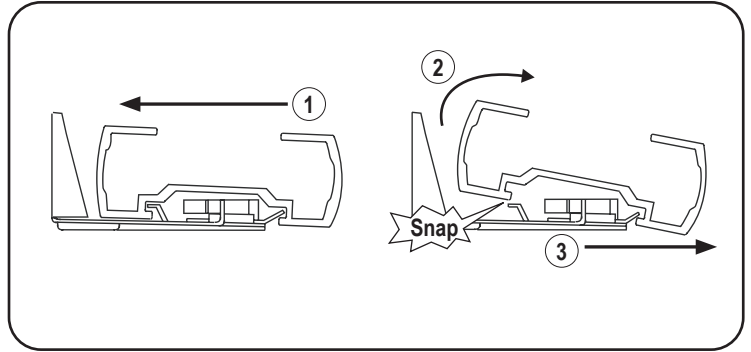
Position the clips so that the back of the clips are the same depth as the back of the installation brackets. First, place a clip at the top center of the window opening and then, space remaining clips evenly apart. Screw the arch support clips to the mounting surface through the hole in the top of the clip (IB) or through the slot in the back (OB).

INSTALLATION INSTRUCTIONS

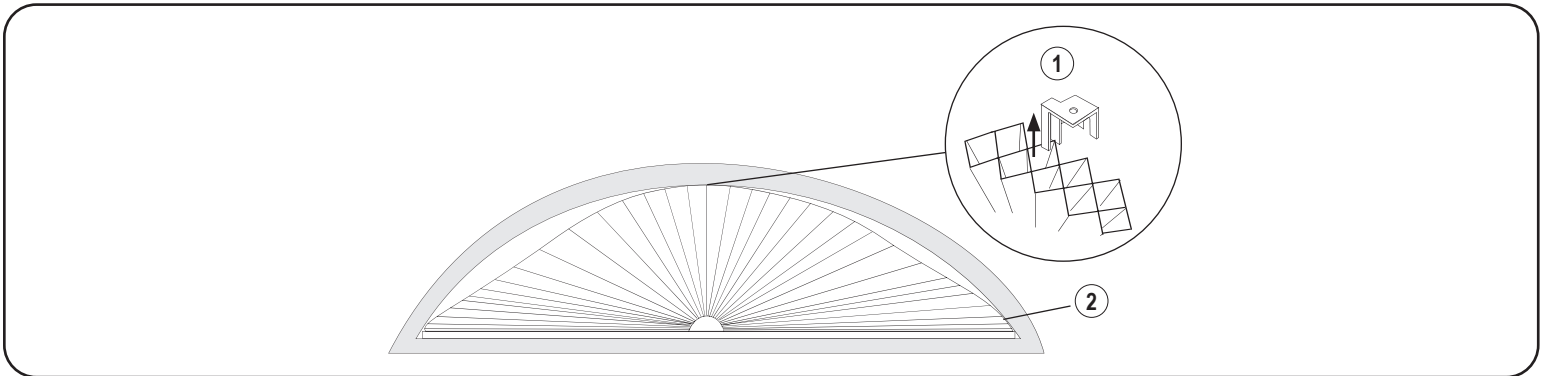
4a. Shade Installation



4b. Shade Removal — Only if necessary



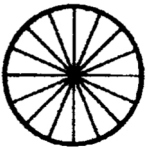
5. Place Fabric Into Clips



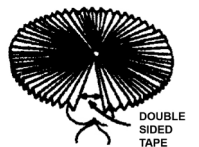
First, find the center of the fabric. Gently press on the fabric until you are able to get the back cell into the top center support clip. Then, go to the first clip up from the bottom of the arch and gently lift and fan out the fabric until the first section fits the window opening. Gently press on the fabric until you are able to get the back cell into the support clip. Repeat for remaining clips. Check the fit of the arch shade. Reposition the fabric in the clips, if necessary.

6. Install Full Circle Shades

Step One - From The Circle



Remove the backing from the double-sided tape and join the top and bottom pleats together. Be careful to align the holes on each side and to pull the cords taut at the top of the shade. Tie the cords together to further prevent the shade from opening and cut off any excess cord (see drawing at left).



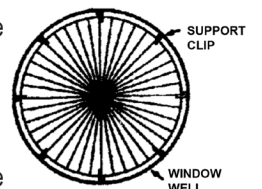
Step Two - Install The Clips

FOR INSIDE MOUNTS:

The window well should be at least 1" deep. Position the support clips so that the clip fingers are 3/4" inside the window well. Attach four support clips – one at the top and bottom and one on each side. Place the clips at the widest horizontal and tallest vertical points. Evenly space additional clips as needed for support (see drawing at right).

FOR OUTSIDE MOUNTS:

A flat surface around the window opening at least 5/8" wide is required. Position the outer edge of the clips where you want the outer edge of the circle to be. Attach four support clips – one at the top and bottom and one on each side. Place the clips at the widest horizontal and tallest vertical points. Evenly space additional clips as needed for support.



INSTALLATION INSTRUCTIONS

FOR both INSIDE AND OUTSIDE MOUNTS:

Place the shade in the window opening and insert the pleats between the clip fingers. Count the number of pleats in the shade so that the support clips divide the shade into four equal sections. With your finger, feel through the fabric around to the back of the clip. Locate the top portion of the "T" finger and bend it up to pinch the fabric in place (see drawing at left).

