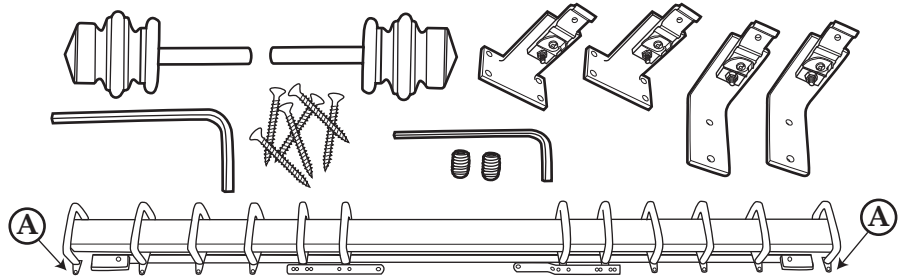


DESIGNERS' CHOICE TRAVERSING RODS

Installation Guide

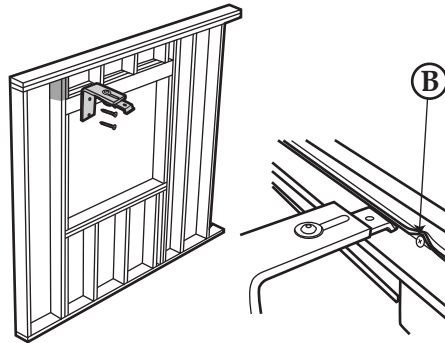
1. Unwrap and check all parts.
Parts will vary by order.

When ordering with rings, two stationary rings (A) are placed on each end for center open systems, one ring is placed on the stack side for one-way draw systems.

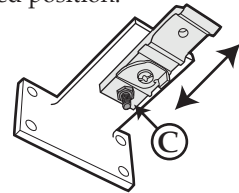


2. Designers' Choice hardware should be installed in wall studs where possible. We suggest using a density analyzer to determine stud locations.

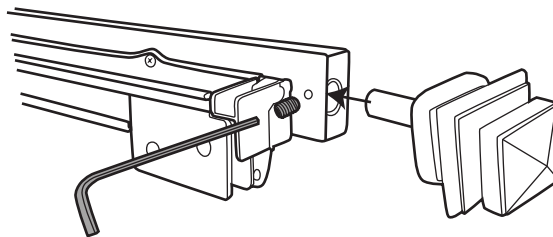
- (a) If installing in wall without stud, use heavy duty hollow wall anchors (e.g., Hillman #370012) or toggle bolts. We recommend ordering extra center supports when hollow wall anchors are being used.
- (b) Make sure support brackets do not line up with fascia screws (B).
- (c) Use level to make sure all brackets are on the same horizontal plane.



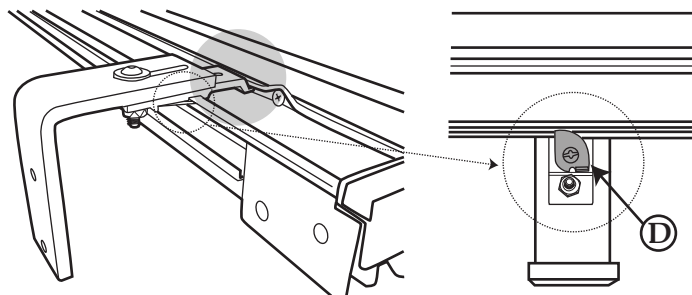
3. Adjust projection of bracket clip by loosening the screw nut (C). Adjust bracket projection as needed. Retighten the screw nut to hold the clip in desired position.



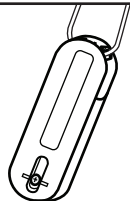
4. Install the finial in pre-drilled hole in rod. Use enclosed wrench to tighten finial screw.



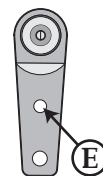
5. Clip traversing track onto the brackets on the wall; make sure track is securely in brackets. Turn the bracket clip (D) to lock the bracket with the track.



6. Test the cord to assure that rod draws smoothly. Install the floor tension pulley for the cord.



7. If installing without rings, please hang drapery from the top hole of the glide (E).



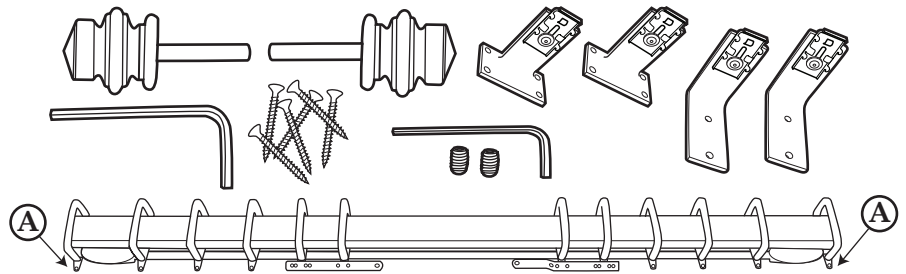
We recommend using a professional installer. While installation hardware is included, it may not be appropriate for your specific wall material or individual installation. Company will not assume any responsibility for damages incurred by inadequately supported or improperly mounted hardware.

TRAVERSING WITH SOMFY

Installation Guide

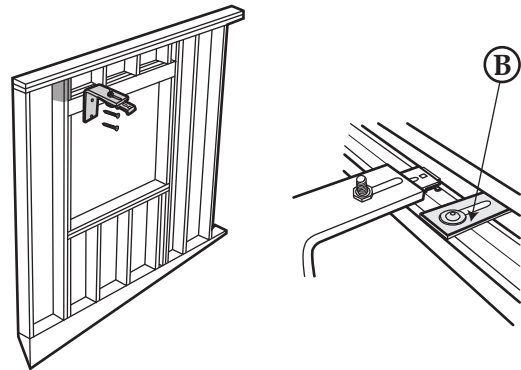
1. Unwrap and check all parts.
Parts will vary by order.

When ordering with rings, two stationary rings (A) are placed on each end for center open systems, one ring is placed on the stack side for one-way draw systems.

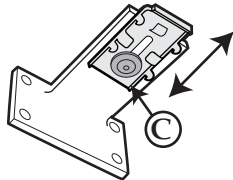


2. Traversing with Somfy hardware should be installed in wall studs where possible. We suggest using a density analyzer to determine stud locations.

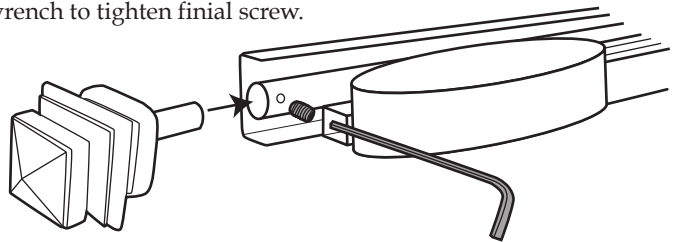
- (a) If installing in wall without stud, use heavy duty hollow wall anchors (e.g., Hillman #370012) or toggle bolts. We recommend ordering extra center supports when hollow wall anchors are being used.
- (b) Make sure support brackets do not line up with fascia attachments (B).
- (c) Use level to make sure all brackets are on the same horizontal plane.



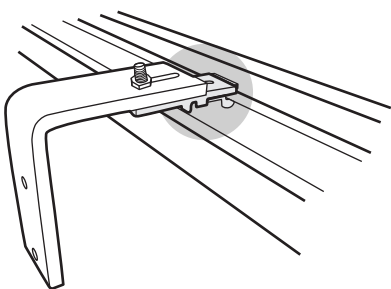
3. Adjust projection of bracket clip by loosening the screw nut (C). Adjust bracket projection as needed. Retighten the screw nut to hold the clip in desired position.



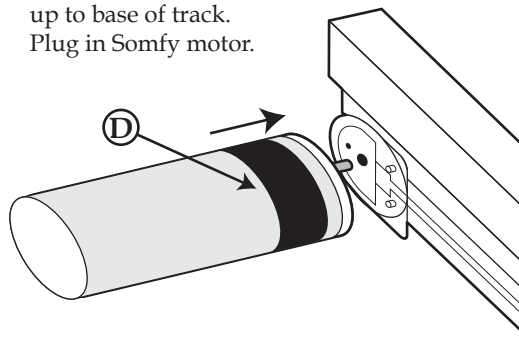
4. Install the finial in pre-drilled hole in rod. Use enclosed wrench to tighten finial screw.



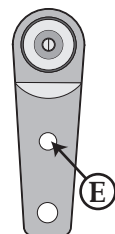
5. Clip traversing track onto the brackets on the wall; make sure track is securely in brackets.



6. Install Somfy motor. Slide finished sleeve (D) up to base of track. Plug in Somfy motor.



7. If installing without rings, please hang drapery from the top hole of the glide (E).



We recommend using a professional installer. While installation hardware is included, it may not be appropriate for your specific wall material or individual installation. Company will not assume any responsibility for damages incurred by inadequately supported or improperly mounted hardware.