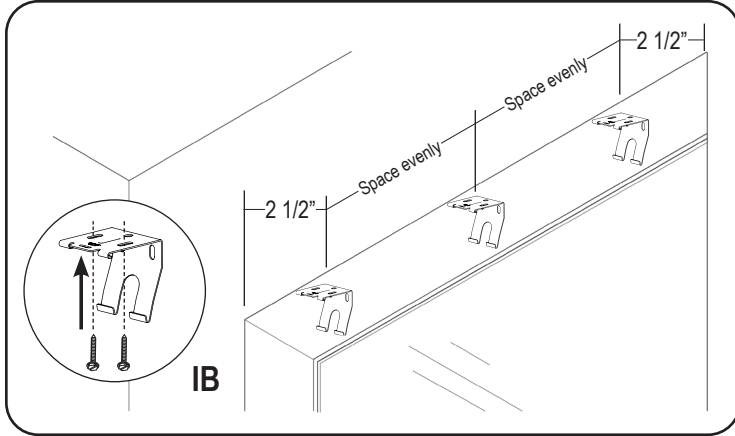


### 1. Install the Brackets

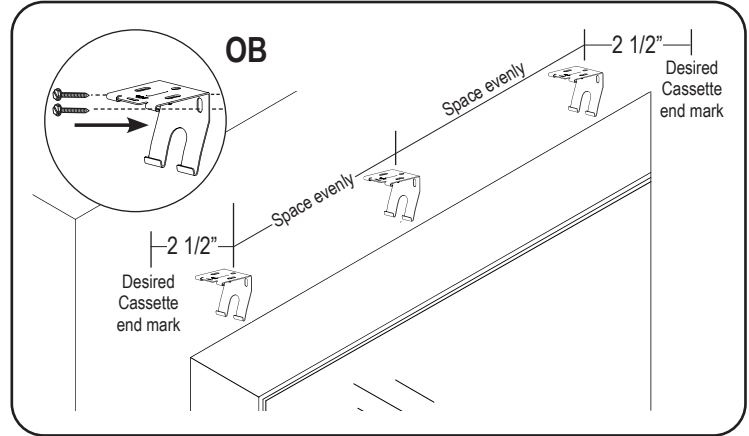
#### Medium and Large Cassette

**Important:** Make sure the mounting surface is level. Brackets must be in line and level for shade to operate properly.



#### Inside Mount IB:

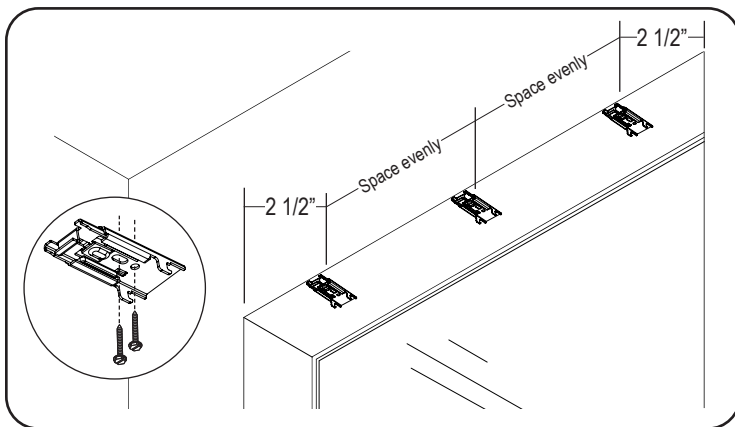
- Measure 2 1/2" inward from each side of the window frame.
- Using the screws provided, install the brackets leveled and aligned to each other.
- If applicable, evenly space out additional brackets between the brackets on both ends.
- See "IB" image above.



#### Outside Mount OB:

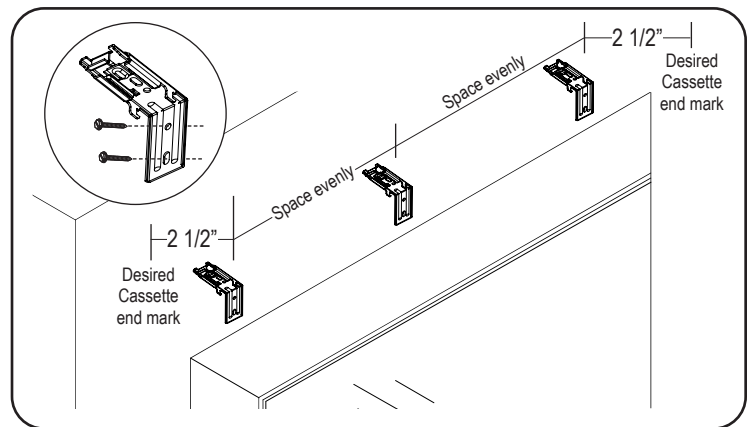
- Center the shade over the window opening at the desired height & width.
- Mark the location of the "Desired Cassette end mark" on both ends of the cassette.
- Measure 2 1/2" inward from the "Desired Cassette end marks" for the location of the brackets. If applicable, evenly space out the additional brackets between the brackets on both ends.
- Using the screws provided, install the brackets leveled and aligned to each other.
- See "OB" image above.

#### Square Cassette



#### Inside Mount IB:

- Measure 2 1/2" inward from each side of the window frame.
- Using the screws provided, install the brackets leveled and aligned to each other.
- If applicable, evenly space out additional brackets between the brackets on both ends.
- See "IB" image above.



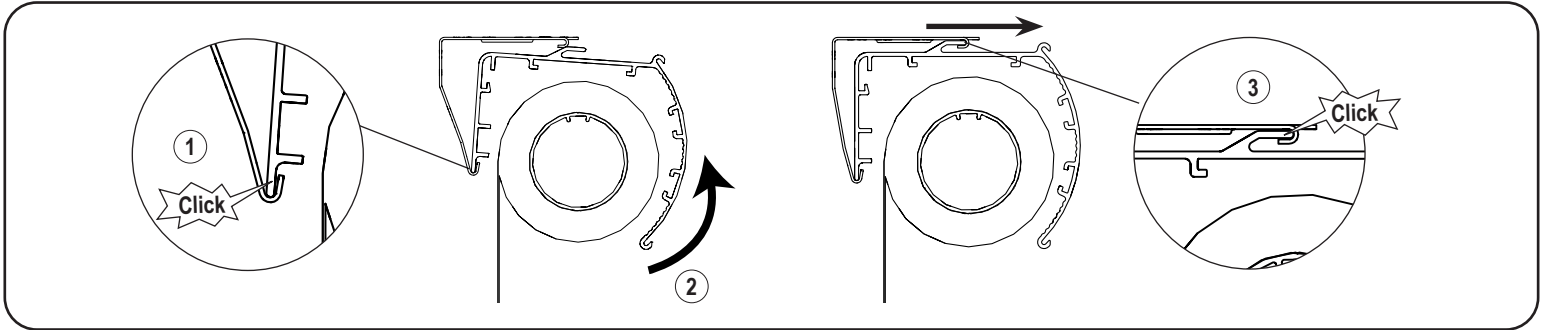
#### Outside Mount OB:

- Center the shade over the window opening at the desired height & width.
- Mark the location of the "Desired Cassette end mark" on both ends of the cassette.
- Measure 2 1/2" inward from the "Desired Cassette end marks" for the location of the brackets. If applicable, evenly space out the additional brackets between the brackets on both ends.
- Using the screws provided, install the brackets leveled and aligned to each other.
- See "OB" image above.

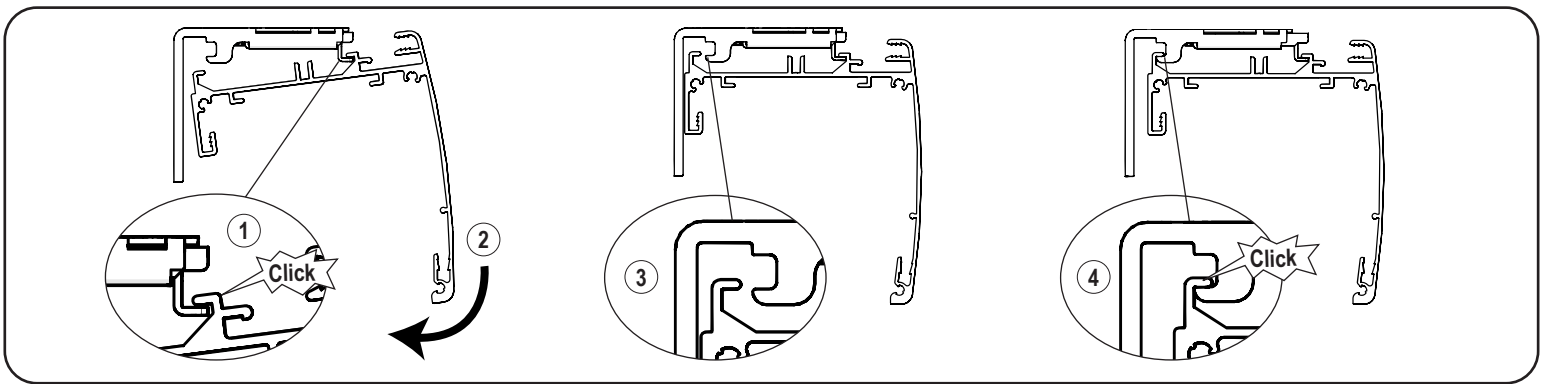
# INSTALLATION INSTRUCTIONS

## 2. Install the Shade

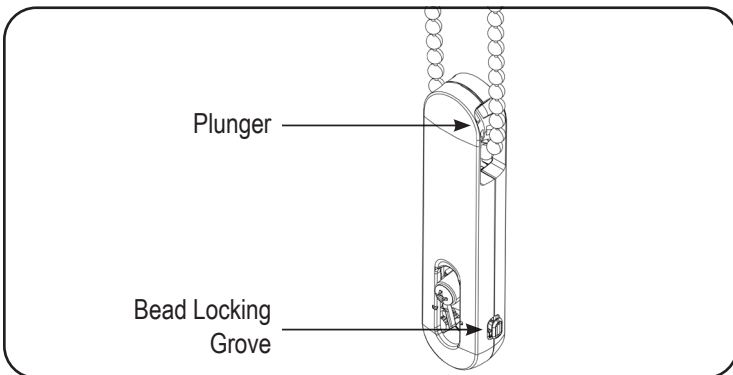
### Medium and Large Curved Cassette



### Square Cassette



## 3. Continuous Loop Control - Installation for Tensioner

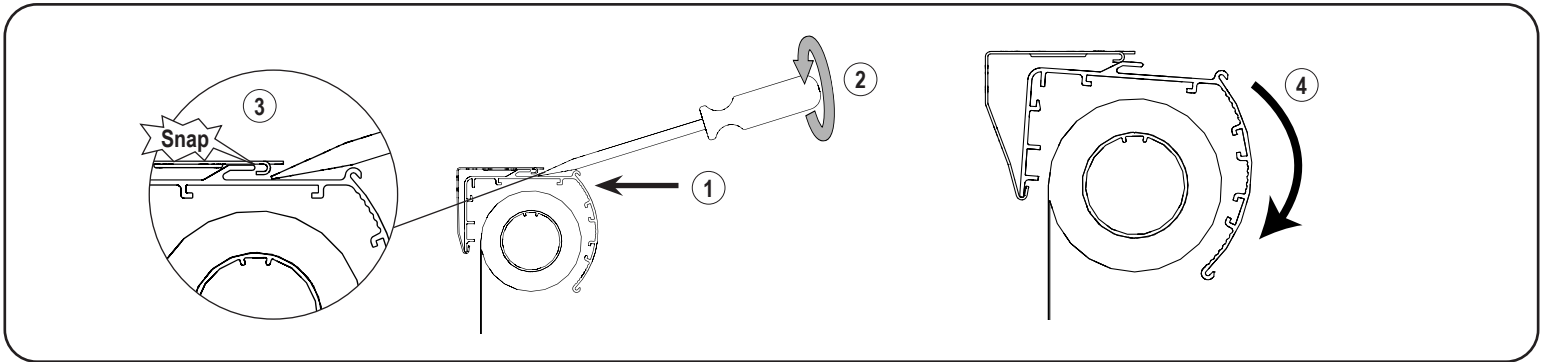


**NOTE:** For the shade to operate properly, the tensioner must be correctly mounted and secured.

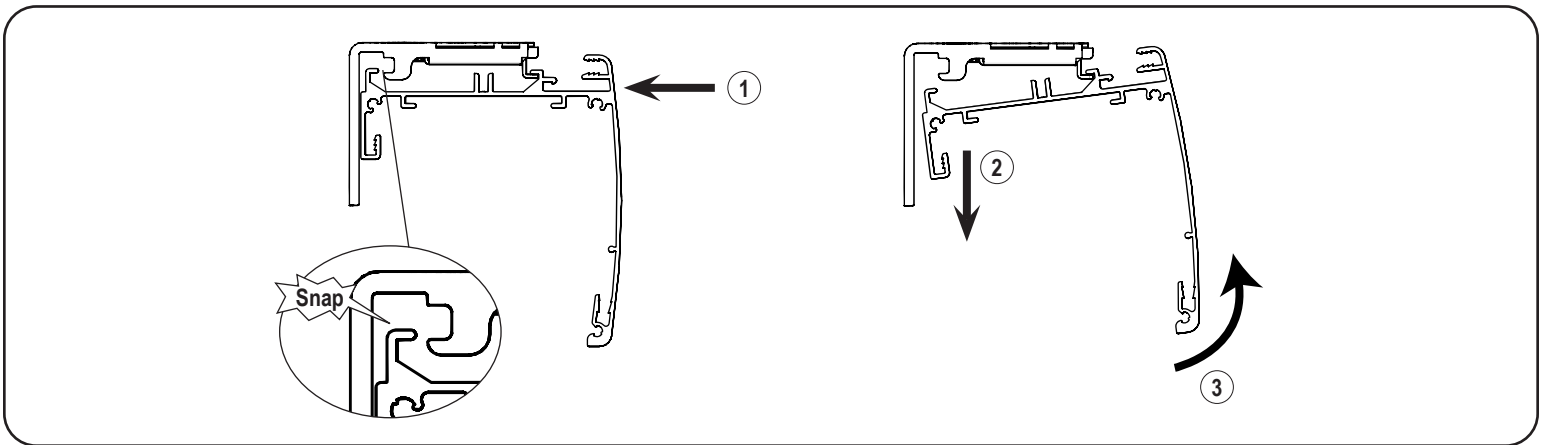
[Click this link](#) to refer to the Installation Instructions for the Bead Chain Loop, Universal Cord Tensioner

## 4. Removing the Shade (Only if Necessary)

### Medium and Large Cassette



### Square Cassette



## ADJUSTMENT TIPS

### Tension Adjustments For Cordless Lift

**Inside Mount IB:** Follow Step 4 to remove the shade from the installation bracket before adjusting the tension.

**Outside Mount OB:** Do not need to remove the shade from the installation bracket. Remove the end cap on the spring head side (left side for standard roll and right side for reverse roll).

1) Use hex key or 5mm Allen wrench to turn the spring

- Turn clockwise to add/increase tension
- Turn counterclockwise to decrease/reduce tension.

2) Reinstall the shade (and end cap if OB) after tension adjustment is complete.



### Tension Adjustments For TouchLift™

**Inside Mount IB:** Follow Step 4 to remove the shade from the installation bracket before adjusting the tension.

**Outside Mount OB:** Do not need to remove the shade from the installation bracket. Remove the end cap on the spring head side (left side for standard roll and right side for reverse roll).

1) Use hex key or 5mm Allen wrench to turn the spring

- Turn clockwise to add/increase tension
- Turn counterclockwise to decrease/reduce tension.

2) After the additional turns for tension adjustment have been completed and with the Allen wrench still inserted inside the spring head, push the Allen wrench in to activate the inner break lock before removing the Allen wrench.

3) Reinstall the shade (and end cap if OB) after tension adjustment is complete.



### Upper Limit Adjustments For TouchLift™

**Inside Mount IB:** Follow instruction on Step 4 to remove the shade from the installation bracket.

**Outside Mount OB:** Do not need to remove the shade from the installation bracket, follow below steps to adjust the upper limit.

1) Use hex key or 5mm Allen wrench to turn the spring

- Turn clockwise to lower the upper limit.
- Turn counterclockwise to raise the upper limit.

2) Reinstall the shade (and end cap if OB) after adjustment is complete.

### Child Safety

Young children can **STRANGLE** in cord loops and in the loop above the cord stop. They can also wrap cords around their necks and **STRANGLE**.

- Always keep cords out of children's reach.
- Move cribs, playpens and other furniture away from cords. Children can climb furniture to get to cords.
- Do not tie cords together.
- Make sure cords do not twist together and create a loop.

**⚠ WARNING**  
**⚠ ADVERTENCIA**

**Window Blind Cord Strangulation Risk**  
Window Blinds with a damaged or loose tension device or retractable cord that fails to fully retract pose a strangulation risk to children. To avoid this potential strangulation risk, consider purchasing cordless products or products with inaccessible cords.

**Riesgo de Estrangulamiento en Cuerdas de Persianas**  
Las persianas con un dispositivo tensor suelto o dañado o con una cuerda retractable que no se ajusta completamente representan un riesgo de estrangulamiento para los niños. Para evitar un posible riesgo de estrangulamiento, considere comprar productos inalámbricos o productos con cuerdas inaccessibles.



