

# INSTALLATION INSTRUCTIONS

Continuous Loop Control | Cordless Lift | Motorization

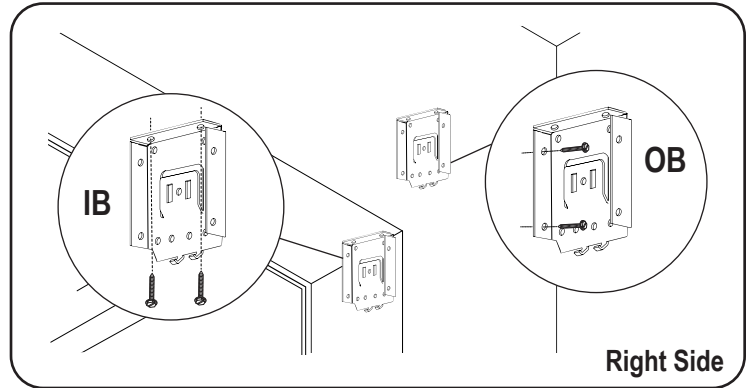
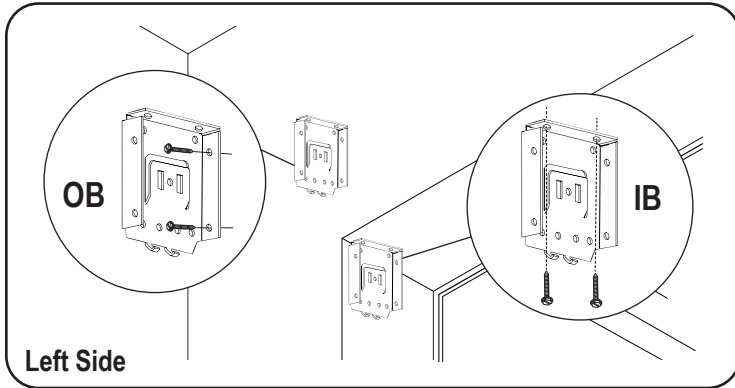
# ROLLER SHADES

Shades with Fascia

Continuous Loop Control | Cordless | Automation

**Important:** Make sure the mounting surface is level. Brackets must be aligned and level for shade to operate properly. Shim brackets if necessary.

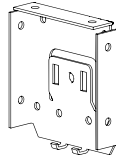
## 1. Install the Brackets



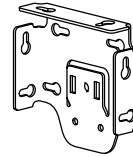
**Inside Mount (IB),** Install each bracket with two screws either through the side or up through the top. Make sure all brackets are leveled and aligned.

**Outside Mount (OB),** Secure each bracket with two screws. Make sure all brackets are level. Minimum 1 1/4" mounting surface height requirement.

3" Fascia



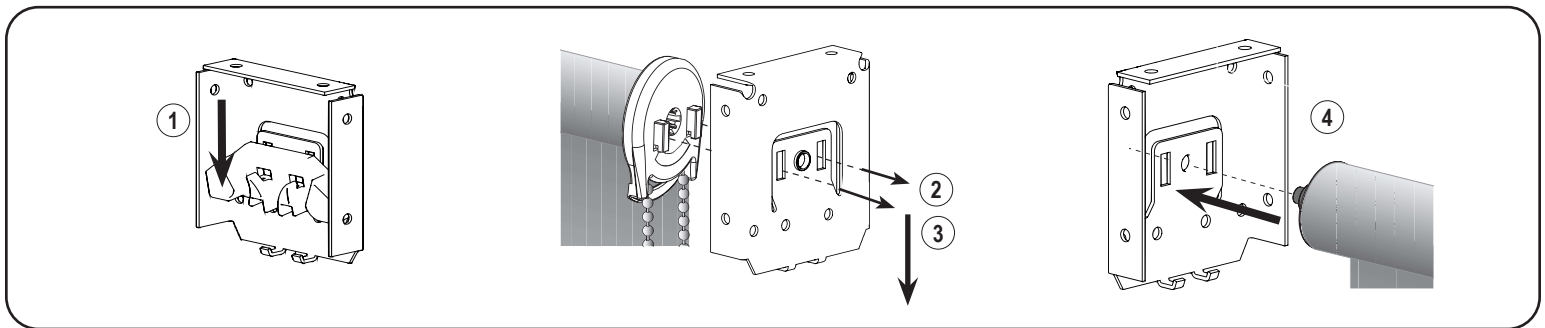
4" Fascia



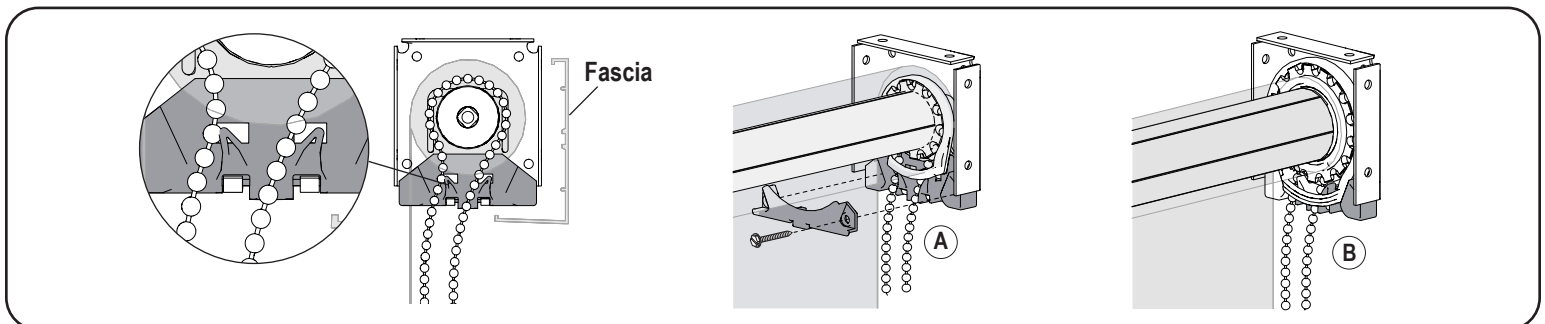
**Note:** The 3" Fascia uses a different bracket than the 4" Fascia for optimized performance.

## 2. Install the Shade

### 2a. Continuous Loop Control 3" Fascia



(1) Attach chain diverter into the clutch bracket by gently pulling down. (2) Insert the hooks on the clutch straight into the two slots in the bracket. Once the two hooks are through the slots, (3) gently pull down on the clutch until the hooks have locked securely to the bracket. (4) Place the spring loaded pin end into the round hole of the bracket.

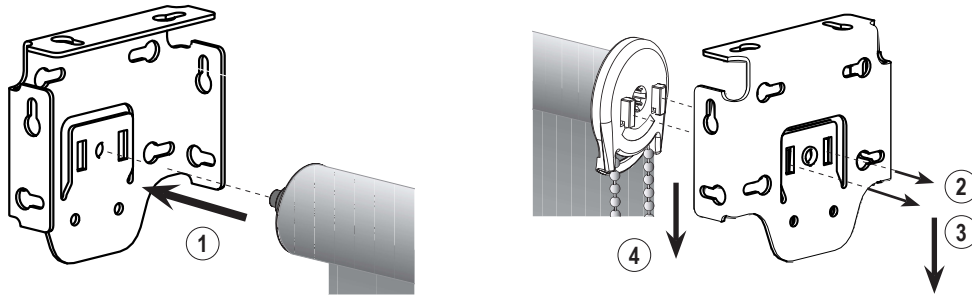


Once the roll has been installed, align the chain in the diverter as shown. This allows room for fascia attachment. For SL10 & SL15 (A), attach the chain diverter cover. If needed, secure the cover with screws. The Clutch SL20 (B) does not require a cover.

# INSTALLATION INSTRUCTIONS

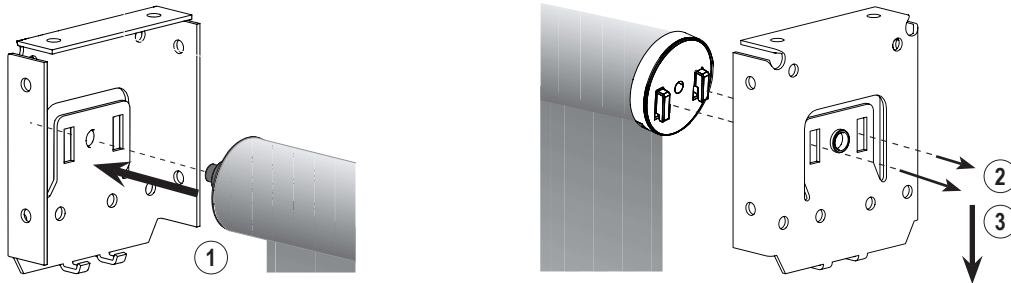
## 2. Install the Shade

### 2b. Continuous Loop Control 4" Fascia



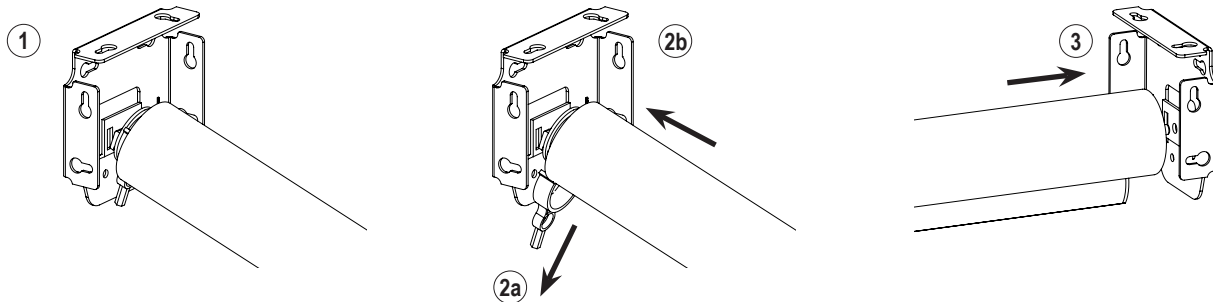
(1) Place the spring loaded pin end into the round hole of the bracket. Then, keeping the pin end secure in its bracket, (2) insert the hooks on the clutch straight into the two slots in the bracket. Once the two hooks are through the slots, (3) gently pull down on the clutch until the hooks have locked securely to the bracket. (4) The bottom of the clutch should point straight down.

### 2c. Motorization



(1) Place the spring loaded pin end into the round hole of the bracket. Then, keeping the pin end secure in its bracket, (2) insert the hooks on the motor head straight into the two slots in the bracket. Once the two hooks are through the slots, (3) gently pull down on the motor until the hooks have locked securely to the bracket. The bottom of the motor head should point straight down.

### 2d. Cordless Lift



**Important: Do not remove the red lock until shade is securely assembled onto the brackets.**

1. With the red hook still attached to the shade, angle the shade to align the hooks on the motor head to the holes in the bracket. Keep the red lock installed onto the shade.

2a. Once the hooks are inserted into the bracket, pull the red lock off and (2b) Push the shade into the bracket to securely lock the shade

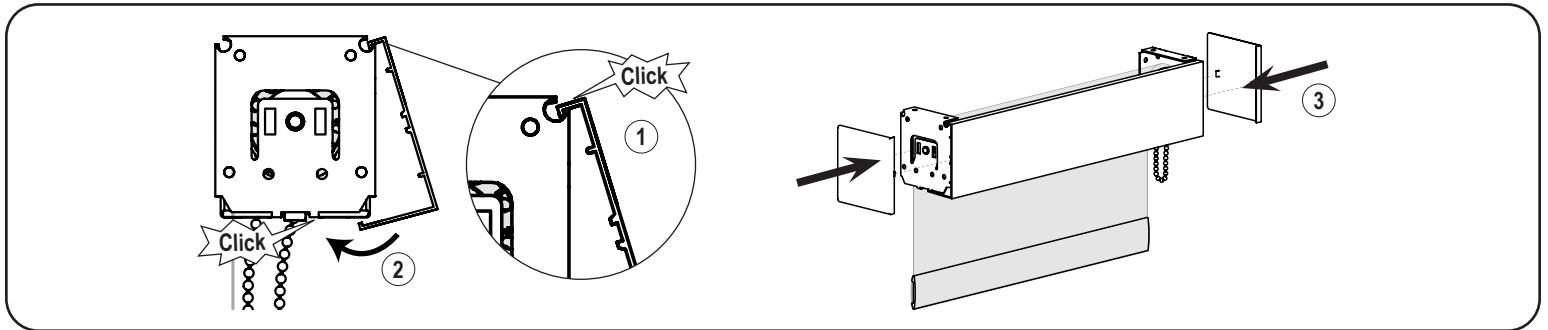
3. With the motor side of the shade locked in, insert the spring loaded pin on the other end of the shade into the round hole onto the other bracket.

**Note:** If for any reason the installation brackets need to be adjusted or the shade needs to be removed, raise the shade and insert the red lock pin to its original location prior to disengaging from the installation brackets.

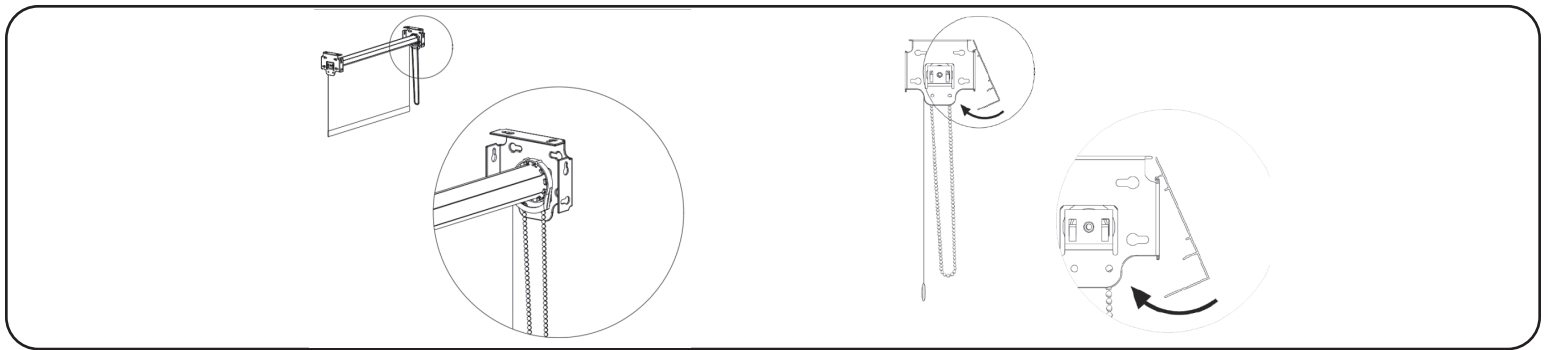
# INSTALLATION INSTRUCTIONS

## 3. Install the Fascia

### 3a. 3" Fascia



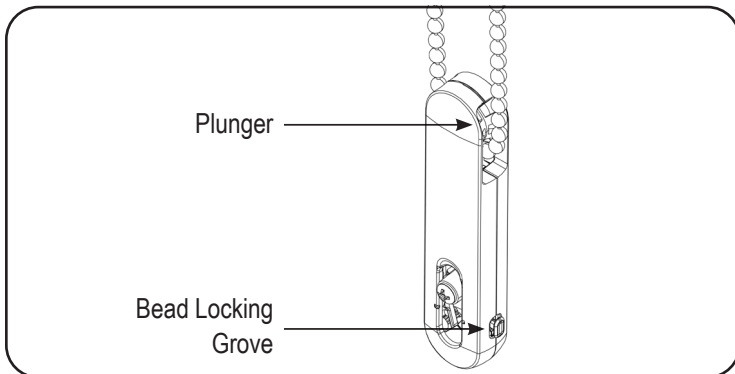
### 3b. 4" Fascia



## 4. Two-on-One

Please refer to *Roller Shades - Skyline 2-on-1 / Coupled Shades Installation Instructions*.

## 5. Attaching the Cord Tensioner

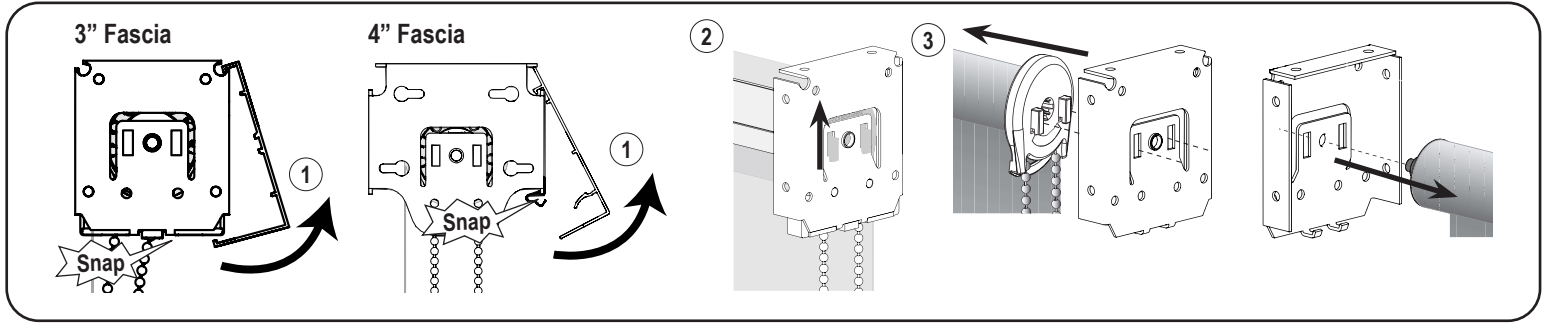


**NOTE:** For the shade to operate properly, the tensioner must be correctly mounted and secured.

[Click this link](#) to refer to the Installation Instructions for the Bead Chain Loop, Universal Cord Tensioner

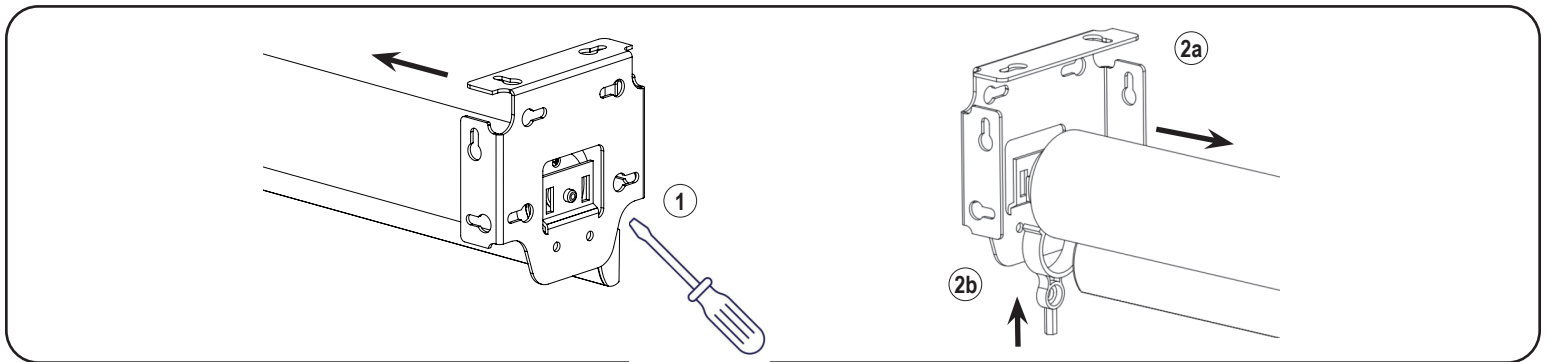
# INSTALLATION INSTRUCTIONS

## 6. Removing the Shade (Only If Necessary) — Removing the Fascia



Shade must be rolled up. 1, First, rotate upward to disengage the fascia. 2, Then, gently pull up the control unit (Clutch, Motor or Spring) until the hooks touch the top part of the bracket slot. 3, Pull the shade towards the spring loaded pin end until the hooks are complete out of the bracket slots. 4, Finally, remove the spring loaded pin end from the idler bracket.

## 7. Removing the Shade (Only if Necessary - Cordless Lift)



Prepare the shade removal with a screw driver or any pointed tool along with the red lock.

1. Use the screw driver or pointed tool to push the pin end to disengage that one side of the shade from the bracket.
- 2a. On the spring side, with the hooks attached to the bracket, slowly pull the shade toward you only until there's enough room to (2b) insert the red lock back onto the hook side of the shade (same lock location of how the shade arrived). Please do not release the hooks until the red lock is engaged.
3. The shade can be removed from the bracket only when the spring is locked with the red lock

## ADJUSTMENT TIPS

### Tension Adjustments For Cordless Lift

**Inside Mount IB:** Follow Step 7 to remove the shade from the installation bracket before adjusting the tension

**Outside Mount OB:** Do not need to remove the shade from the installation bracket. **Remove the end cap** on the spring head side (left side for standard roll and right side for reverse roll).

1) Use hex key or 5mm Allen wrench to turn the spring head (left side for standard roll and right side for reverse roll)\*\*:

- Turn clockwise to add/increase tension
- Turn counterclockwise to decrease/reduce tension.

\*\* Red lock that comes with the shade can also be use in lieu of the hex key/Allen wrench

2) Reinstall the shade (and end cap if OB) after tension adjustment is complete.



### Tension Adjustments For TouchLift™

**Inside Mount IB:** Follow instruction on Step 6 to remove the shade from the installation bracket before adjusting the tension.

**Outside Mount OB:** Do not need to remove the shade from the installation bracket. **Remove the end cap** on the spring head side (left side for standard roll and right side for reverse roll).

1) Use 5mm Allen wrench to turn the spring head (left side for standard roll and right side for reverse roll):

- Turn clockwise to add/increase tension.
- Turn counterclockwise to decrease/reduce tension.

2) After the additional turns for tension adjustment have been completed and with the Allen wrench still inserted inside the spring head, push the Allen wrench in to activate the inner break lock before removing the Allen wrench.

3) Reinstall the shade (and end cap if OB) after tension adjustment is complete.



### Upper Limit Adjustments For TouchLift™

**Inside Mount IB:** Follow instruction on Step 6 to remove the shade from the installation bracket.

**Outside Mount OB:** Do not need to remove the shade from the installation bracket, follow below steps to adjust the upper limit.

1) Use 5mm Allen wrench to turn the idle end (right side for standard roll and left side for reverse roll):

- Turn clockwise to lower the upper limit.
- Turn counterclockwise to raise the upper limit.

2) Reinstall the shade (and end cap if OB) after adjustment is complete.

### Child Safety

Young children can **STRANGLE** in cord loops and in the loop above the cord stop. They can also wrap cords around their necks and **STRANGLE**.

- Always keep cords out of children's reach.
- Move cribs, playpens and other furniture away from cords. Children can climb furniture to get to cords.
- Do not tie cords together.
- Make sure cords do not twist together and create a loop.

<b>⚠ WARNING</b> <b>⚠ ADVERTENCIA</b>	
<b>Window Blind Cord Strangulation Risk</b> Window Blinds with a damaged or loose tension device or retractable cord that fails to fully retract pose a strangulation risk to children. To avoid this potential strangulation risk, consider purchasing cordless products or products with inaccessible cords.	
<b>Riesgo de Estrangulamiento en Cuerdas de Persianas</b> Las persianas con un dispositivo tensor suelto o dañado o con una cuerda retractable que no se ajusta completamente representan un riesgo de estrangulación para los niños. Para evitar un posible riesgo de estrangulamiento, considere comprar productos inalámbricos o productos con cuerdas inaccessibles.	

# UPDATED SAFETY INSTRUCTIONS FOR AUTOMATED SHADES

Any accessible electrical wire must be less than 22 cm in overall length. Any accessible wires that are a power source for automated shades MUST meet one of the following requirements:

## Option 1

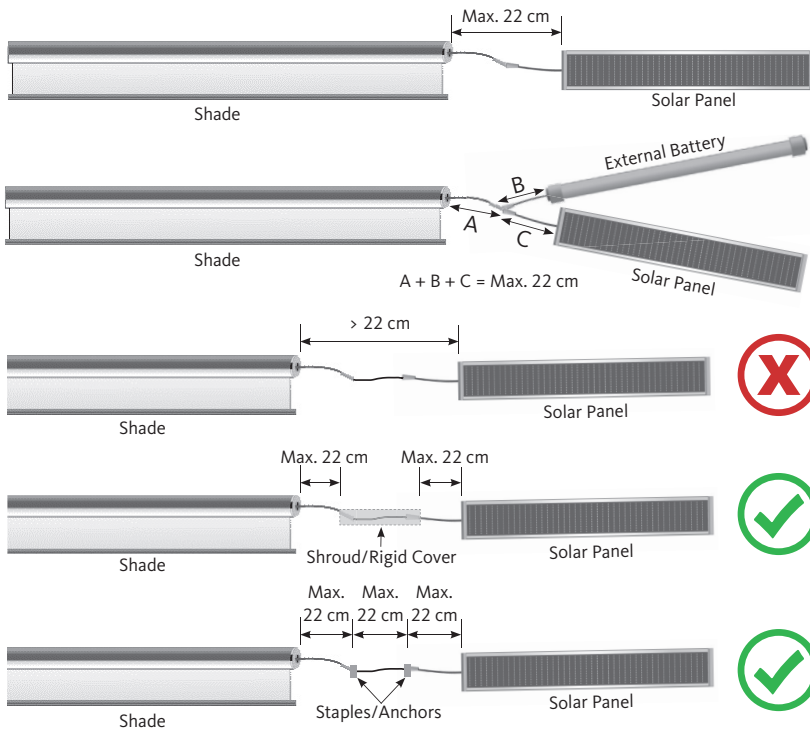
The accessible electrical wire must be shrouded with a rigid cover so they are unaccessible and cannot be touched when installed.

## Option 2

The accessible electrical wire must be installed by stapling/anchoring it at intervals of less than 22 cm. The staples/anchors should not be removable with a minimum of 35 Nm of force. The stapling/anchoring makes the electrical wire unaccessible.

## Option 3

A combination of option 1 and option 2; the use of a shroud/rigid cover and stapling/anchoring the electrical wires at intervals of less than 22cm make the electrical wire unaccessible.



## ⚠ WARNING

STRANGULATION HAZARD - Young children can be strangled by cords. Immediately remove this product if a cord longer than 22 cm or a loop exceeding 44 cm around becomes accessible.

## ⚠ MISE EN GARDE

RISQUE D'ÉTRANGLEMENT - Les enfants en bas âge peuvent s'étrangler avec des cordes. Enlevez immédiatement ce produit si une corde mesurant plus de 22 cm devient accessible ou si le contour d'une boucle de plus de 44 cm devient accessible.

