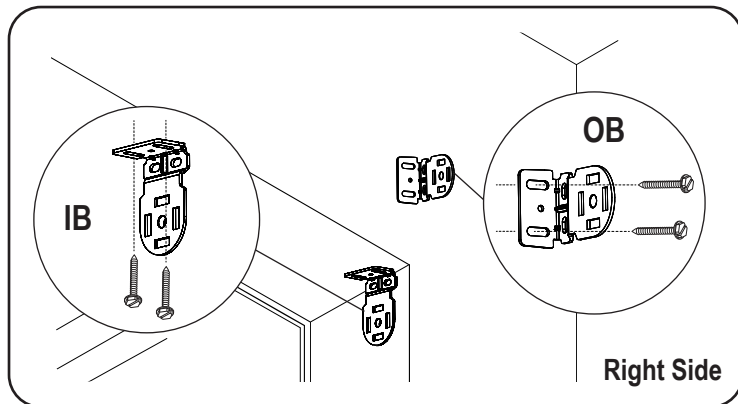
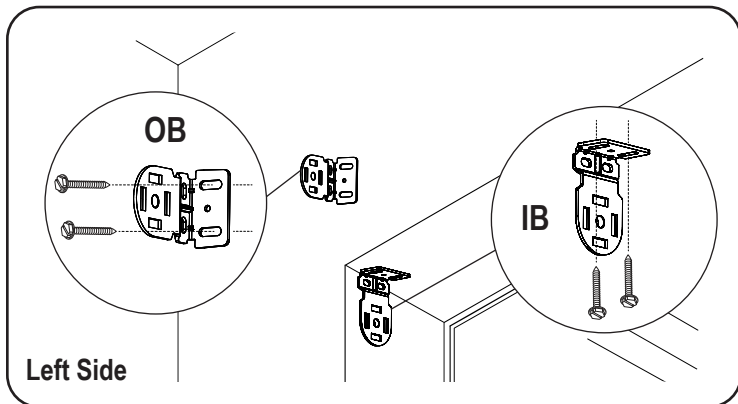


1. Install the Brackets

Important: Make sure the mounting surface is level. Brackets must be in line and level for shade to operate properly. Shim brackets if necessary.

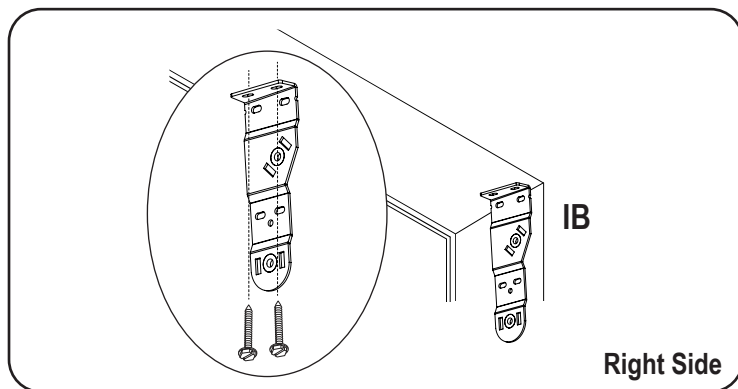
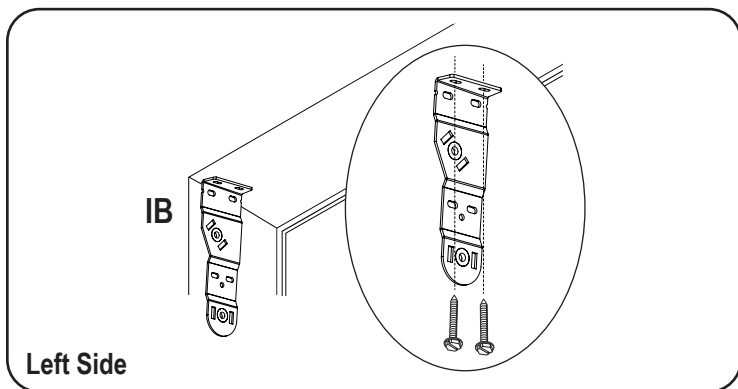
1a. Open Roll Tubes 1 1/2" to 2 1/2"



Inside Mount (IB), Install each bracket with two screws either through the side or up through the top. Make sure all brackets are leveled and aligned.

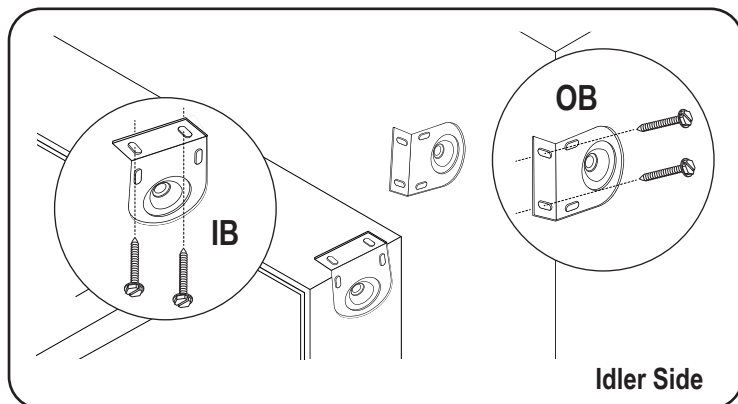
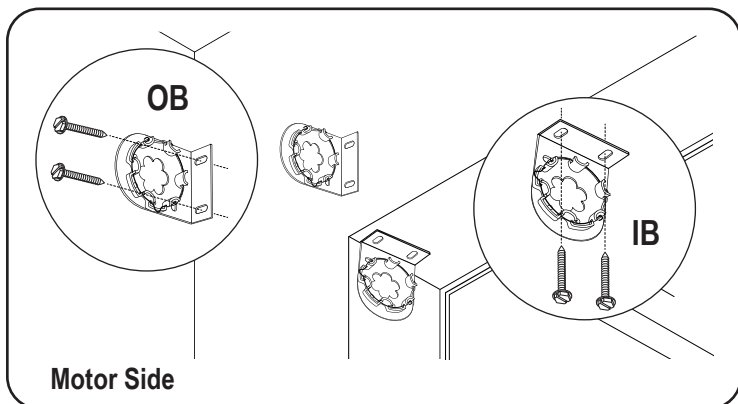
Outside Mount (OB), Secure each bracket with two screws through the side of the bracket. Make sure all brackets are level. Minimum 1 3/4" mounting surface height requirement.

1b. Double Brackets (Only 1 1/2" Tubes)



Inside Mount Only (IB), Install each bracket with two screws through the top. Make sure brackets are leveled and aligned. Minimum 1 3/4" mounting depth requirement. 2 1/8" to 4" flush mount depth requirement (depends on roll diameter).

1c. Open Roll Tubes 3 1/4" and Hardwired Motorization



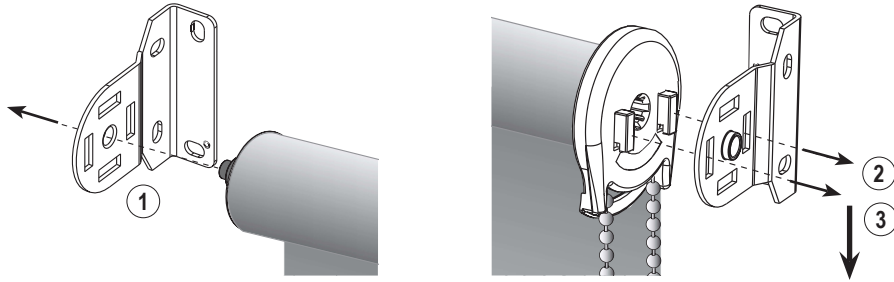
Inside Mount (IB), Install the brackets level and aligned to each other. Use the screws provided to screw through the top. Minimum 3" mounting depth requirement. 2 1/8" to 4" flush mount depth requirement (depends on roll diameter).

Outside Mount (OB), Secure each bracket with two screws through the side. Make sure all brackets are level. Minimum 3" mounting surface height requirement.

INSTALLATION INSTRUCTIONS

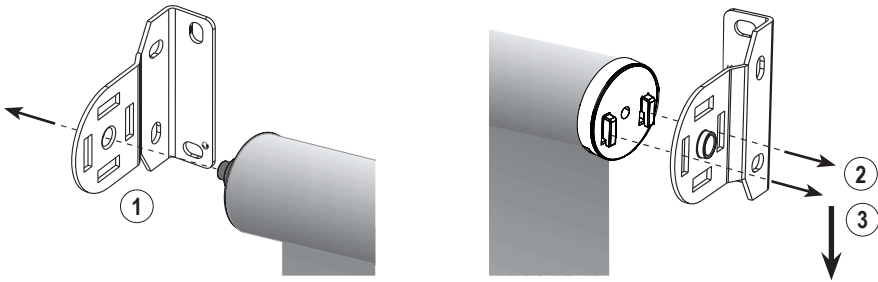
2. Install the Shade

2a. Continuous Loop Control



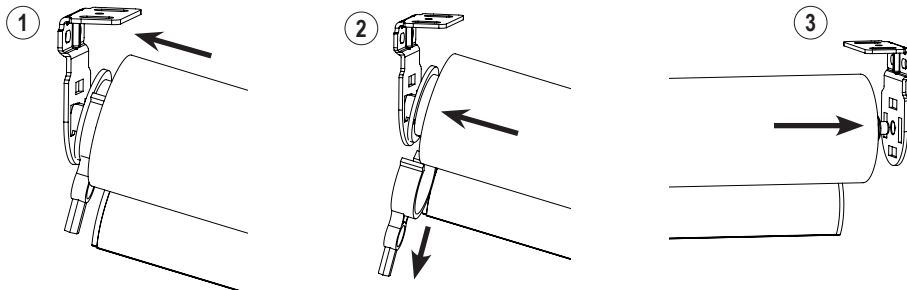
1. Place the spring loaded pin end into the round hole of the bracket. Then, keeping the pin end secure in its bracket. (2) Insert the hooks on the clutch straight into the two slots in the bracket. Once the two hooks are through the slots, (3) gently pull downward on the hook side until the hooks have locked securely onto the bracket. The bottom of the clutch with chain loop should point straight down.

2b. Motorization (Open Roll Tubes 1 1/2" to 2 1/2")



1. Place the spring loaded pin end into the round hole of the bracket. Then, keeping the pin end secure in its bracket, (2) insert the hooks on the motor head straight into the two slots in the bracket. Once the two hooks are through the slots, (3) gently pull downward on the motor until the hooks have locked securely to the bracket. The reset button of the motor should be facing down.

2c. Cordless Lift



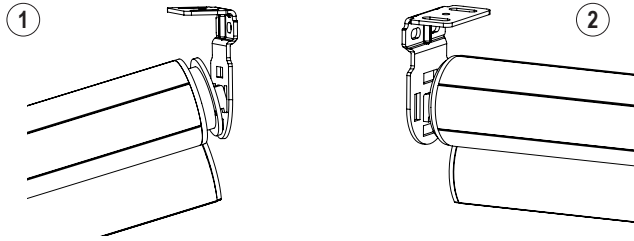
Important: Do not to pull the red lock until shade is securely assembled onto the brackets.

1. Angle the shade side with the red lock to align the hooks to the open roll bracket. Keep the red lock installed onto the shade.
2. Once the hooks are inserted into the bracket, pull the red lock off and push the shade into the bracket to securely lock the shade
3. With one side of the shade locked in, insert the spring loaded pin on the other end of the shade into the round hole onto the other bracket.

Note: If for any reason the installation brackets need to be adjusted or the shade needs to be removed, raise the shade and insert the red lock pin back to its original motor side prior to disengaging the shade from the installation brackets.

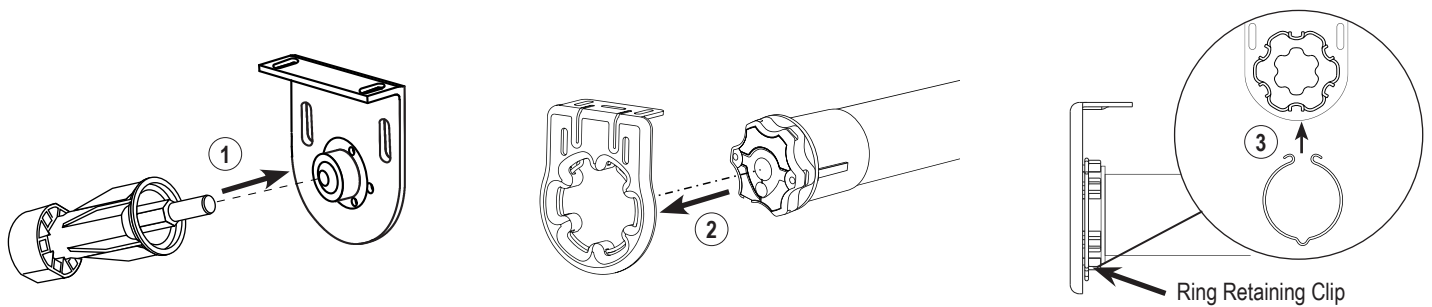
INSTALLATION INSTRUCTIONS

2d. TouchLift™



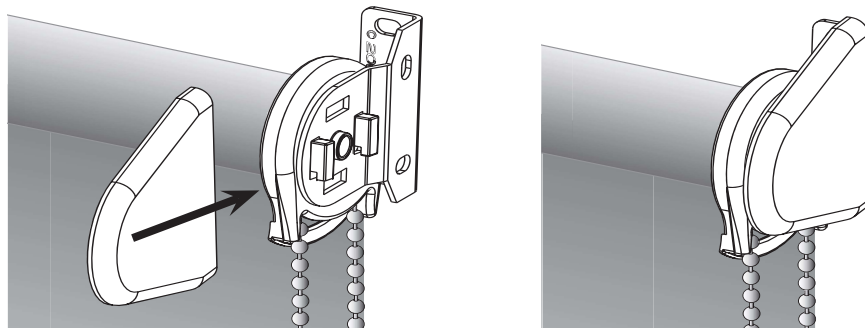
1. Place the idler pin end into the two vertical slots on the bracket. Keeping the idler pin end secure in its bracket, (2) insert the hooks on the spring head straight into the two slots in the other bracket. Once the two hooks are through the slots, gently pull downward until the hooks have locked securely to the bracket.

2e. Open Roll Tubes 3 1/4" and Hardwired Motorization

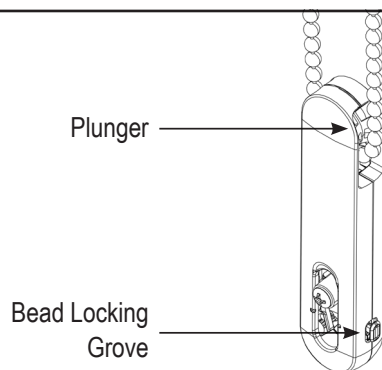


First, rotate the roll to ensure reset button of the motor is facing down. (1) Place the spring loaded pin end into the round hole of the Idler bracket. Keeping the pin end secure in its bracket, (2) align and insert the motor head into the slots in the motor bracket. Once the motor is complete security into the motor bracket, (3) snap the ring retaining clip in place, locking the motor in position.

3. Install the End Caps (Open Roll Tubes 1 1/2" to 2 1/2")



4. Attaching the Beaded Cord Tensioner



NOTE: For the shade to operate properly, the tensioner must be correctly mounted and secured.

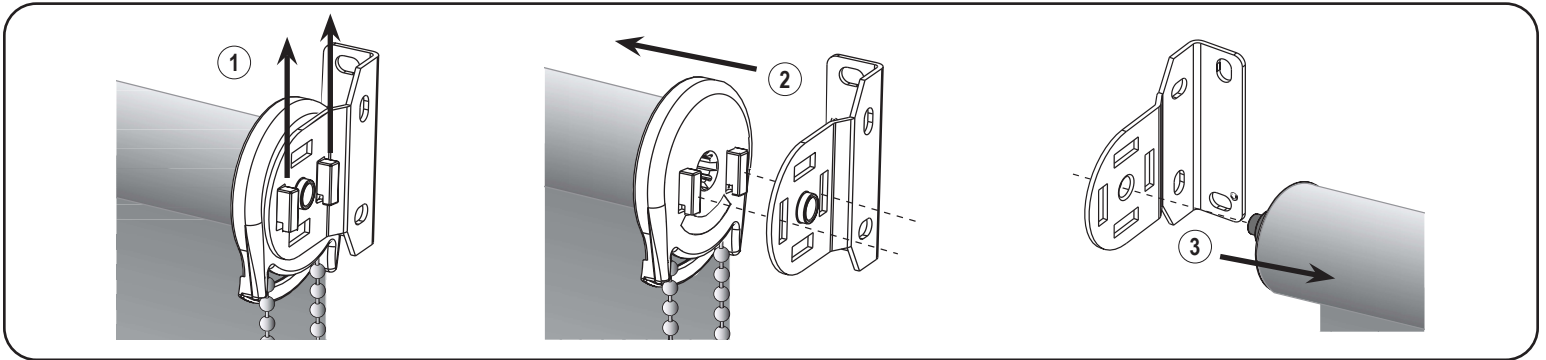
[Click this link](#) to refer to the Installation Instructions for the Bead Chain Loop, Universal Cord Tensioner

INSTALLATION INSTRUCTIONS

5. Adding Optional Top Treatment to Open Roll

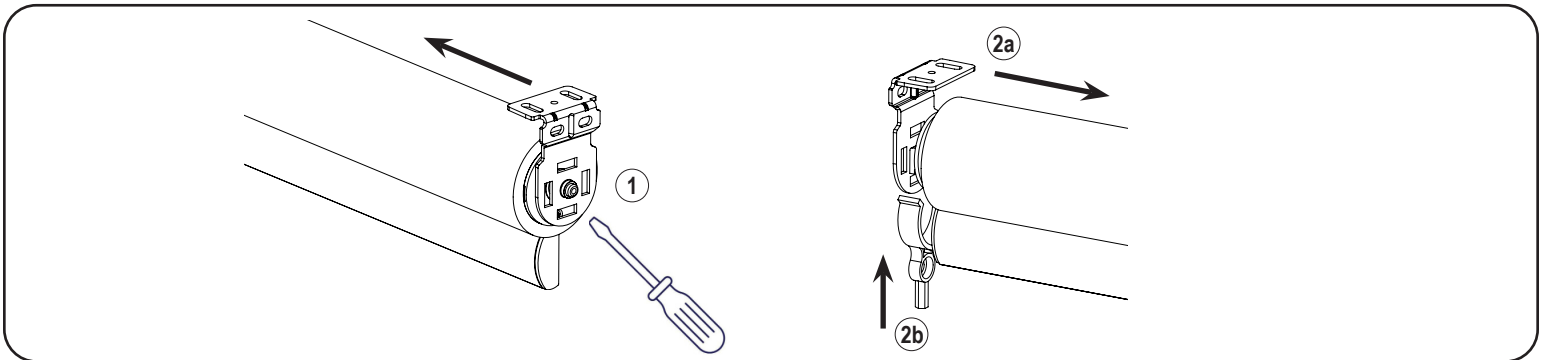
Please refer to *Roller Shades - Skyline Fabric Cornice installation instructions*.

6. Removing the Shade (Only if Necessary — Tubes 1 1/2" to 2 1/2", Continuous Loop Control, Automation and TouchLift™)



First, raise the shade. (1) To disengage, gently lift up the control side (hook end) until the hooks touch the top part of the bracket slot. Then, (2) slide the roll towards the idler pin end (Spring Idler end for TouchLift™ shades) until the hooks are completely out of the bracket slots. (3) Remove the spring loaded pin end from the Idler bracket.

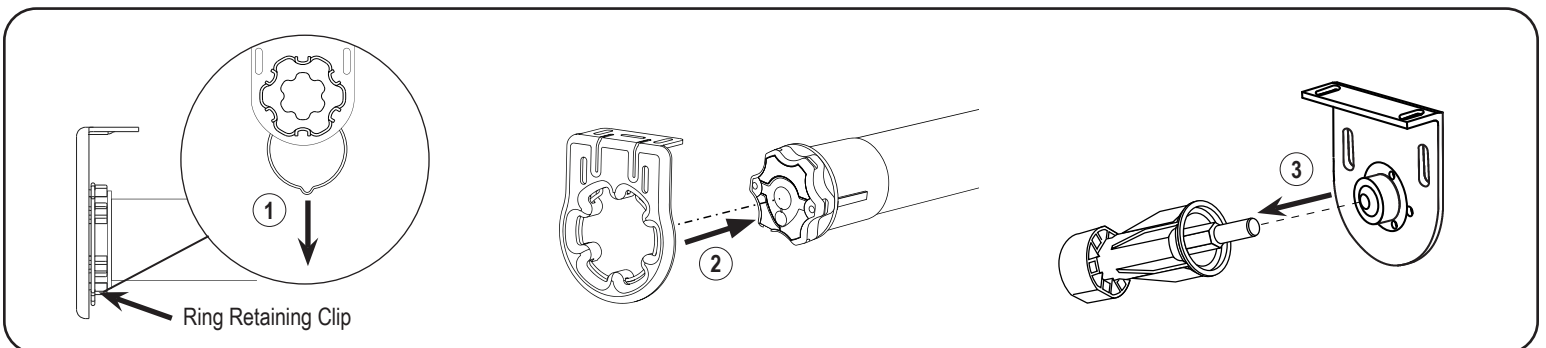
7. Removing the Shade (Only if Necessary - Cordless Lift)



Prepare the shade removal with a screw driver or any pointed tool along with the red lock.

1. Use the screw driver or pointed tool to push the pin end to disengage that one side of the shade from the bracket.
- 2a. With the hook side still attached to the bracket, slowly pull the shade toward you only until there's enough room on the hook side to (2b) insert the red lock back onto the shade (same lock location of how the shade arrived). Please do not release the hooks until the red lock is engaged.
3. The shade can be removed from the bracket only when the spring side is locked with the red lock

8. Removing the Shade (Only if Necessary — Open Roll Tubes 3 1/4" and Hardwired Motorization)



First, raise the shade. (1) Remove the ring retaining clip in place from the motor. (2) Slide the roll towards the spring loaded pin end until the motor head is completely out of the motor head slots. (3) Remove the spring loaded pin end from the Idler bracket.

ADJUSTMENT TIPS

Tension Adjustment For Cordless Lift

Inside Mount IB: Follow Step 7 to remove the shade from the installation bracket before adjusting the tension

Outside Mount OB: Do not need to remove the shade from the installation bracket, follow the steps below to adjust the tension.

1) Use hex key or 5mm Allen wrench to turn the spring head (left side for standard roll and right side for reverse roll)**:

- Turn clockwise to add/increase tension
- Turn counterclockwise to decrease/reduce tension.

** Red lock that comes with open roll shade can also be use in lieu of the hex key/Allen wrench

2) Re-install the shade (and end cap if OB) after tension adjustment is complete.



Tension Adjustment For TouchLift™

Inside Mount IB: Follow instruction on Step 6 to remove the shade from the installation bracket before adjusting the tension.

Outside Mount OB: Do not need to remove the shade from the installation bracket, follow the steps below to adjust the tension

1) Use 5mm Allen wrench to turn the spring head (left side for standard roll and right side for reverse roll):

- Turn clockwise to add/increase tension.
- Turn counterclockwise to decrease/reduce tension.

2) After the additional turns for tension adjustment have been completed and with the Allen wrench still inserted inside the spring head, push the Allen wrench in to activate the inner break lock before removing the Allen wrench.

3) Reinstall the shade (and end cap if OB) after tension adjustment is complete.



Upper Limit Adjustment For TouchLift™

Inside Mount IB: Follow instruction on Step 6 to remove the shade from the installation bracket.

Outside Mount OB: Do not need to remove the shade from the installation bracket, follow the steps below to adjust the upper limit.

1) Use 5mm Allen wrench to turn the idle end (right side for standard roll and left side for reverse roll):

- Turn clockwise to lower the upper limit.
- Turn counterclockwise to raise the upper limit.

2) Reinstall the shade (and end cap if OB) after adjustment is complete.

Child Safety

Young children can **STRANGLE** in cord loops and in the loop above the cord stop. They can also wrap cords around their necks and **STRANGLE**.

- Always keep cords out of children's reach.
- Move cribs, playpens and other furniture away from cords. Children can climb furniture to get to cords.
- Do not tie cords together.
- Make sure cords do not twist together and create a loop.

⚠ WARNING ⚠ ADVERTENCIA	
Window Blind Cord Strangulation Risk Window Blinds with a damaged or loose tension device or retractable cord that fails to fully retract pose a strangulation risk to children. To avoid this potential strangulation risk, consider purchasing cordless products or products with inaccessible cords.	
Riesgo de Estrangulamiento en Cuerdas de Persianas Las persianas con un dispositivo tensor suelto o dañado o con una cuerda retractable que no se ajusta completamente representan un riesgo de estrangulación para los niños. Para evitar un posible riesgo de estrangulamiento, considere comprar productos inalámbricos o productos con cuerdas inaccessibles.	

