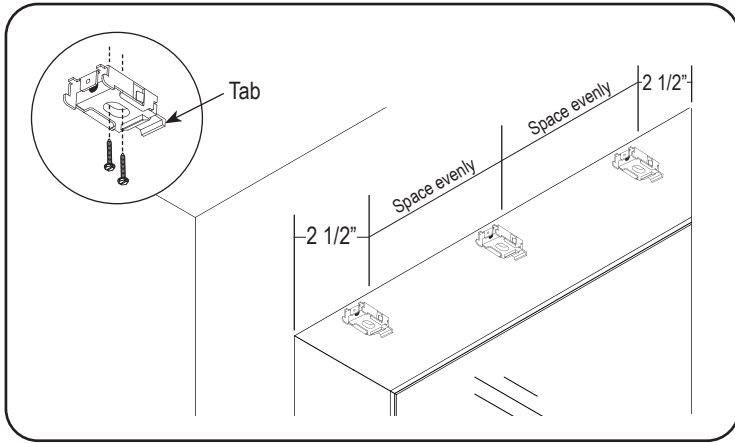


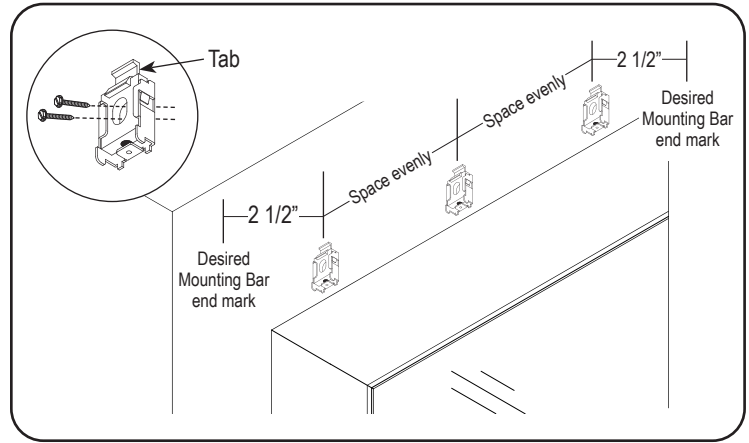
Important: Make sure the mounting surface is level. Brackets must be in line and level for shade to operate properly. Shim brackets if necessary.

1. Install the Brackets



Inside mount (IB)

Inside Mount, install the brackets level and aligned to each other, using the screws provided.

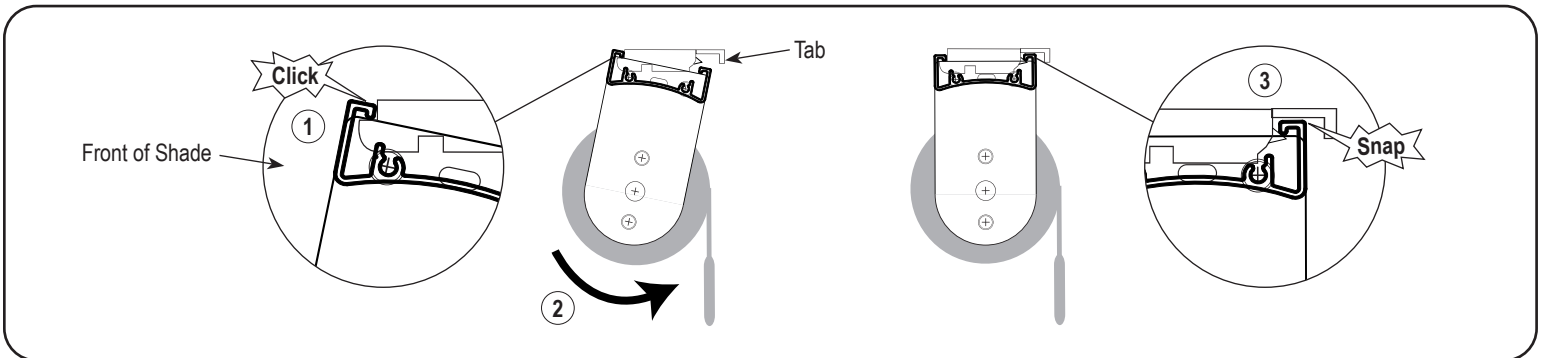


Outside mount (OB)

Outside Mount, install the brackets level and aligned to each other, with the plastic tab facing up and approximately 1/2" above the opening on the window frame, window molding, wall, or ceiling using the screws provided.

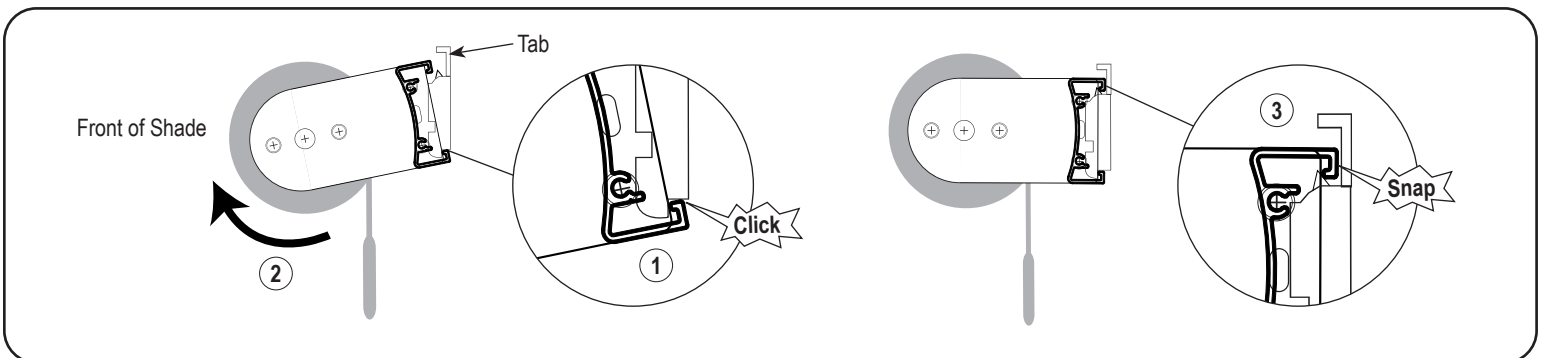
2. Install the Shade

2a. Inside Mount



First, position the mounting bar to engage the ridge into the front lip of all brackets. Then, rotate the shade backwards until the mounting bar engages the bracket(s).

2b. Outside Mount



First, position the mounting bar to engage the ridge into the bottom lip of all brackets. Then, rotate the shade upwards until the mounting bar engages the bracket(s).

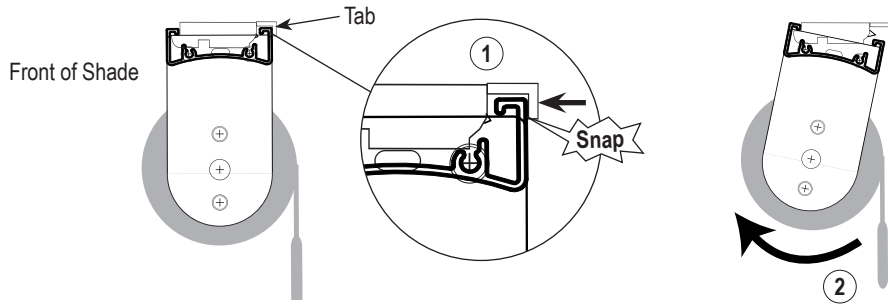
INSTALLATION INSTRUCTIONS

3. Adding Optional top treatment (Fabric Corner or Deluxe valance)

Please refer to *Roller Shades - Skyline Fabric Cornice and Deluxe Valance installation instructions*.

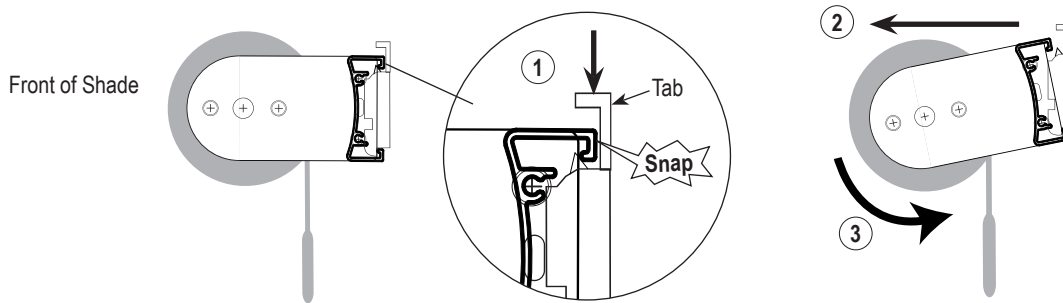
4. Removing the Shade (Only if Necessary)

4a. Inside Mount



First, press the release tab on all the brackets. Then, rotate the shade towards the front until the mounting bar disengages from the bracket(s).

4b. Outside Mount



First, press the release tab on all the brackets. Then, rotate the shade towards the front and downward until the mounting bar disengages from the bracket(s).

