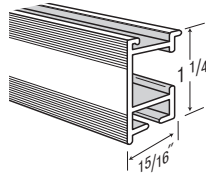




Metal Premium Traverse Rod Installation Instructions



Select® Premium Track

Mounting Clip - 93630

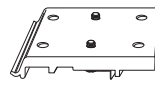


1 3/16" Half Round Internal Splice - 130-4099-67



Select® Premium 2-Wheeled Carrier (92923)

Track Splice Clip - 93633



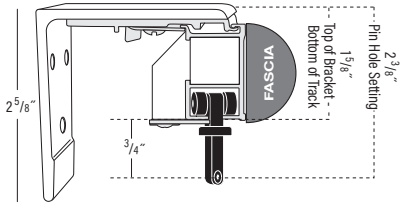
Metro Flat Fascia Internal Splice - 135-4088-67

Bracket Options

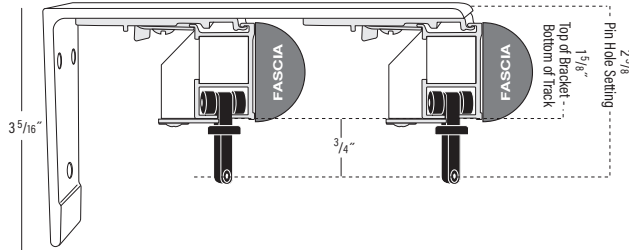
The appropriate number and type of brackets will be included based on rod length and design choice.

Fasteners are not included. Proper fasteners, screws and mounting hardware must be determined by the installer based on mounting surface material.

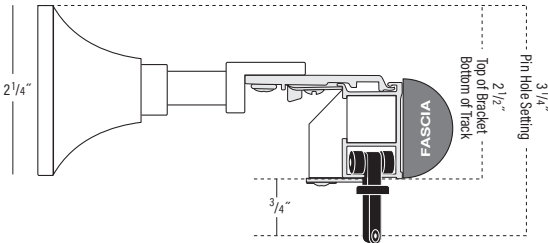
Standard Heavy Duty Single Wall Bracket (94123)
3 1/2" Return - 4 1/2" Return



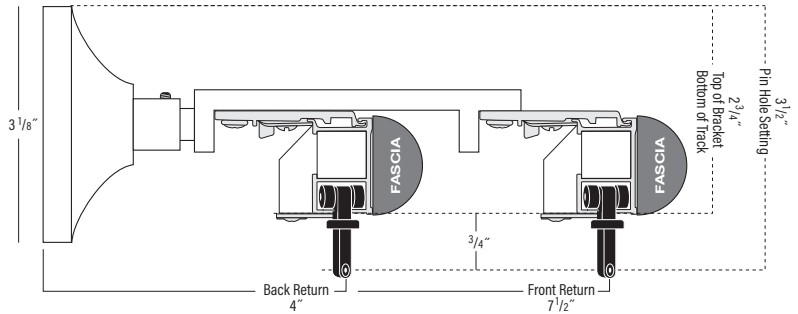
Standard Heavy Duty Double Wall Bracket (94125) - 5 1/2" Return



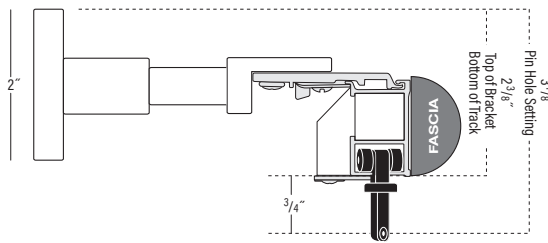
Round Decorative Traverse Bracket (130-2064) - 4" Return
Round Decorative Extended Traverse Bracket (130-2066) - 5 1/2" Return



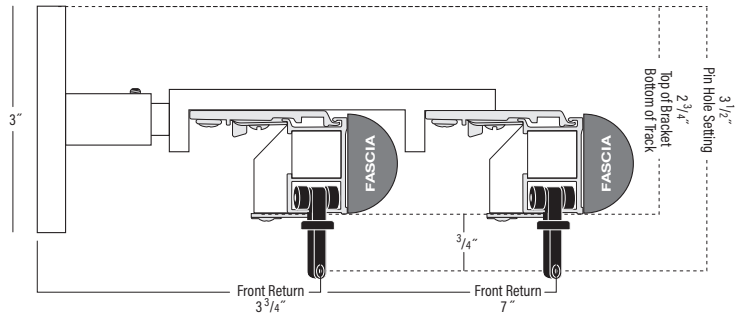
Round Double Decorative Traverse Bracket (130-2067) - 7 1/2" Return



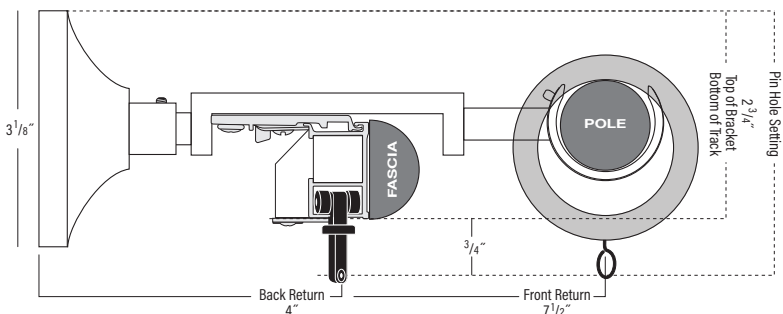
Square Decorative Traverse Bracket (130-2164) - 4" Return
Square Decorative Extended Traverse Bracket (130-2166) - 5 1/2" Return



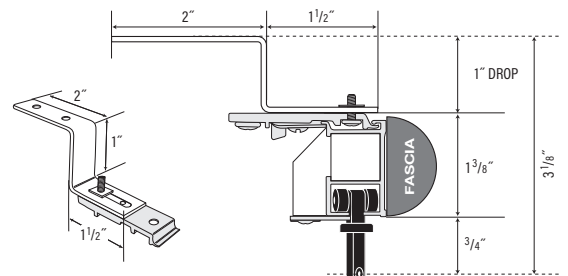
Square Double Decorative Traverse Bracket (130-2167) - 7" Return



Combination Pole/Traverse Rod Bracket (130-2067)



Ceiling Mount Bracket (ZBK-1000Z)



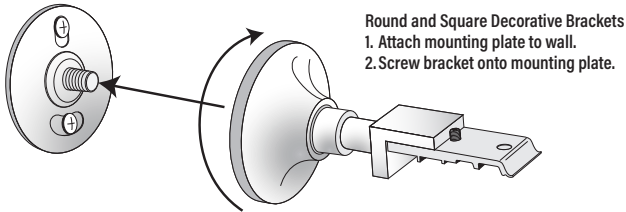
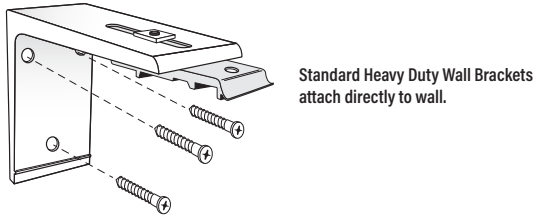
Metal Premium Traverse Rod Installation Instructions

1. Install Brackets

- Determine placement of end brackets based upon rod length.
- Determine height (distance from floor) of brackets based on length of draperies, floor clearance required and bracket design.**

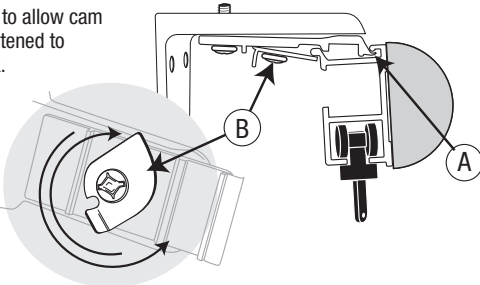
Attach Wall End Brackets

- Fasten brackets securely to mounting surface.
Installer must furnish the proper fasteners based on type/material of mounting surface.
- If included, evenly space additional brackets between end brackets. All brackets must be level for rod installation.



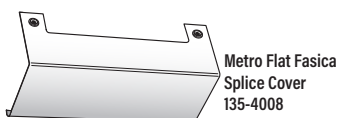
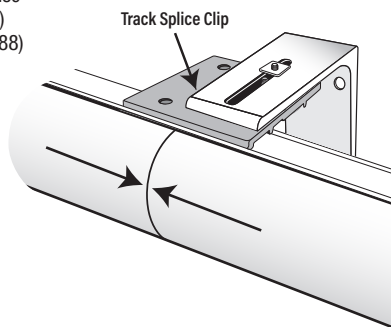
2. Attach Rod to Brackets

- Inserting mounting clip into front lip of Track at "A".
- Pivot the back of track up to allow cam lock "B" to rotate and tightened to catch the back lip of track.
- Ceiling mount, double mount and decorative bracket installations use the same mounting clip (93630) and rods attach the same way.



Splicing Traverse Rods

- If 2 Traverse Rods are to be spliced, use Half Round Internal Splice (130-4099) or Flat Fascia Internal Splice (135-4088) to join 2 traverse rods.
- Use Track Splice Clip with bracket supplied to mount spliced rods to wall.
- If using Splice Cover, attach cover to rod to conceal seam. Tighten set screws to secure.



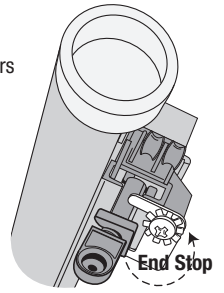
3. Remove Any Extra Unneeded Carriers

- Before hanging drapery count the number of wheeled carriers your drapery will require. If there are more carriers than needed they should be removed.

Looking at the bottom of the drapery rod, loosen End Stop screw so that End Stop swings to release wheeled carriers.

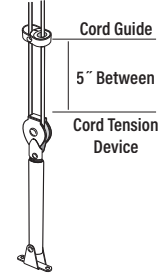
Remove any extra carriers and capture end most carrier with End Stop to lock remaining carriers within track.

Tighten End Stop Screw to lock carriers in track.



4. Install Cord Safety Device and Tension Pulley

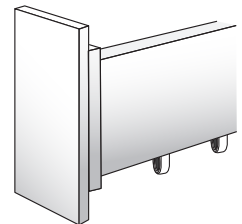
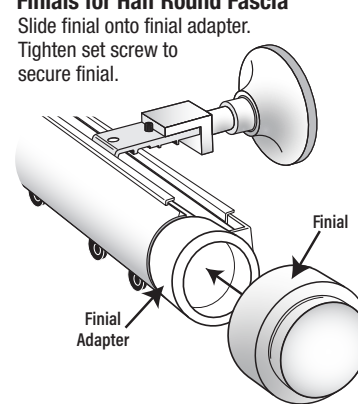
- For child and pet safety, install safety devices provided.
- If cord safety devices are not installed traverse rod will not function properly.



5. Add Finials, End Caps, or Returns to Rod

Finials for Half Round Fascia

Slide finial onto finial adapter. Tighten set screw to secure finial.

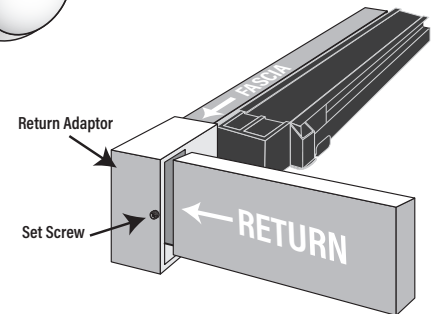


Finials for Metro Flat Fascia

Slide finial onto rod. Tighten set screw to secure finial.

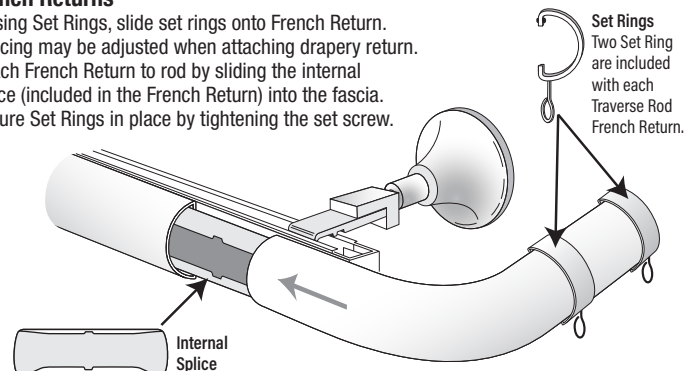
Metro Return Adaptor

- Fascia of track attaches to side of Return Adaptor.
 - Metro Return attaches to back of Return Adaptor.
- Tighten set screws to secure Adaptor to Fascia and Return.



French Returns

If using Set Rings, slide set rings onto French Return. Spacing may be adjusted when attaching drapery return. Attach French Return to rod by sliding the internal splice (included in the French Return) into the fascia. Secure Set Rings in place by tightening the set screw.



6. Hang Draperies Onto Rods

- It is best to start from Traverse Rod Master and work toward end brackets.