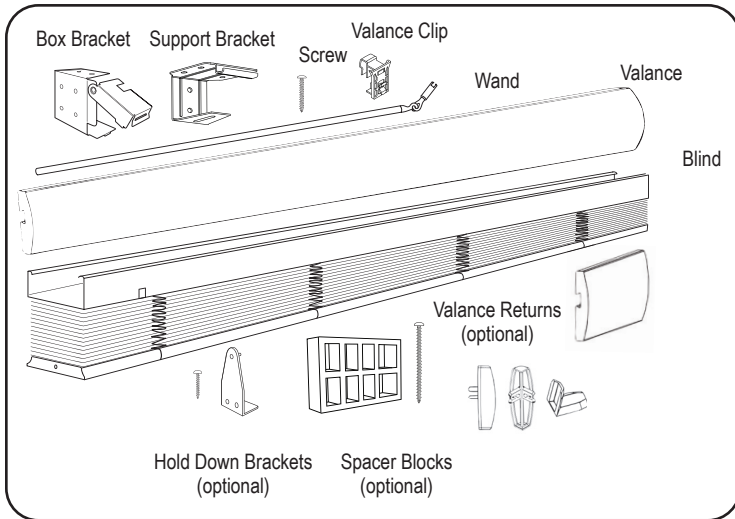


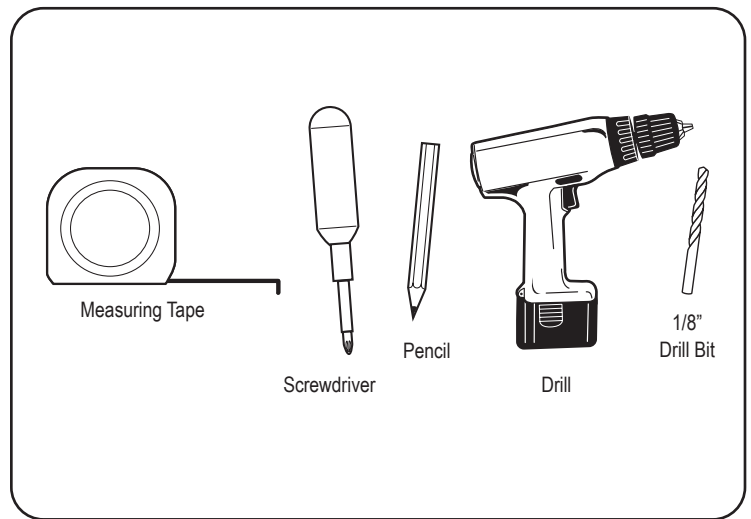
1. Getting Started

Components Included



Quantities vary by blind size. Support brackets provided for blinds >36" wide.

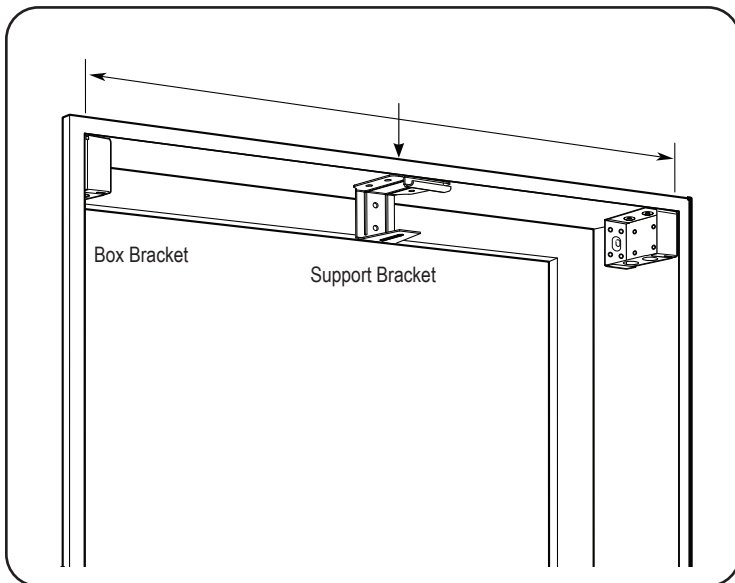
Tools Needed



2. Measure and Mark Brackets

Important: Brackets must be aligned and level for proper blind operation.

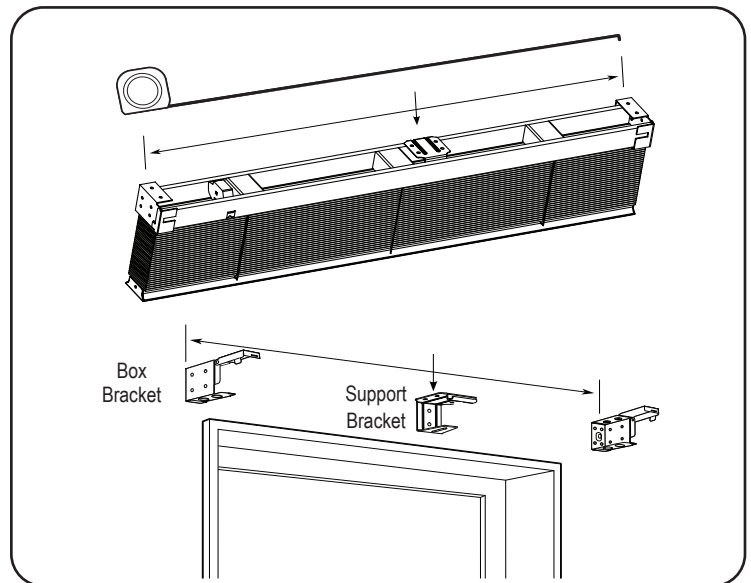
Inside Mount



Place box brackets into corners of the window frame. Evenly space support brackets between box brackets, away from ladder cords. Mark bracket positions.

Note: Ensure support brackets do not interfere with ladder cords.

Outside Mount



Place box brackets on headrail. Evenly space support brackets between box brackets, away from ladder cords. Using a tape measure, measure bracket locations. Mark bracket positions.

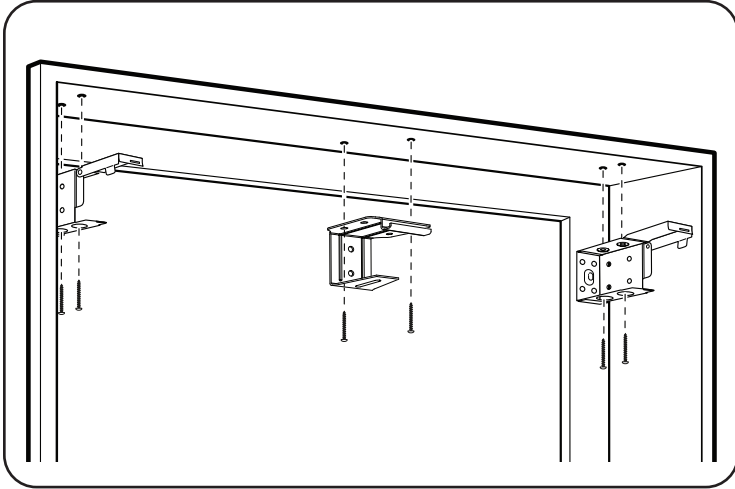
Note: Ensure support brackets do not interfere with ladder cords.

INSTALLATION INSTRUCTIONS

3. Install Brackets

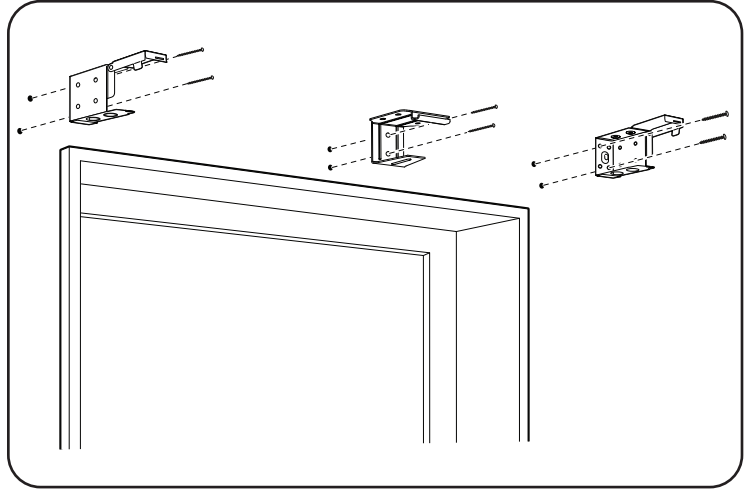
Important: Brackets must be aligned and level for proper blind operation.

Inside Mount



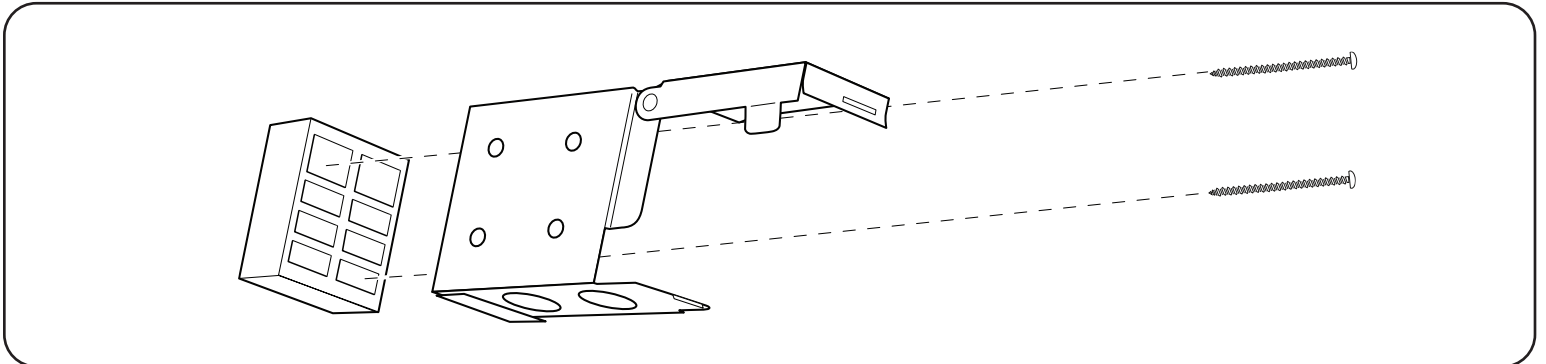
Drill pilot holes and install brackets using screws provided.

Outside Mount



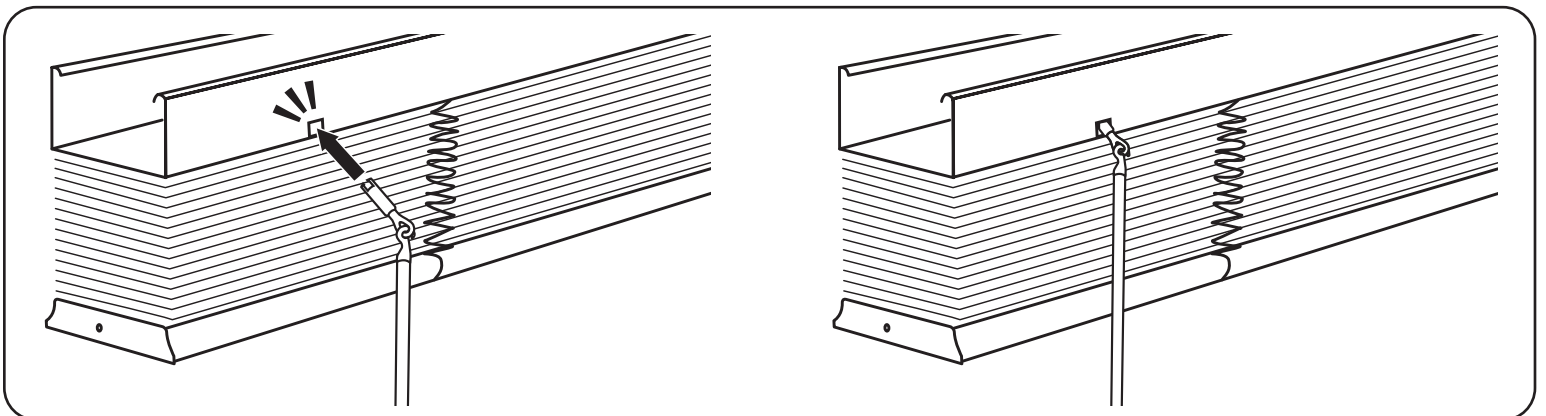
Drill pilot holes and install brackets using screws provided. Wall anchors may be required for secure attachment (not included).

Spacer Blocks - Outside Mount Only (Optional)



Spacer blocks provide an extra 3/8" clearance behind blind to clear obstructions like window moldings. Attach blocks to the end of each bracket. Use longer screws included with spacer block kit.

4. Insert Wand

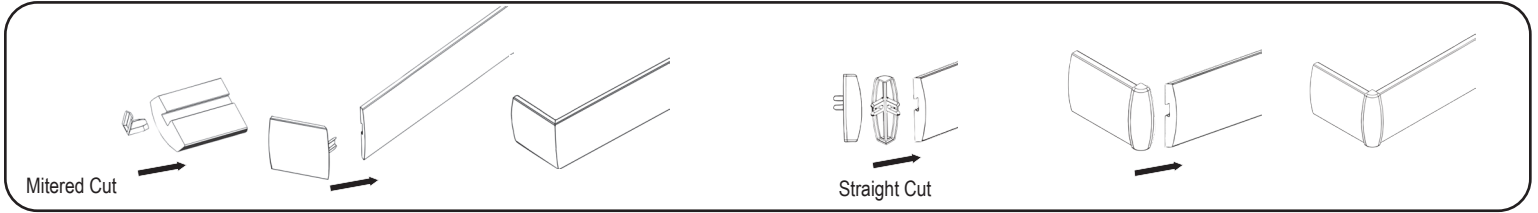


INSTALLATION INSTRUCTIONS

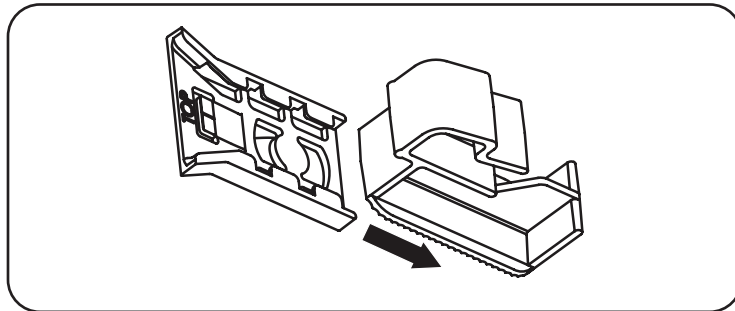
5. Attach Valance

Important: Valance clips are vertically adjustable. Final position can be set after installation is complete.

Attach Valance Returns (Optional)

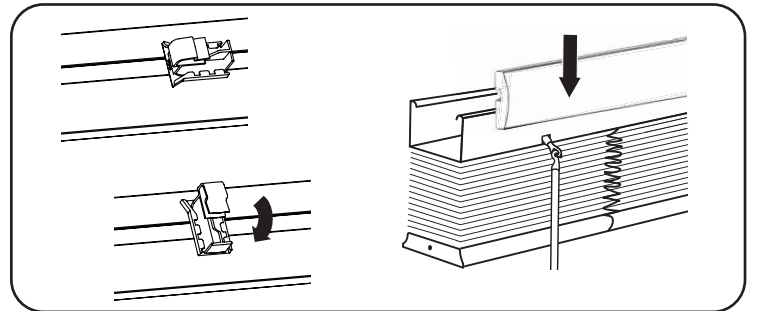


Assemble Valance Clips (Optional)



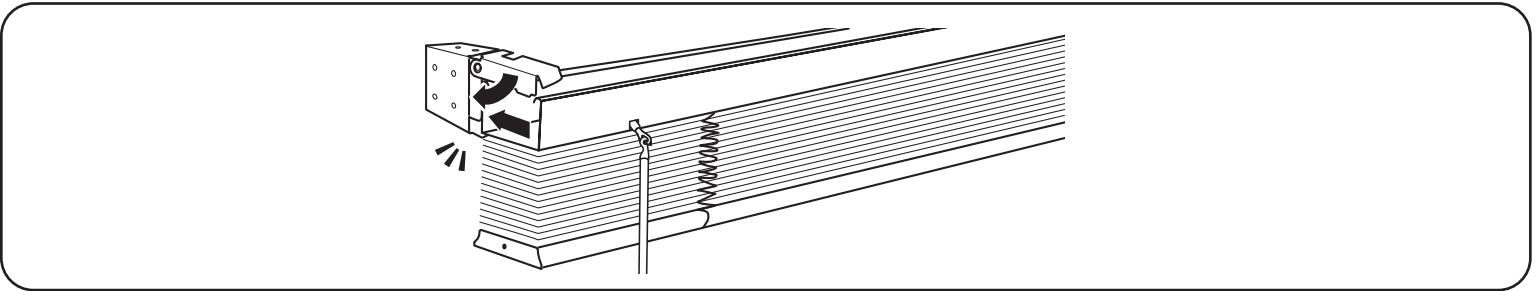
Valance clips may come in 2 pieces. Slide pieces together before attaching to valance.

Attach Valance



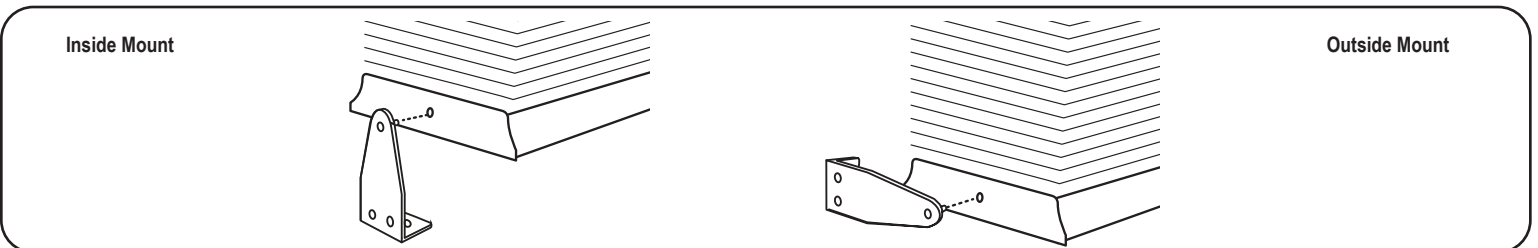
Evenly space valance clips on backside of the valance. For Inside Mount, attach valance before blind installation. For Outside Mount, attach valance after blind installation.

6. Install Blind



Slide blind into bracket and snap door closed. Use both hands on the bottom rail to lift or lower blind. Rotate wand to tilt slats. Blind slats should be tilted open prior to lifting and lowering.

7. Install Hold Down Brackets (Optional)



1043724