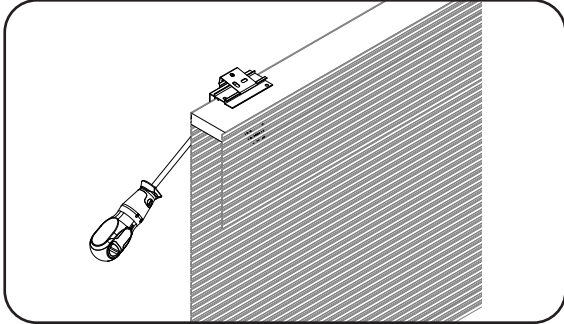


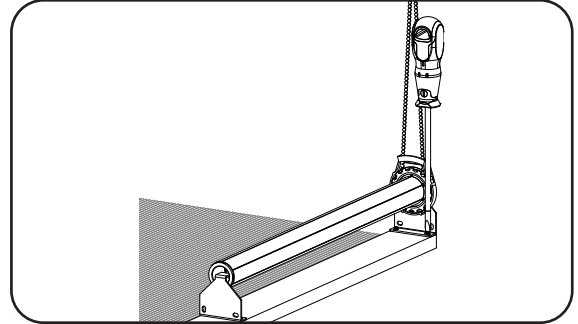
IMPORTANT For the shade to operate properly, the tensioner must be correctly mounted and secured.

STEP 1



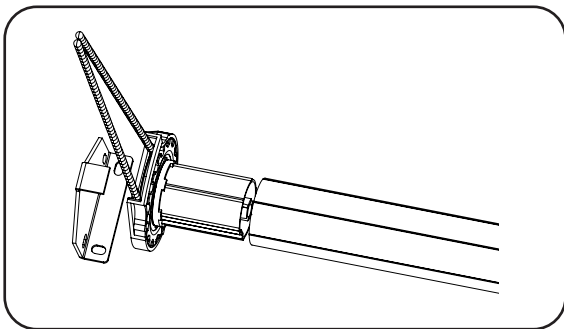
Lower the shade all the way down, then detach it from the installation brackets.

STEP 2



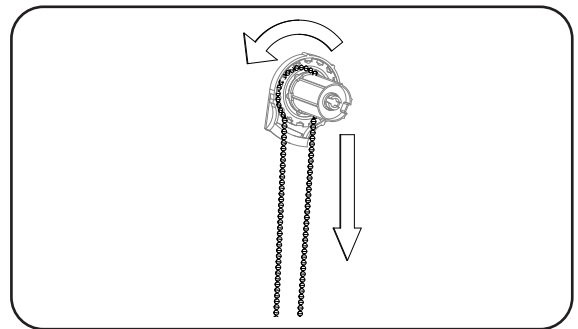
Use a screwdriver to remove the bracket anchoring the clutch to the headrail.

STEP 3



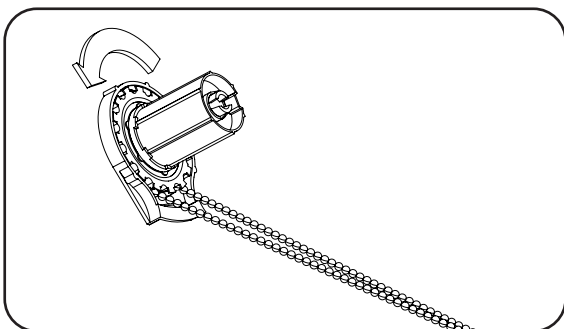
Detach the bracket from the clutch, then remove the clutch from the tube.

STEP 4



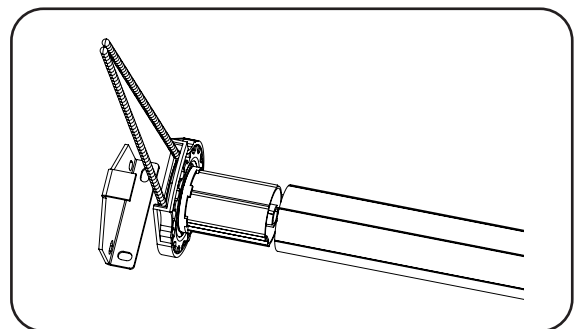
Remove the bead chain by unthreading the chain from the gear of the clutch. Gently pull the chain away from the clutch while rotating the gear until the chain is completely released.

STEP 5



Add the replacement bead chain by first feeding the chain under the guard on the bottom of the clutch. Then, begin threading the new chain around the gear on the clutch by pulling and turning the gear until the chain is fully engaged.

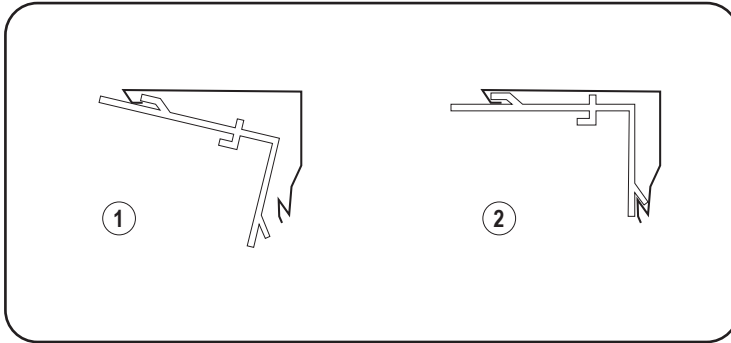
STEP 6



Insert the clutch into the tube with the bottom of the clutch positioned straight down. Align the bracket and clutch onto the headrail then use the screws to secure the bracket.

INSTALLATION INSTRUCTIONS

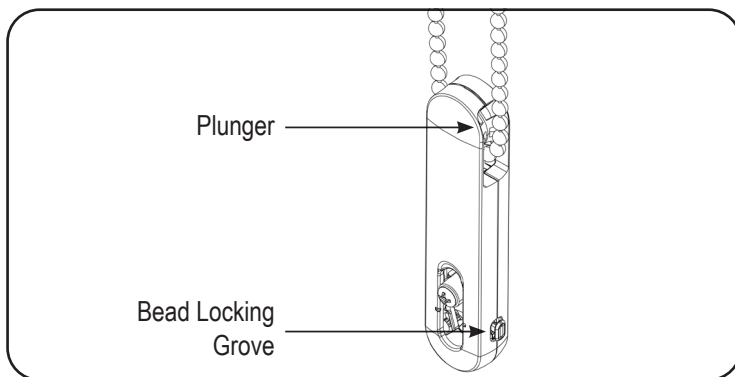
STEP 7



Re-install the shade by snapping the headrail connector into the installed mounting bracket.

- (1) Position the shade with the front hook of the pre-attached, headrail bracket connector resting on the top lip of all mounted brackets.
- (2) Push the bottom front of the shade headrail firmly backwards and toward the window until the lip on the rear of the pre-attached headrail bracket connector engages the mounting bracket and snaps into place, as shown.

STEP 8

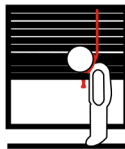


Affix the tensioner to the wall.

NOTE: For the shade to operate properly, the tensioner must be correctly mounted and secured.

[Click this link](#) to refer to the Installation Instructions for the Bead Chain Loop, Universal Cord Tensioner

⚠️ WARNING



Products with a Damaged, Loose, or Missing Tension Device Pose a Strangulation Risk to Children.

This Window Blind is equipped with a Tension Device

- Remove from use and repair or replace if tension device is damaged, loose, or missing
- Tension device must be securely attached to wall or floor
- Children can climb on furniture to reach cords
 - Fasteners provided with tension device may not be appropriate for all mounting surfaces
 - Use appropriate anchors for mounting surface conditions
- Tag to be removed only by end-user