

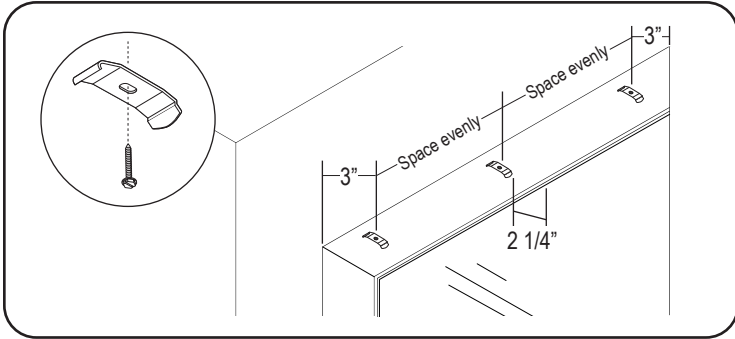
INSTALLATION INSTRUCTIONS

VERTICAL BLINDS

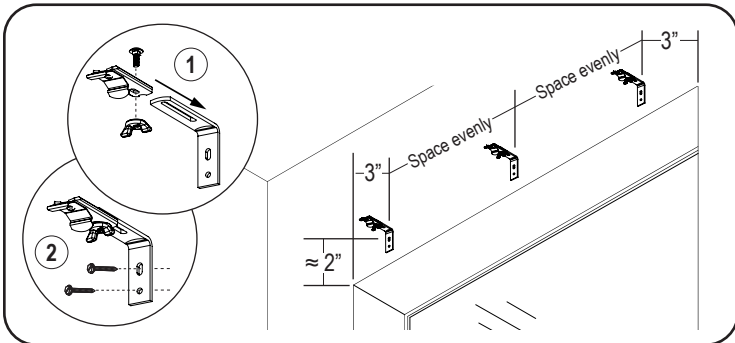
Standard Wand Control

WARNING: Product is heavy. Mount into wood/metal studs or into concrete with concrete anchors. Drywall anchors are not recommended.

1. Install the Brackets



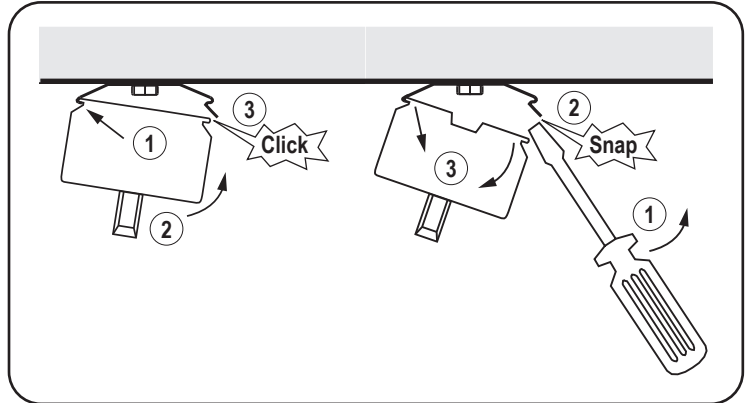
Inside mount (IB), brackets should be minimum of 2 1/4" from the glass or back wall to allow for rotating the vanes. If applicable, mount the valance at the same time (see Install the Round/Square Corner Valance).



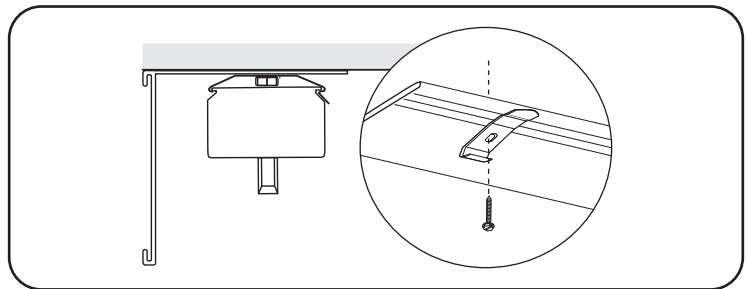
Outside mount (OB), mount brackets 3/4" taller than the height of the blind.

Space Brackets Evenly		Important: Space brackets evenly apart from each other for optimum weight distribution. Uneven distribution may cause issues such as uneven vane alignment and light gaps. Make sure to install headrail on level surface as uneven surfaces may cause alignment issues.
Blind Width	# of Brackets	
Up to 41"	2	
41 1/8" - 81"	3	
81 1/8" - 121"	4	
121 1/8" - 161"	5	
161 1/8" - 192"	6	

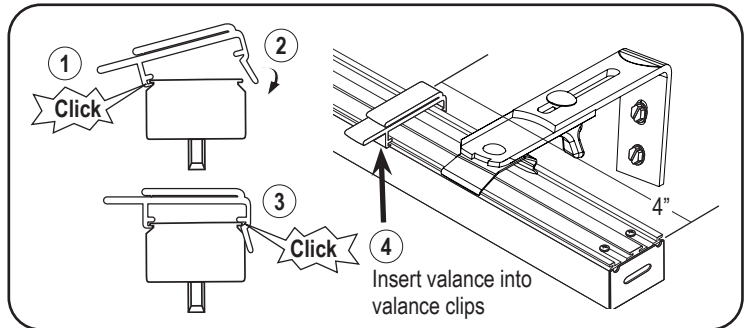
2. Install and Remove the Headrail



3. Install the Square Corner Valance

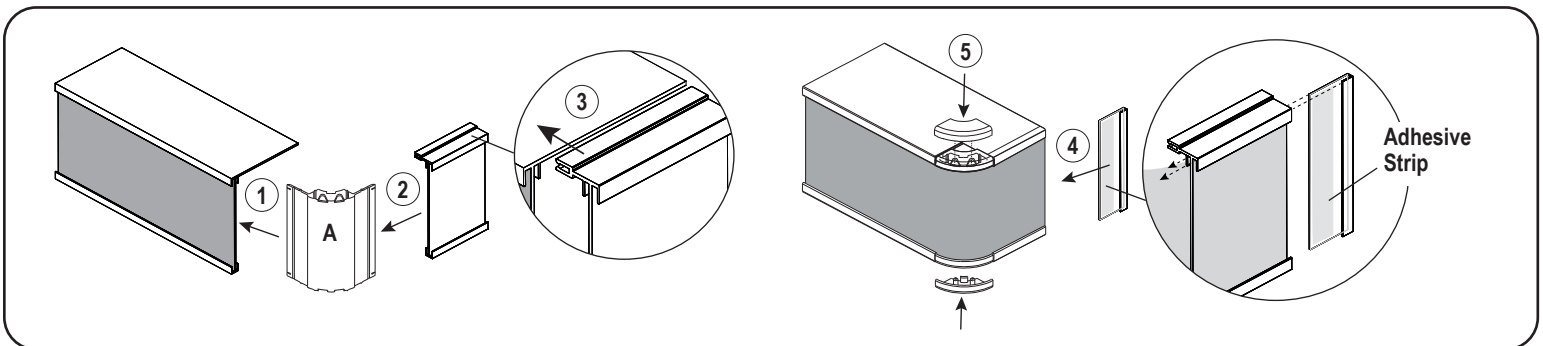


Inside mount (IB)



Outside mount (OB)

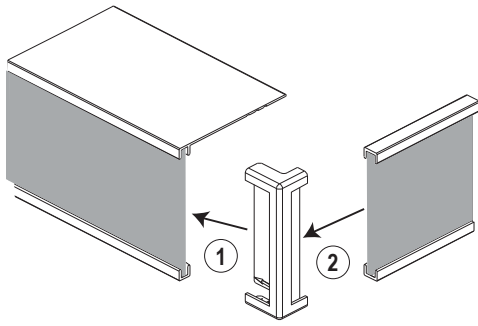
4a. Install the Round Corner Valance Returns



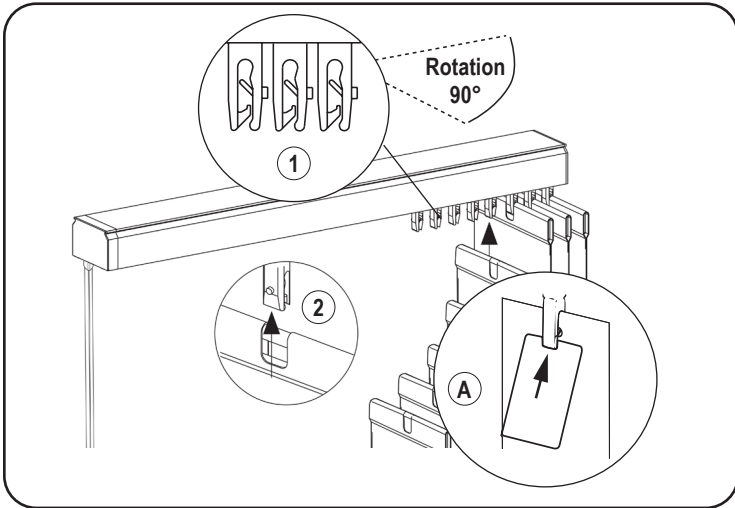
Important: Louver insert will arrive pre-inserted. Valance Corner Round (A) will also arrive pre-attached on Fabric Valance (skip step 1). Use the Material Gripper to prevent the PVC Louver from flaring out. Attach the Material Gripper to the end of the return and secure by pressing the adhesive strip into place.

INSTALLATION INSTRUCTIONS

4b. Install the Square Corner Valance Returns

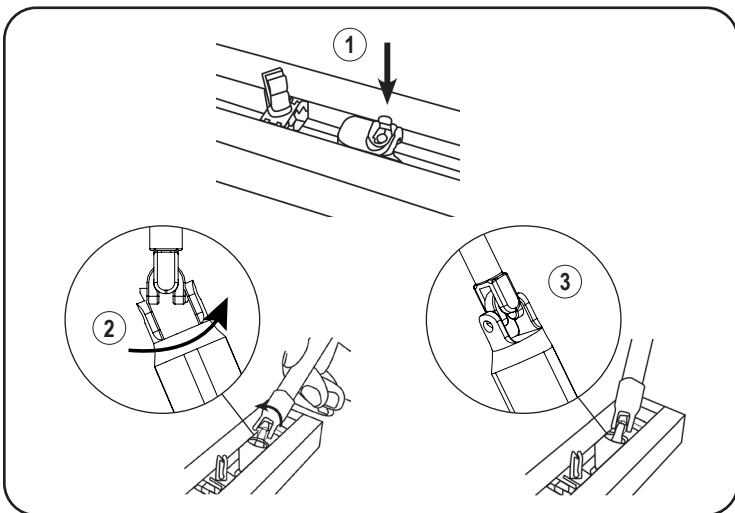


5. Install the Vanes



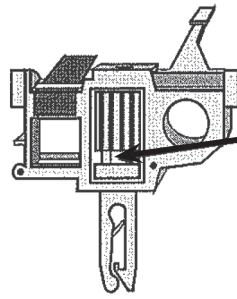
First, rotate stem to the open position. Then, insert slotted end of the vanes into the stem and gently pull down to ensure the vane on the hook. Remove the vanes by inserting a card between the vanes and the hook (A).

6. Attach the Wand Control

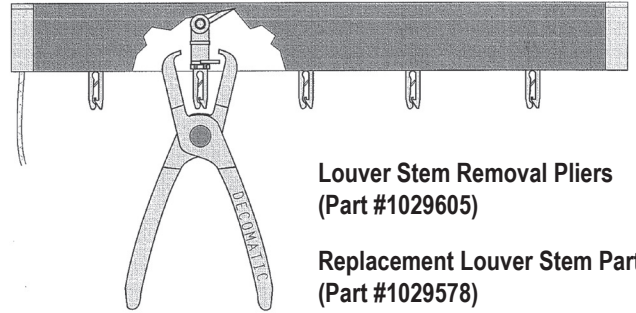


(1) Press the link down into the traversing wand gear to fix in place. Then (2), assemble the wand to the link. Finally (3), release the link by pulling upwards.
Note: Holes on top of wand must engage with pegs on the link.

7. Louver Stem Removal Instructions



1. Rotate vanes to the open position.
2. Compress clear area in grey area in grey gear with louver stem removal pliers.
3. Install louver stem as shown in diagram below

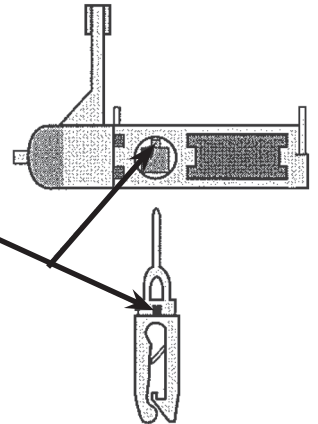


Louver Stem Removal Pliers
(Part #1029605)

Replacement Louver Stem Part
(Part #1029578)

8. Louver Stem Installation

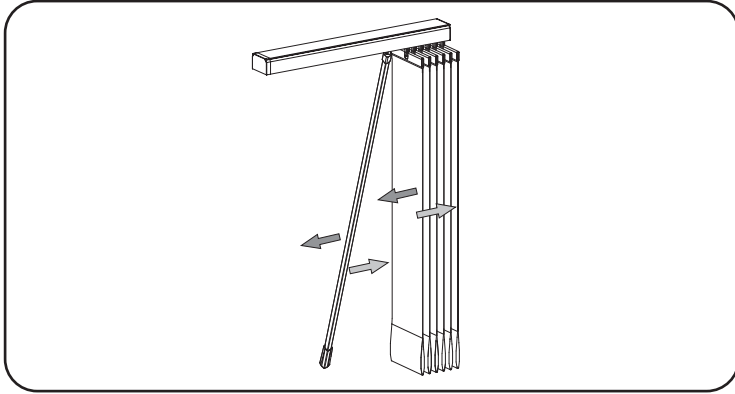
Insert louver stem into the gear so that the tab on the louver stem is in line with the groove in the gear. Press firmly into the gear until the hook locks.



Note: Do not attempt to reuse any louver stems.

INSTALLATION INSTRUCTIONS

Control Operation



IMPORTANT: Vanes must be in the open position to traverse as shown in illustration.

Wand Control:

A single wand is attached to the lead carrier. Operate the blind by twisting the wand to rotate the vanes open and closed. Pull the wand across the headrail/track to traverse the vanes.

IMPORTANT: When traversing the wand, do not tilt the wand up and away from the blind as this may cause the wand to disengage from the wand gear. If the wand disengages, simply follow the steps in "Attach the Wand Control" to re-attach. For best results, operate the wand perpendicular to the headrail and push or pull the wand across to the left or right.

Child Safety

⚠ WARNING ⚠ ADVERTENCIA



Window Blind Cord Strangulation Risk

Window Blinds with a damaged or loose tension device or retractable cord that fails to fully retract pose a strangulation risk to children. To avoid this potential strangulation risk, consider purchasing cordless products or products with inaccessible cords.

Riesgo de Estrangulamiento en Cuerdas de Persianas

Las persianas con un dispositivo tensor suelto o dañado o con una cuerda retractable que no se ajusta completamente representan un riesgo de estrangulación para los niños. Para evitar un posible riesgo de estrangulamiento, considere comprar productos inalámbricos o productos con cuerdas inaccessibles.