

French Returns Installation Instructions

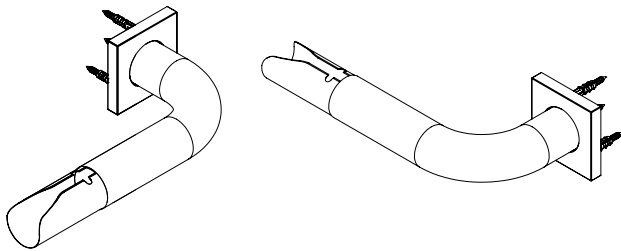
1 1/8" & 1 3/8"

French Returns - 1 1/8" & 1 3/8"

Thank you for purchasing your new French Returns. With proper installation and care, they will provide you with many years of beauty and trouble-free use. Clean with a soft cloth. Do not use harsh or abrasive cleaning supplies or polishes which may damage the finish.

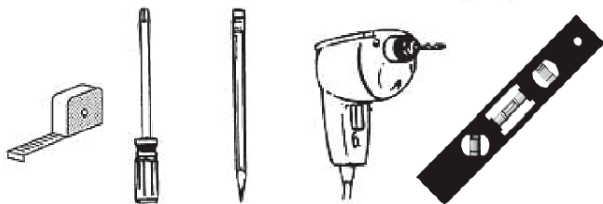
Components Included for each French Return

- Tube splice
- French Return
- Wall mount
- Decorative backplates
- Lightweight fastening hardware
- Instructions



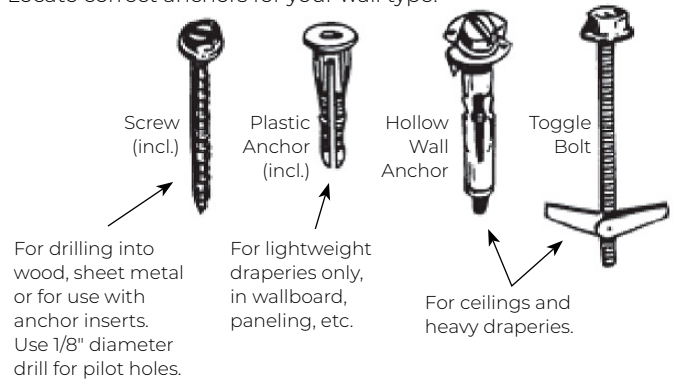
Tools Needed for Installation (not included)

- Tape Measure
- Pencil
- Level (recommended)
- Phillips screwdriver
- Drill with 3/16" drill bit to pre-drill for plastic expansion anchors



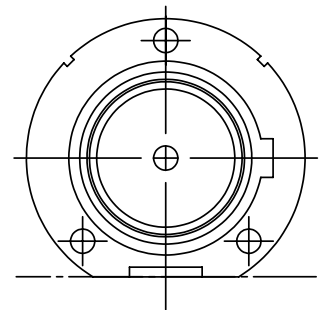
French Return Installation

1. Locate correct anchors for your wall type.



Determine the desired height and width based on the drapery. Be certain to make the appropriate allowance for the decorative hardware. It is recommended that the French Return be installed approximately 2" or more inches beyond the window frame.

2. Locate the French Return's left hand position and mark the location on the wall by adding cross marks to the wall.
3. Align both wall mounts vertically with the center drill holes and level horizontally with the flat side of the wall mount plate. If using plastic expansion anchors, pre-drill holes using 3/16" drill bit. If drilling directly into a stud or wood trim, pre-drill holes with 3/32" drill bit.



See bracket templates on pages 3-4. Once template position is established, locate cross-hairs that indicate screw placement. Firmly press pencil into cross-hairs and through paper, leaving a slight mark on the wall.

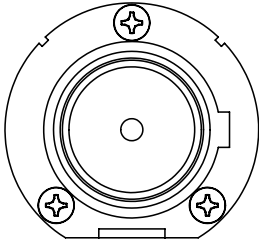
Tips for Successful Installation

Securely attach all French Returns to the mounting surface. If you do not locate and install into wood studs, use the proper wall fasteners and /or plastic anchors designed for your particular mounting surface (fasteners are included). When drilling into metal, use self-tapping screws (not included).

Make certain all French Returns line up evenly by measuring their placement.

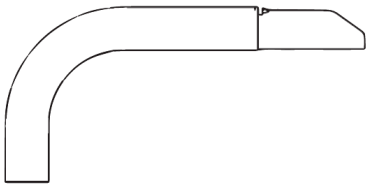
- Attach both the left and right side wall mounts to the wall with the correct fasteners.

NOTE: Using too many fasteners in drywall may cause weakening of the drywall and cause bracket failure.



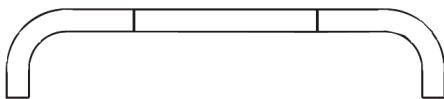
NOTE: If the installation requires a center bracket, install it now.

- Insert tube splice into both French Returns halfway and adjust the tabs to ensure a tight fit.

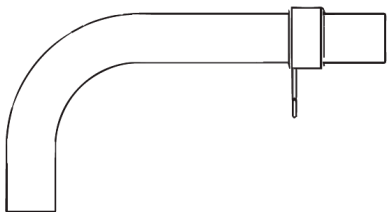


- Insert both French Returns with tube splices into pole ends and adjust the tabs to ensure a tight, flush fit.

NOTE: If center bracket is required, attach to pole at this time.

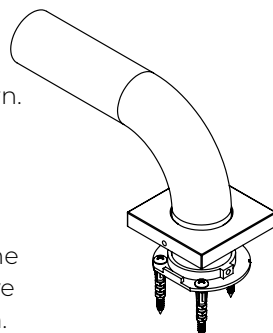


NOTE: If French Return Bands are ordered, place on the pole at this time. Be careful not to scratch the finish when installing the French Return Bands.

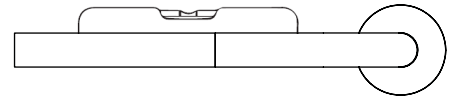


- Locate decorative backplates and place over each French Return. Push left French Return into wall mount. Push right French Return into wall mount.

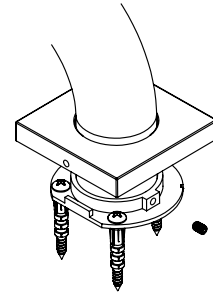
NOTE: Be careful not to scratch the finish when placing the decorative backplate over the French Return.



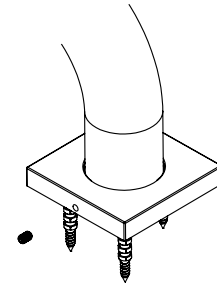
- Level French Return assemblies and pole.



- Tighten set screws on wall mounts and continue to check level as fasteners are tightened.



- Position and attach decorative backplates over wall mounts.

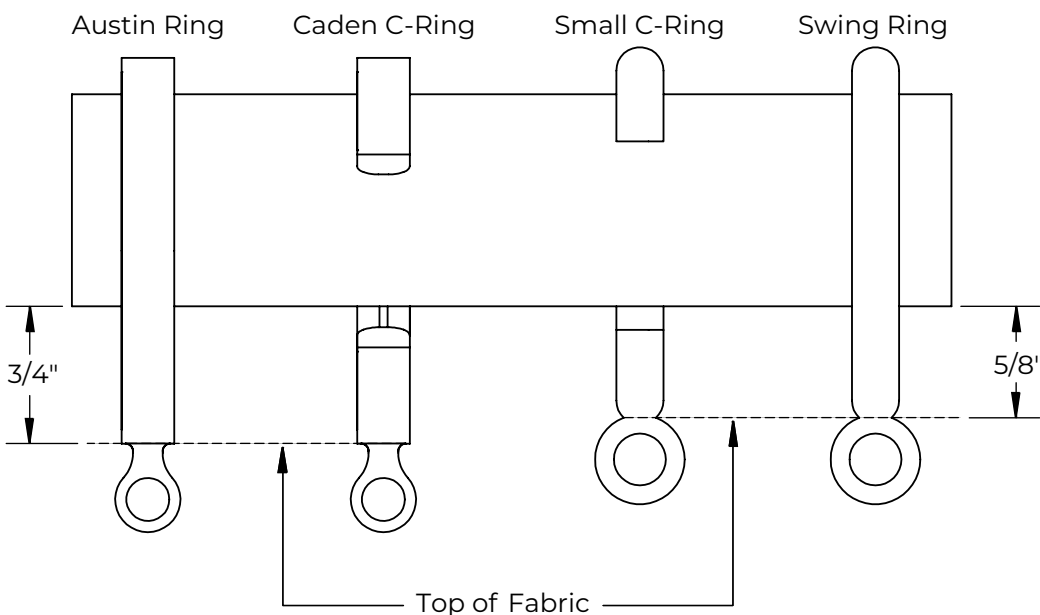
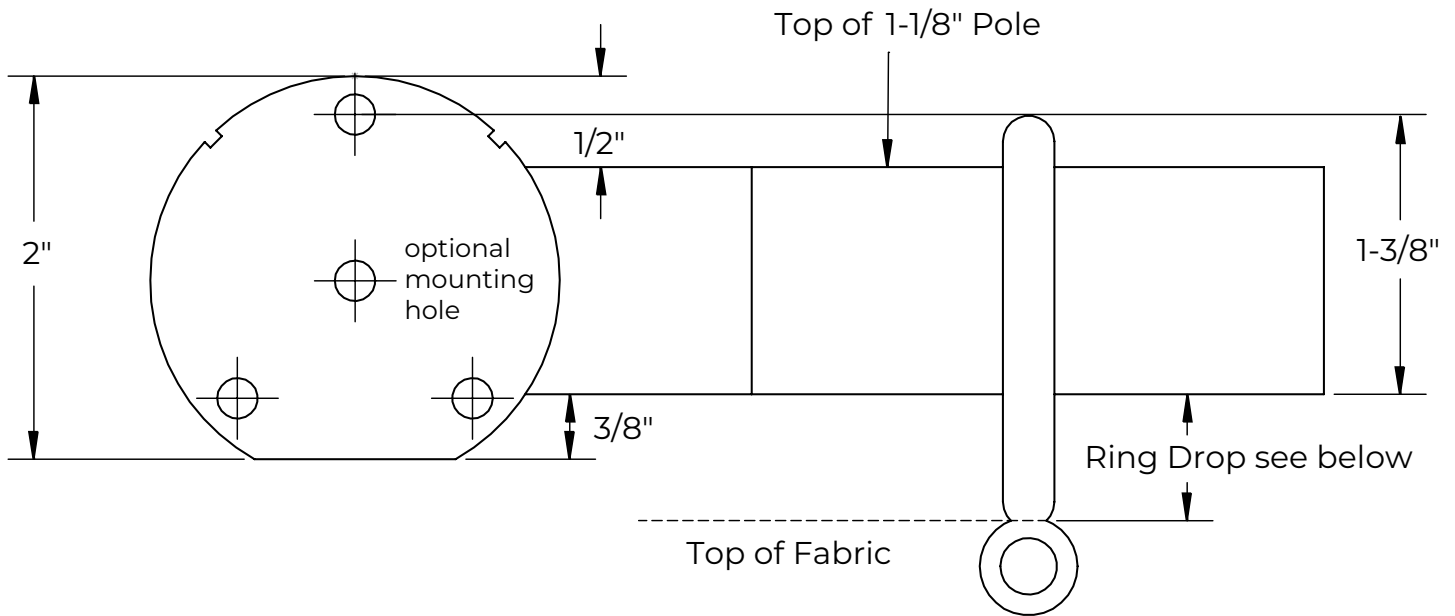


NOTE: Check all fasteners to ensure the French Return is securely attached.

See bracket templates on pages 3-4.

Portfolio 1 1/8" French Return Bracket Template

PO118MEFRR & PO118MEFRS



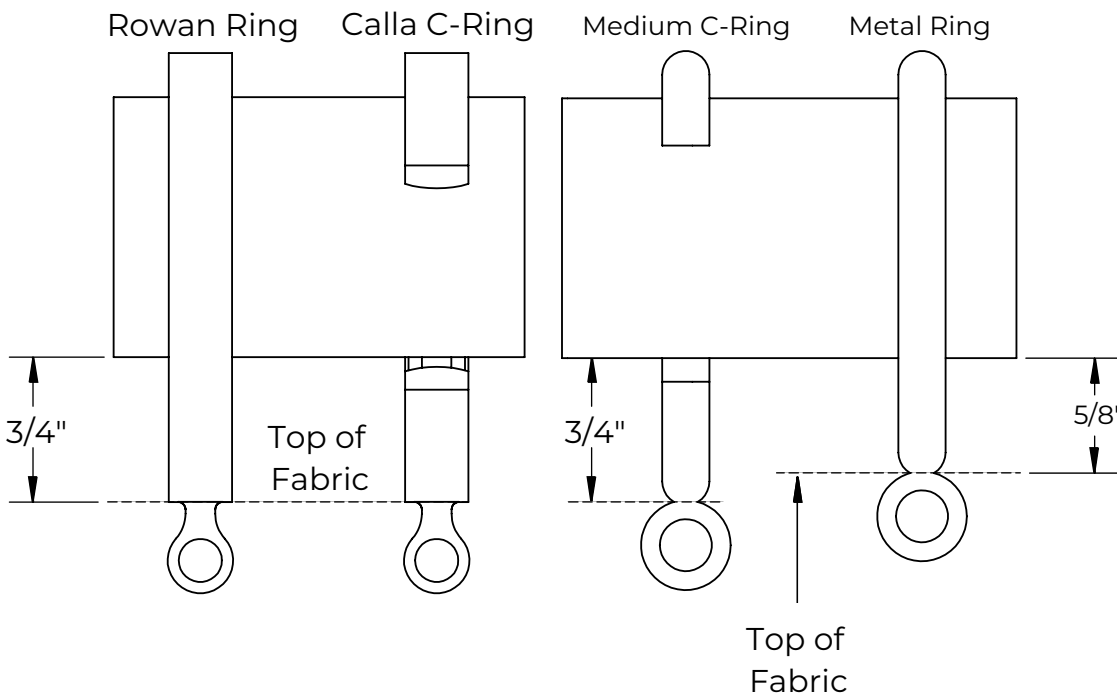
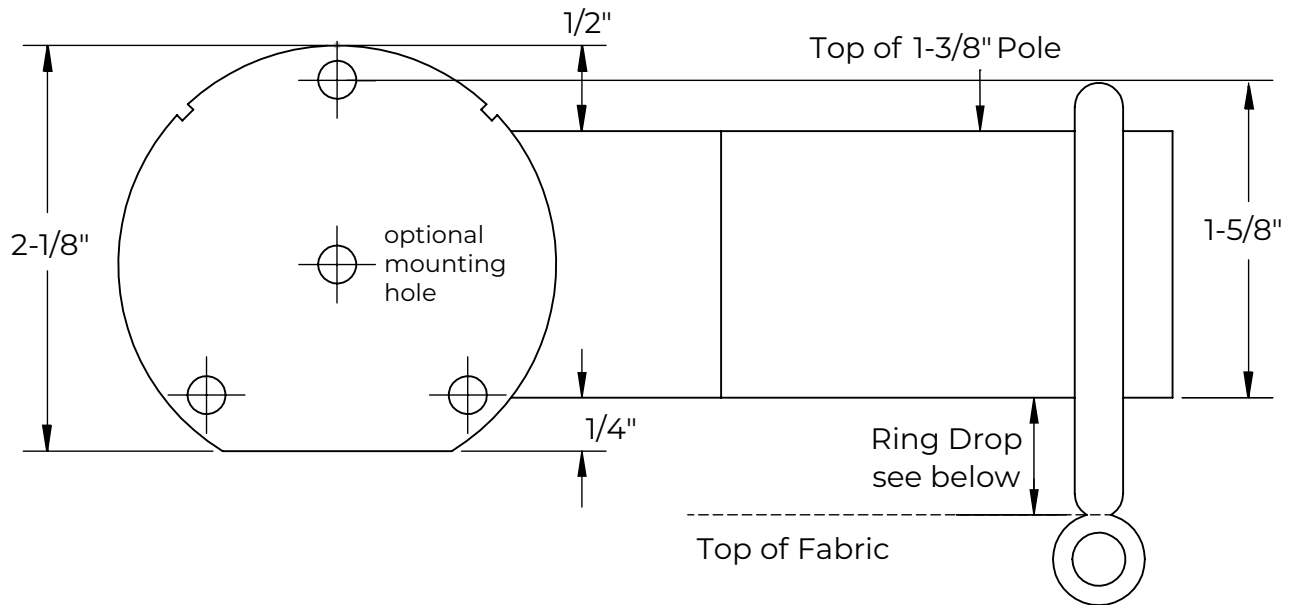
IMPORTANT for Installation

Measurements are to the nearest 1/8". Check printed template for accuracy with ruler before installation!

TIP » For best accuracy when printing this PDF, choose "none" for page scaling. Do not "fit to page."

Portfolio 1 3/8" French Return Bracket Template

PO138MEFRR & PO138MEFRS



IMPORTANT for Installation

Measurements are to the nearest 1/8". Check printed template for accuracy with ruler before installation!

TIP » For best accuracy when printing this PDF, choose "none" for page scaling. Do not "fit to page."