

Finial Plastic Plug Installation Instructions

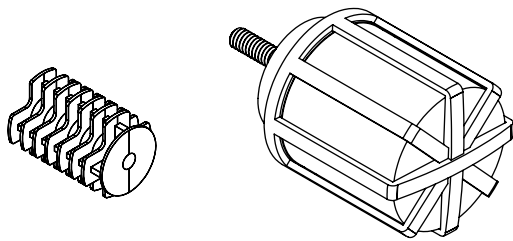
1 1/8" & 1 3/8"

Finial Plastic Plug - 1 1/8" & 1 3/8"

Thank you for purchasing your new Paris Texas Hardware™ Finials with Plastic Plugs. Proper installation of the finials with plastic plugs will provide you with many years of beauty and trouble free use. Clean with a soft cloth. Do not use harsh or abrasive cleaning supplies or polishes which may damage the finish.

Components Included for each Finial

- Finial
- Plastic Plug
- Instructions

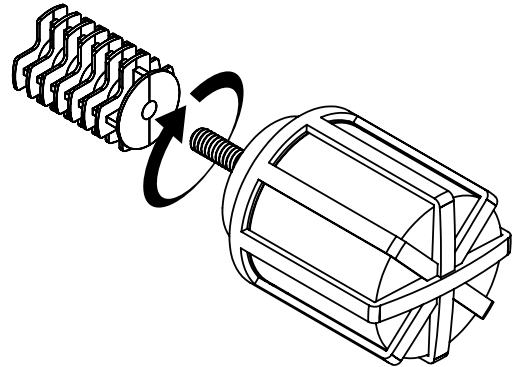


Tip for Successful Installation

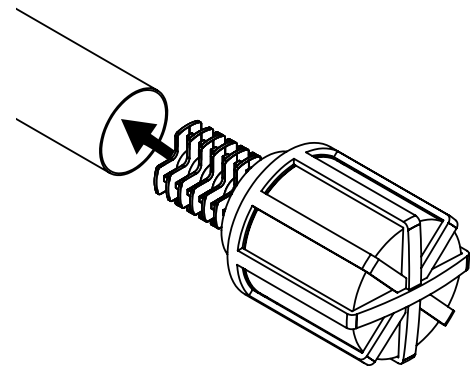
Wear gloves to protect hands and keep fingerprints off the finials.

Finial Plastic Plug Installation

1. Screw the finial onto the plastic plug.



2. Insert the plug into the pole and push firmly until the plug fits entirely into the pole (do not use a hammer or any other method to pound on the finial).



3. Make sure the finial plug is fully seated inside the pole and finial is in contact with the pole. Before you repeat these steps for the finial at the other end of the pole, install any rings onto the pole and slide the pole through the brackets if using eyelet brackets.

