

# THE FINIAL COMPANY™

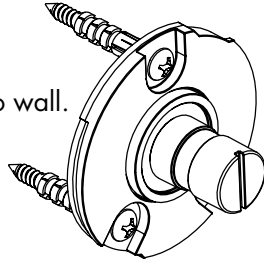
## Metal Bracket Installation Instructions

### WALL MOUNT BRACKET INSTALL:

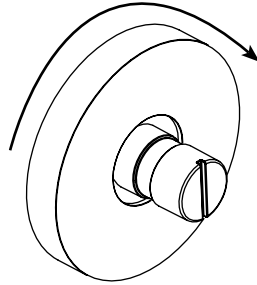
NOTE: Installer is responsible for determining the correct mounting fastener and wall location per the wall construction type.

Step 1. Locate bracket base plate.

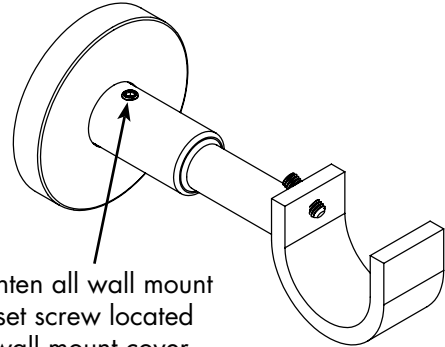
Step 2. Mount wall mount base plate to wall.



Step 3. Locate bracket base cover. Place cover over wall mount base plate. Turn cover clockwise to lock in place.



Step 4. Locate the bracket stem. Place stem onto the wall mount base plate.



Step 5. Tighten all wall mount stems with set screw located above the wall mount cover.