

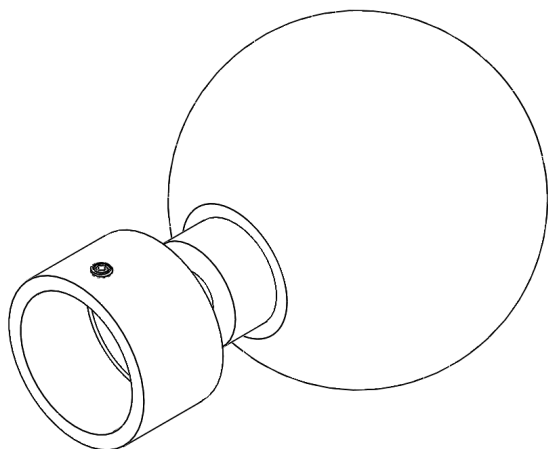
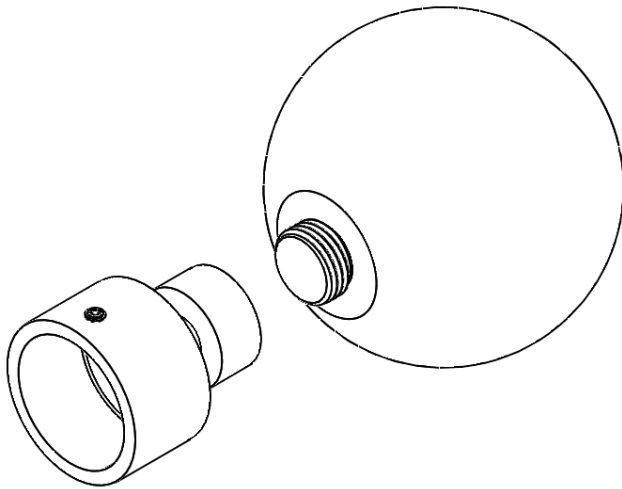
THE FINIAL COMPANY™

Modern Metal Collection Finial Assembly Instructions

Modern Metal Finials

Thank you for purchasing your new Modern Metal Finials. With proper installation and care, they will provide you with many years of beauty and trouble-free use. Clean with a soft cloth. Do not use harsh or abrasive cleaning supplies or polishes which may damage the finish.

1. Screw the Finial onto the Collar with the Allen Wrench provided.
(TFCM600 Finial and TFCM118801 Collar shown)



2. Slide the Finial & Collar Assembly onto the Pole and tighten the set screw with the Allen Wrench provided to lock into place.

