

THE FINIAL COMPANY™ R-TEC AUTOMATION[®] HEAVY DUTY CENTER OR ONE-WAY DRAW TRAVERSE SYSTEMS INSTALLATION INSTRUCTIONS

Please read all instructions before starting

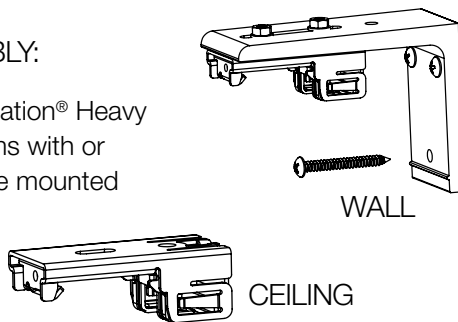
INTRODUCTION:

The TFC™ R-TEC Automation[®] Heavy Duty Traverse System is used to electronically control the drapery using a Slim Drapery Motor and Remote Control. By using a Remote Control or the R-TEC Automation[®] App via a smartphone or tablet, the operator can open and close the drapery smoothly and precisely.

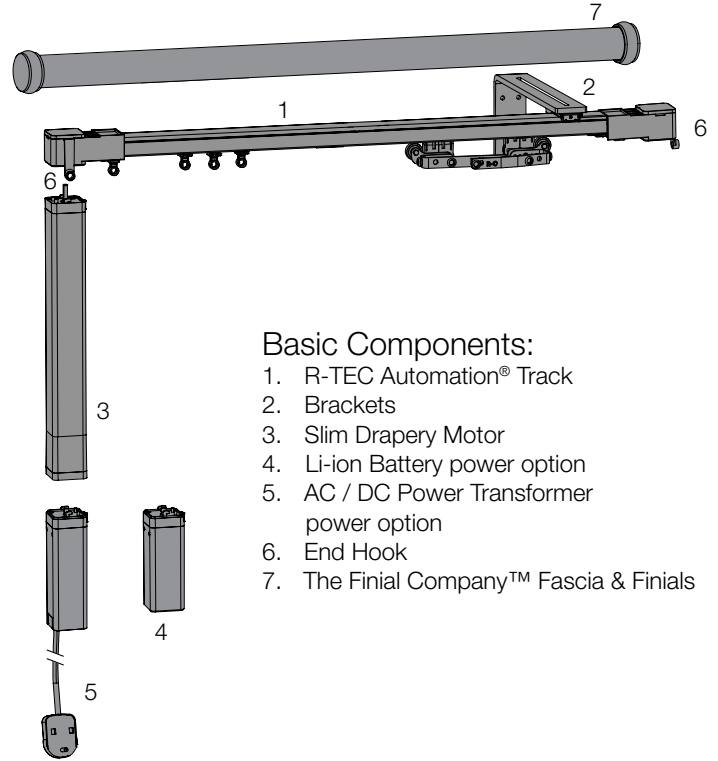
The maximum fascia width for this system is 16' continuous and 36' spliced. The maximum track width for this system is 19' continuous and 36' spliced. The minimum width for this system is 37". The maximum drapery weight is 110 lbs. Single or Double System.

BRACKET ASSEMBLY:

TFC™ R-TEC Automation[®] Heavy Duty Traverse Systems with or without Fascia can be mounted on the wall or ceiling.



PARTS LIST:

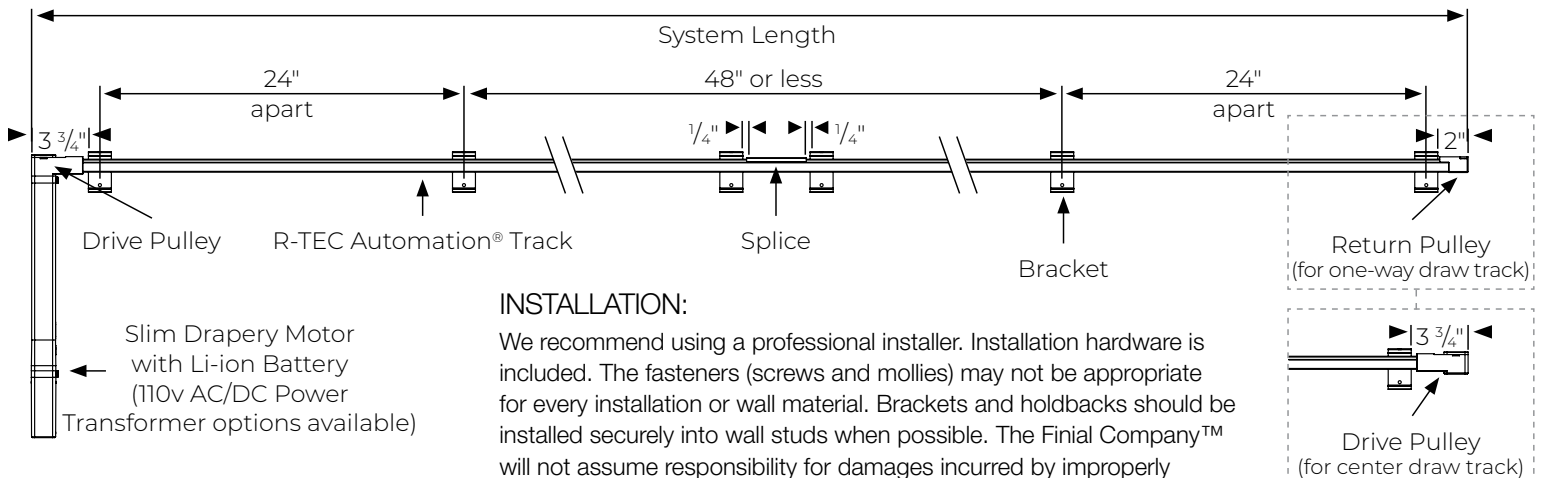


Basic Components:

1. R-TEC Automation[®] Track
2. Brackets
3. Slim Drapery Motor
4. Li-ion Battery power option
5. AC / DC Power Transformer power option
6. End Hook
7. The Finial Company™ Fascia & Finials

BRACKET PLACEMENT:

It's recommended to use 1 bracket beside each pulley. On the remaining part of the R-TEC Automation[®] Track, bracket-to-bracket distances should be no more than 24". Also, 1 bracket should be placed on each side of a splice if used.



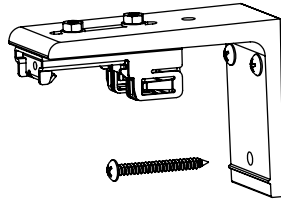
INSTALLATION:

We recommend using a professional installer. Installation hardware is included. The fasteners (screws and mollies) may not be appropriate for every installation or wall material. Brackets and holdbacks should be installed securely into wall studs when possible. The Finial Company™ will not assume responsibility for damages incurred by improperly mounted or inadequately supported hardware.

WALL MOUNT TRACK SYSTEM INSTALL:

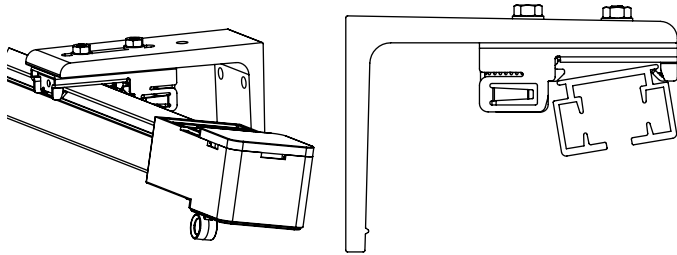
NOTE: Installer is responsible for determining the correct mounting fastener and wall location per the wall construction type.

Step 1. Locate brackets.

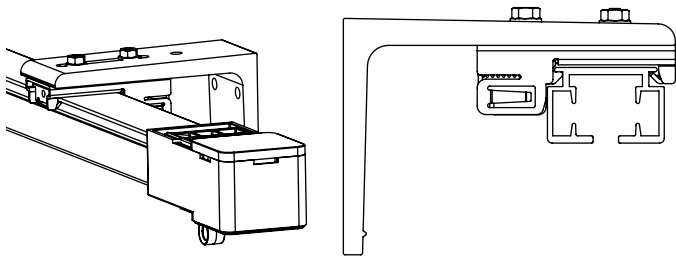


Step 2. Mount brackets to wall.

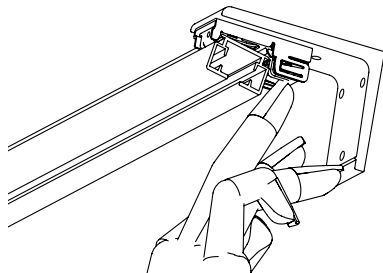
Step 3. Install system at an angle.



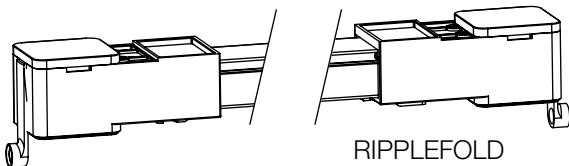
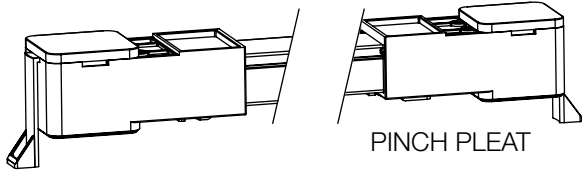
Step 4. Push system upward until system clicks in place.



NOTE: To release track, push release lever.



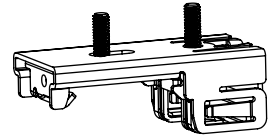
Step 5. Install End Hook on both Drive Pulleys.



CEILING MOUNT TRACK SYSTEM INSTALL:

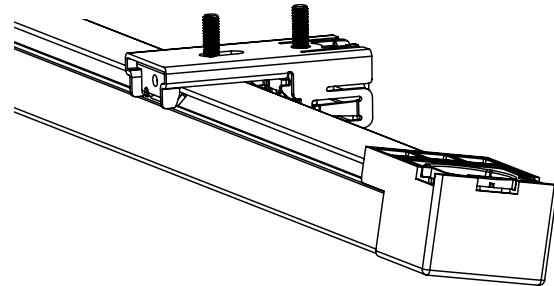
NOTE: Installer is responsible for determining the correct mounting fastener and wall location per the wall construction type.

Step 1. Locate ceiling mount brackets.

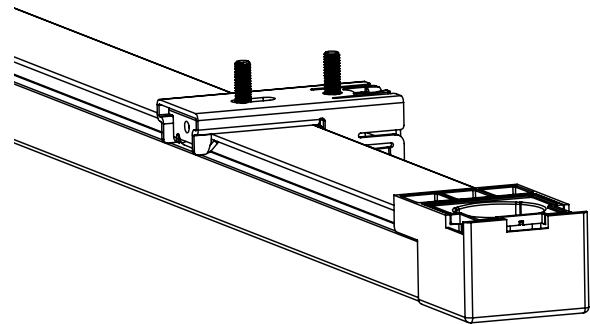


Step 2. Mount bracket to ceiling.

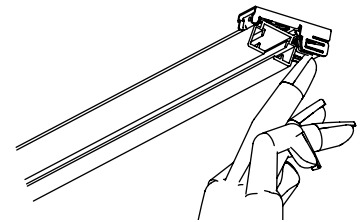
Step 3. Install system at an angle.



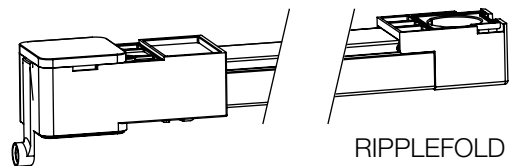
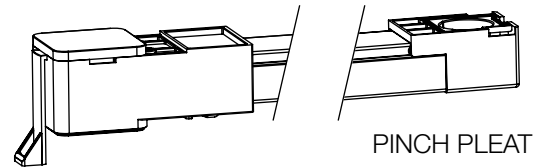
Step 4. Push system upward until system clicks in place.



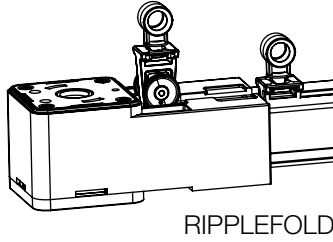
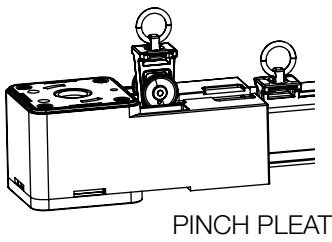
NOTE: To release track, push release lever.



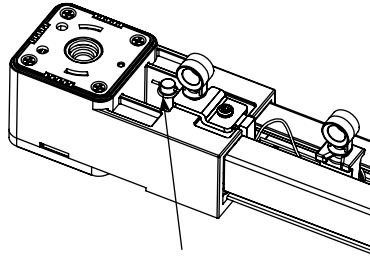
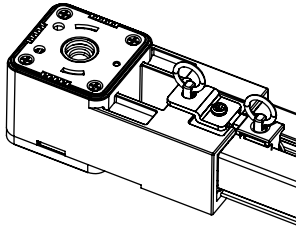
Step 5. Install End Hook only on the Drive Pulley side.



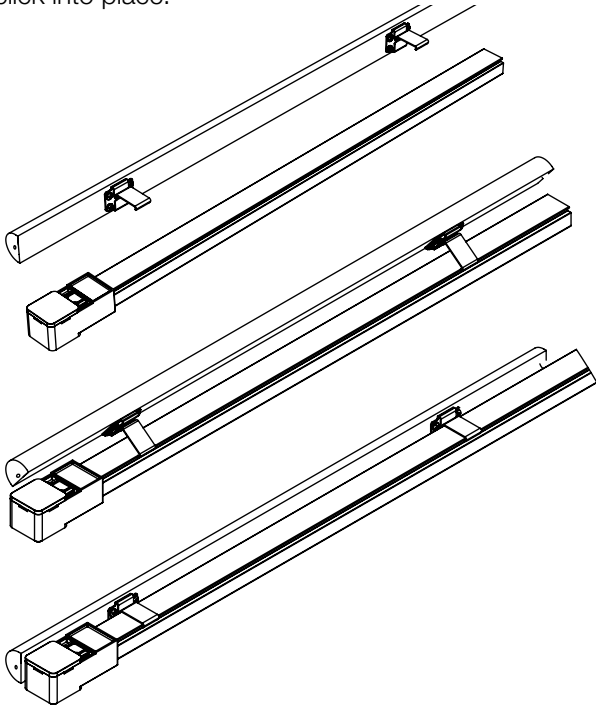
NOTE: Glides can be added or removed with the Drive Pulley installed.



Step 6. Install the End Stops.



Step 7. Install the Fascia on the Track. Angle fascia clips over the Track, then push the Fascia and Fascia Clips down until they click into place.



Step 8. Install the Finials or End Caps by screwing them into the Fascia on both ends.



How to get started using your TFC™ R-TEC Automation® Heavy Duty Traverse System:

- Please read all the instructions provided with your Slim Drapery Motor.
- Your motor will be shipped in “sleep mode” and must be woken up before using.
- You will need a remote control or a smartphone to set up and control your Slim Drapery Motor.
- Only use power options for your motor that are available through Rowley Company.

