

THE FINIAL COMPANY™

Steel Pole Bent Returns Rectangular Bracket Installation Instructions

Steel Pole Bent Returns - Rectangular Bracket

Thank you for purchasing your new Steel Pole Bent Returns. With proper installation and care, they will provide you with many years of beauty and trouble-free use. Clean with a soft cloth. Do not use harsh or abrasive cleaning supplies or polishes which may damage the finish.

Parts Included:

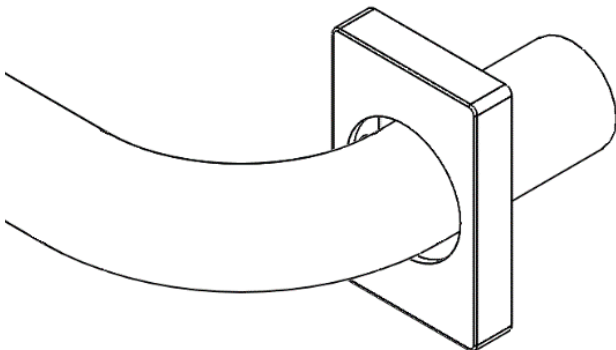
- Bracket Base
- Bracket Cover
- Pole Mount Socket Head Cap Screw
- Cover Set Screw
- Allen Wrench for the Cover Set Screw

Tools and Hardware Needed:

- 3/16" Allen Wrench
- Wall Attachment Screws
- Drill or Screwdriver for Wall Attachment Screws
- Hollow Wall Anchors (if needed)

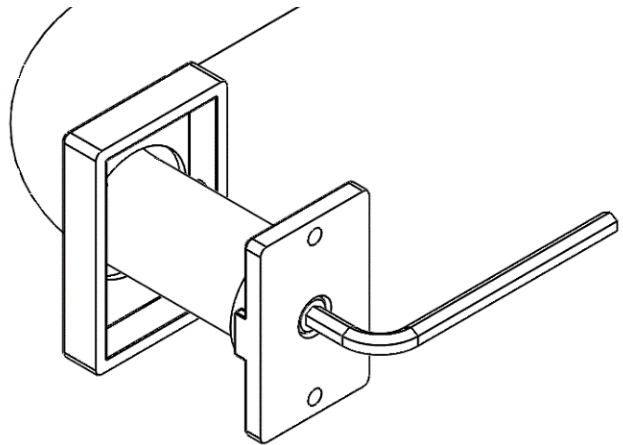
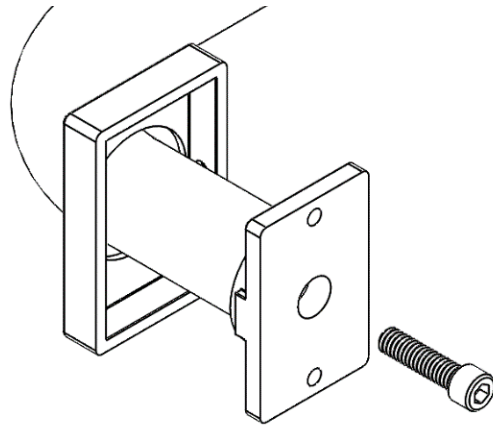


1. Slide a Bracket Cover on each side of the pole.

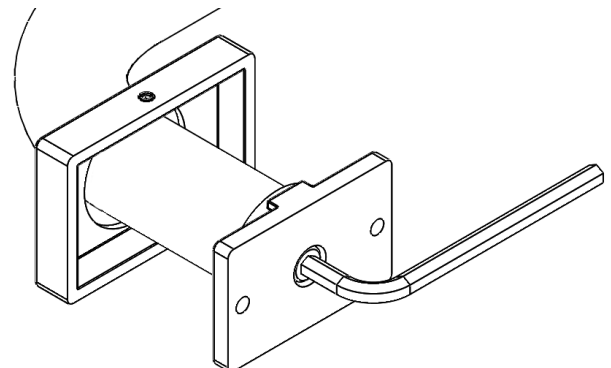
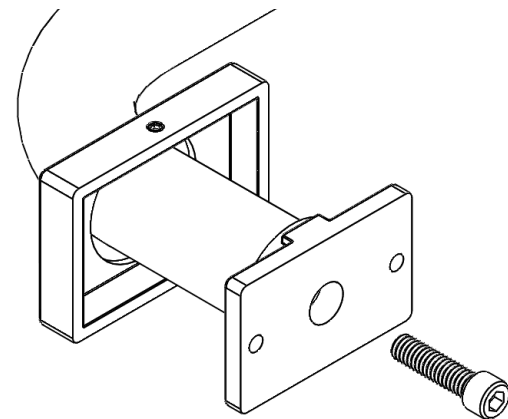


2. Use a 3/16" Allen Wrench to attach the Bracket Base onto the pole. The Bracket Base can be aligned vertically or horizontally.

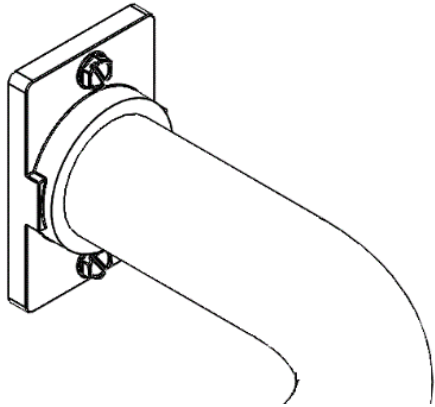
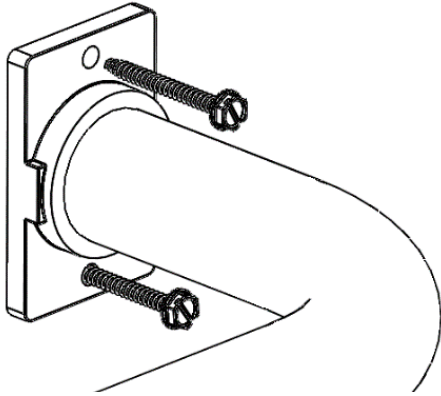
Vertical Installations



Horizontal Installations



3. Attach the Bent Return Pole Assembly to the wall. Use hollow wall anchors if not screwing directly into a wall stud. (Vertical Installation Shown)



4. Slide Bracket Cover onto Bracket Base and tighten the set screw with the Allen Wrench provided to hold the cover in place. Repeat for the other bracket. (Vertical Installation Shown)

