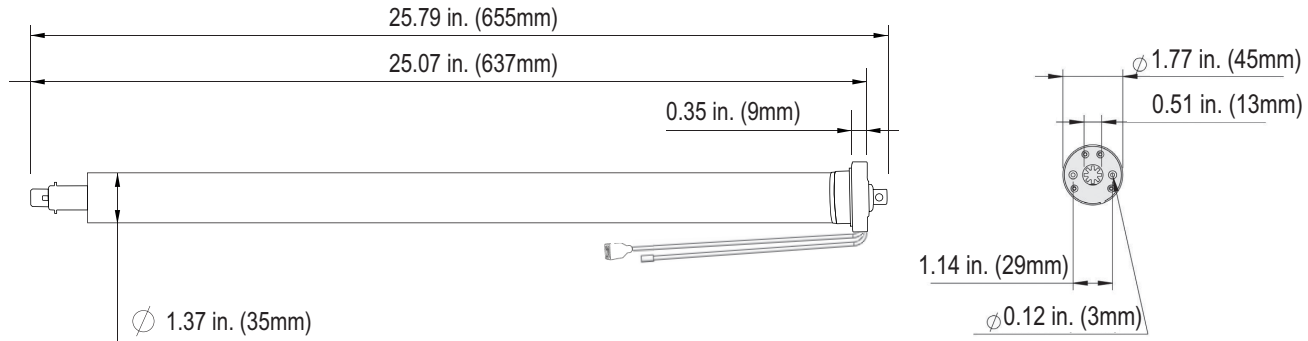


### DIMENSIONS



### SPECIFICATIONS

Model	BLISS 3.0 LI-ION
Torque	6.0Nm
Speed	24rpm (adjustable to 16 or 20)
Motor Size (L x W x H)	655mm*47mm*47mm
Voltage	12V DC
Current	3.23A
Power	38W
IP Class	IP20
Insulation Grade	A

Battery Model / Type	Internal /Lithium Ion
Battery Capacity	3200mAh
Working temp	32°F to 140°F (0°C to 60°C)
RF Modulation	FSK
Radio Frequency	433.92 MHz
Max Running Circles	6 Minutes
Limit Switch Type	Electronic
Sound Level	53dB
Net Weight	2.86Lbs

### FEATURES AND BENEFITS

- Built-in motor lithium battery
- Solar charging
- Bi-directional
- App compatible
- Electronic limit
- Slow jog & tilt mode
- Leveling control
- Favorite position
- Adjustable RPM

### APPLICATIONS

- Roller Shades