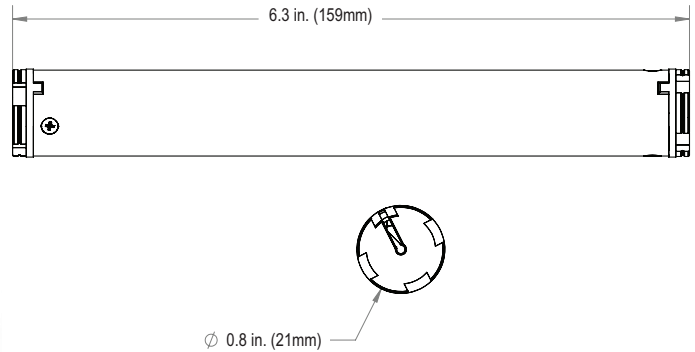


DIMENSIONS



SPECIFICATIONS

Input Volts	7.2V
Output Volts	7.2V
Capacity	2200mAh

Battery Size (LxWxH)	159mm X 21mm X 21mm
IP Rating	IP20
Temp Working Range	32°F to 104°F (0°C to 40°C)

FEATURES AND BENEFITS

- Power source on BLISS Lift BU 0.6 Li-ion and BLISS Lift TDBU 0.6 Li-ion motors able to fit inside headrail
- Rechargeable Li-ion battery pack, fully recharge in approximately 6 hours
- USB Charger Port
- Provides up to 500 up/down cycles on a single charge
- Battery health status reported in BLISS™ APP

APPLICATIONS

- Honeycomb / Cellular Bottom Up
- Honeycomb / Cellular TDBU (US)
- Honeycomb / Cellular Two-Fabric Combination
- Honeycomb / Cellular TriLight (US)

OPTIONAL ACCESSORIES



Plug In Charger Kit
(Including a 10FT charging cable)
Part # 1027720