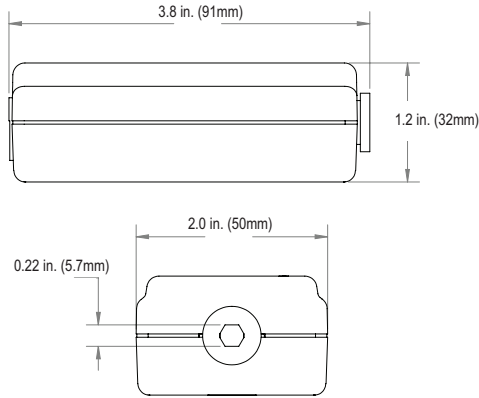

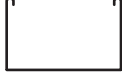


DIMENSIONS



Headrail Adapters	System Type	Headrail Profile
 Low Profile Headrail Adapter	1.5" x 2.25" (38mm x 57mm) Low Profile Headrail	

SPECIFICATIONS

Model	BLISS TILT DC
Torque	0.6Nm
Speed	12rpm (adjustable to 15 or 20)
Motor Size (L x W x H)	91mm*50.0mm*32.4mm
Voltage	12V DC
Current	0.5A
Power	6W
IP Class	IP20
Insulation Grade	A

Battery Model / Type	External Battery Pack (Part # 62203300)
Battery Capacity	2600mAh
Working temp	32°F to 140°F (0°C to 60°C)
RF Modulation	FSK
Radio Frequency	433.92 MHz
Max Running Circles	6 Minutes
Limit Switch Type	Electronic
Sound Level	50dB
Net Weight	0.1Lbs

FEATURES AND BENEFITS

- External battery for headrail
- Solar charging
- Bi-directional
- App compatible
- Electronic limit
- Slow jog & tilt mode
- Leveling control
- Favorite position
- Adjustable RPM

APPLICATIONS

- Wood/Faux Blinds Tilt Only (US)