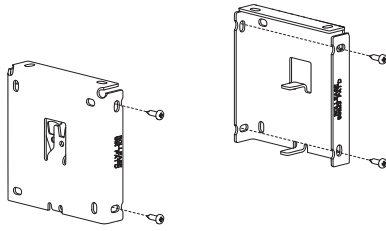
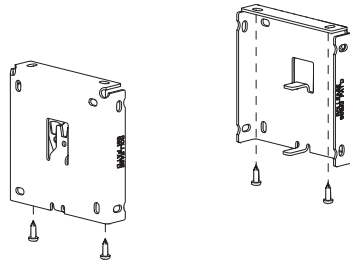


4" FASCIA - R-SERIES

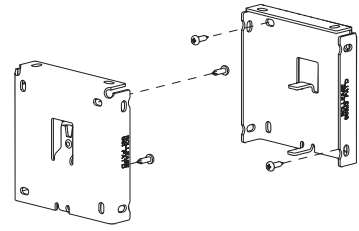
Wall Mount



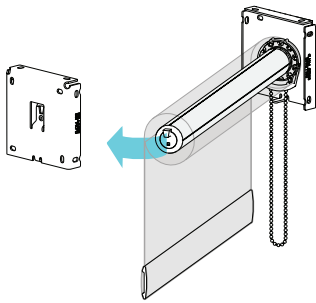
Ceiling Mount



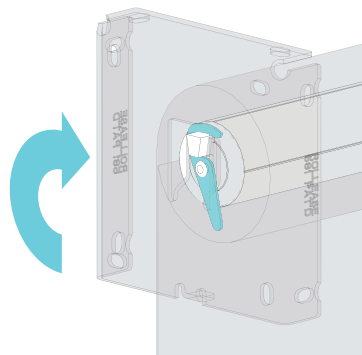
Inside Mount



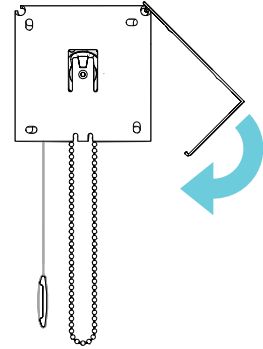
Attach Clutch, swing assembly to bracket



Rotate Hook over pin end



Attach Fascia Cover. Swing from top



Attach Face Plates

