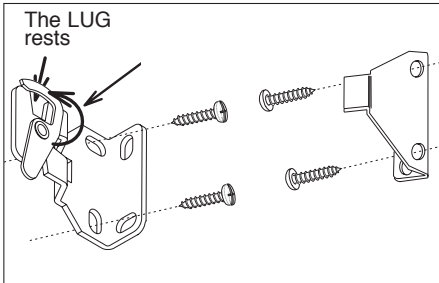


R-Series Installation

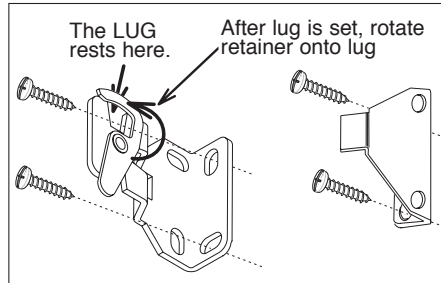
1. MOUNT THE BRACKETS.

If the clutch is on the right end of the shade, attach the brackets to the window frame, window molding, wall or ceiling, as shown below. If the clutch is on the left end of the shade, reverse the bracket positions, left for right.

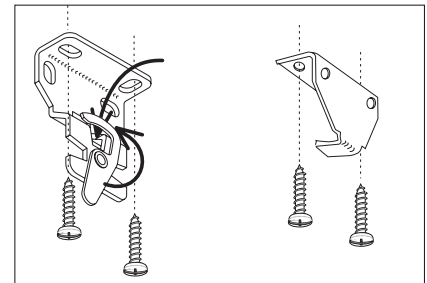
TO THE INSIDE OF
THE WINDOW FRAME



TO THE WALL OR TO THE
FRONT OF THE WINDOW MOLDING

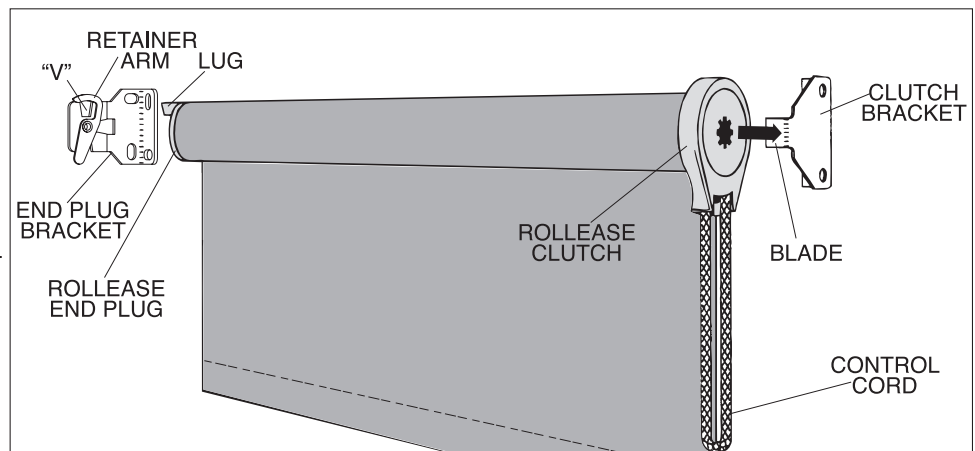


TO THE CEILING OR TO THE
TOP OF THE WINDOW FRAME



2. INSTALL THE SHADE.

- Push the clutch straight onto the blade of its bracket. The bottom of the clutch should always point straight down.
- Lower the lug of the end plug onto the "V" of its bracket. The roller should fit in the brackets securely, with just a little play. Rotate the riveted retainer portion to lock the lug in position.



3. INSTALL THE TENSION DEVICE

See **SafetyHold3** Installation Instructions



4. USE THE CONTROL CORD TO OPERATE THE SHADE.

Pulling gently on the cord in one direction raises the shade; pulling it in the other direction lowers it.

On shades where the fabric rolls against the window, the front cord does the raising. On shades where the fabric rolls toward the room, the rear cord does the raising.

5. ATTACH STOPS TO A CONTROL CORD THAT'S MADE OF BEAD CHAIN.

On metal bead chain, attach a metal stop ball that is at least 5/16" (8mm) in diameter, so that it touches the mouth of the clutch when the shade is in the all-rolled-up position.

For metal or plastic bead chain, lower the shade to sill or floor height, and attach the appropriate metal stop or plastic connector next to the clutch, this prevents the shade from being lowered beyond that point.