

Roman Shade Fabrication Kits

The Lutron® Roman Shade Fabrication kit includes the ultra-quiet, precision-controlled Roller 64, Roller 100, or Roller 150 Electronic Drive Unit (EDU). This motorization solution for custom-fabricated Roman Shades controls the movement of the shade, keeps track of the shade's position, and adjusts the shade to the user's desired preset positions.

Roman Roller 64 Kit



Features and Specifications

- Roller 64 shade chassis is compatible with Sivoia® QS and Sivoia® QS Wireless drives and controls
- Maximum shade width: 109.5 in (2.78 m)
- Maximum lift capacity: 11.7 lb (5.3 kg)*
- Input: 24-36 V $\overline{=}$ 52 W
- Torque: 10 in-lb (1.12 N•m)
- 8 year limited warranty

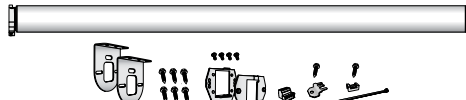
Environment

- For indoor use only
- Temperature: 32° F to 104° F (0° C to 40° C)
- Relative humidity: <90% non-condensing

Kit Contents

- (1) Roller 64 EDU equipped shade tube with idler
- (2) Mounting brackets with bracket mounting screws
- (1) 4-pin EDU terminal block
- (1) RF wireless receiver (included only when Sivoia® QS Wireless control is chosen)

Roman Roller 100 Kit



Features and Specifications

- Roller 100 shade chassis is compatible with Sivoia® QS and Sivoia® QS Wireless drives and controls
- Maximum shade width: 145.25 in (3.68 m)
- Maximum lift capacity: 17.9 lb (8.12 kg)*
- Input: 24-36 V $\overline{=}$ 37 W
- Torque: 25 in-lb (2.82 N•m)
- 8 year limited warranty

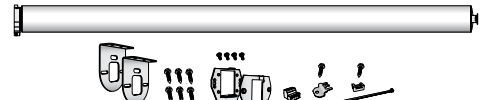
Environment

- For indoor use only
- Temperature: 32° F to 104° F (0° C to 40° C)
- Relative humidity: <90% non-condensing

Kit Contents

- (1) Roller 100 EDU equipped shade tube with idler
- (2) mounting brackets with bracket mounting screws
- (4) Shade-to-mounting-bracket screws
- (1) Idler support bracket
- (1) Idler-adjust bracket
- (1) 4-pin EDU terminal block
- (1) RF Wireless Receiver (included only when Sivoia® QS Wireless control is chosen)

Roman Roller 150 Kit



Features and Specifications

- Roller 150 shade chassis is compatible with Sivoia® QS and Sivoia® QS Wireless drives and controls
- Maximum shade width: 145.25 in (3.68 m)
- Maximum lift capacity: 23.5 lb (10.66 kg)*
- Input: 24-36 V $\overline{=}$ 45 W
- Torque: 33 in-lb (3.73 N•m)
- 8 year limited warranty

Environment

- For indoor use only
- Temperature: 32° F to 104° F (0° C to 40° C)
- Relative humidity: <90% non-condensing

Kit Contents

- (1) Roller 150 EDU equipped shade tube with idler
- (2) Mounting brackets with bracket mounting screws
- (4) Shade-to-mounting-bracket screws
- (1) Idler support bracket
- (1) Idler-adjust bracket
- (1) 4-pin EDU terminal block
- (1) RF Wireless Receiver (included only when Sivoia® QS Wireless control is chosen)

*** NOTE:** The lift cord or lift band routing method may effectively reduce the maximum lift capacity. Refer to **EDU Selection** on page 3 or more details.

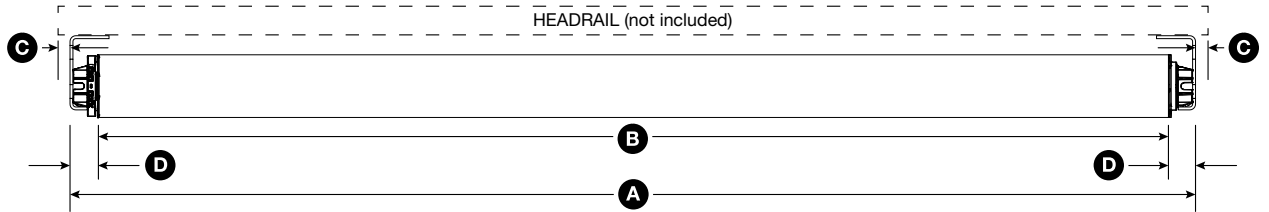
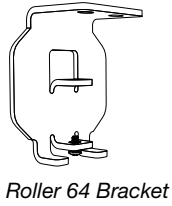
▲ IMPORTANT SAFETY NOTICE:

Window shades or blinds are subject to industry and, in some cases, government standards intended to enhance safety and to protect children against risk of strangulation from entanglement in window cords or bands. Among other things, these standards govern the treatment of exposed cords or bands, warning labels and hang tags, and the spacing of pleats in finished shades or blinds.

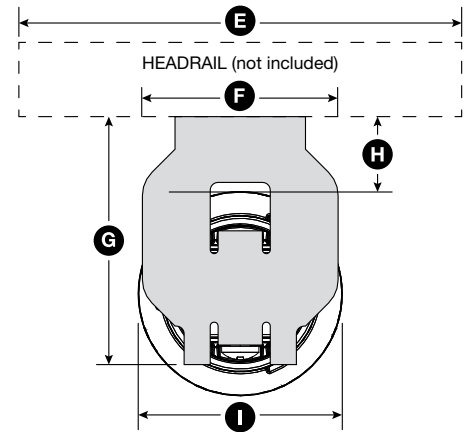
You are responsible for ensuring that your finished window shades or blinds meet applicable standards. For more information, go to: www.wcmanet.org, www.cpsc.gov (USA), or www.hc-sc.gc.ca (Canada), as applicable. For countries other than the USA or Canada, please consult applicable industry trade associations and government safety agencies.

Dimensions

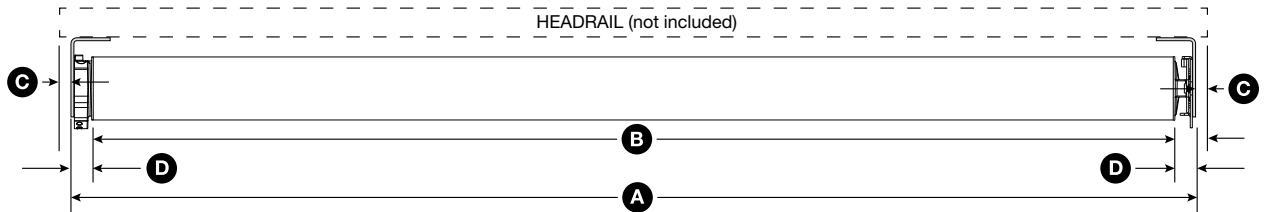
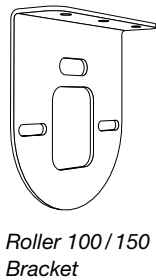
Roller 64



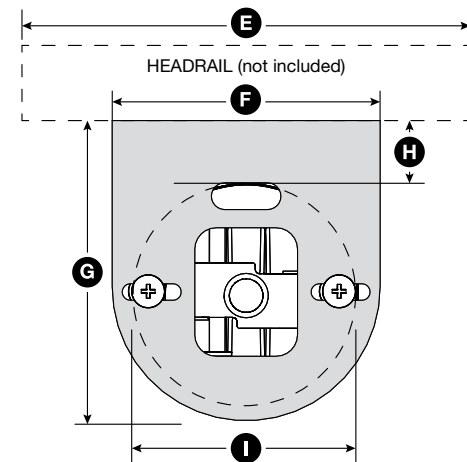
- A** Bracket-to-bracket width:
Min. 21.5 in (546 mm)
Max. 109.5 in (2781 mm)
- B** Tube width
- C** Min. headrail-end to bracket clearance: 0.125 in (3 mm)
- D** Bracket-to-tube gap: 0.75 in (19 mm)
- E** Minimum headrail depth: 2.50 in (64 mm)
- F** Bracket depth: 1.50 in (38 mm)
- G** Bracket height: 1.90 in (48 mm)
- H** Tube-to-headrail clearance: 0.553 in (14 mm)
- I** Tube diameter: 1.67 in (42 mm)



Roller 100 and Roller 150



- A** Bracket-to-bracket width
Min. 24 in (610 mm)
Max. 145.25 in (3689 mm)
- B** Tube width
- C** Min. headrail-end to bracket clearance: 0.125 in (3 mm)
- D** Bracket-to-tube gap: 0.625 in (16 mm)
- E** Minimum headrail depth: 4.50 in (114 mm)
- F** Bracket depth: 3.125 in (79 mm)
- G** Bracket height: 3.50 in (89 mm)
- H** Tube-to-headrail clearance: 0.72 in (18 mm)
- I** Tube diameter: 2.56 in (65 mm)



Job Name:	Model Numbers:
Job Number:	

Electronic Drive Unit (EDU) Selection

1 Identify the Lift System

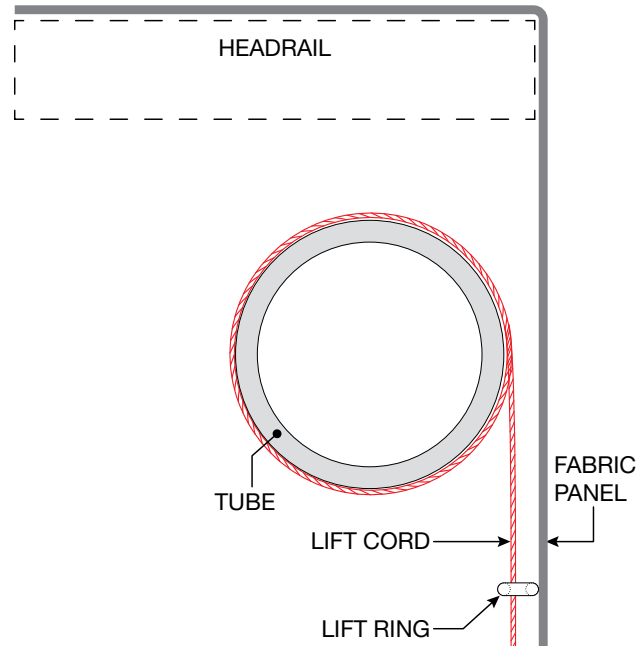
NOTE: For simplicity, the diagrams and examples that follow show and refer to shade designs which employ basic lift cords. The principles, measurements, and tables presented apply equally to all other lift operating systems, including shrouded cords, bands, tapes, etc.

DIRECT LIFT:

Eye screws are not used.

Lift cords pass through the uppermost lift rings attached to the fabric panel, then wrap directly onto the shade tube.

If your shade construction will be **DIRECT LIFT**, follow the steps in Section 2, starting on page 4.

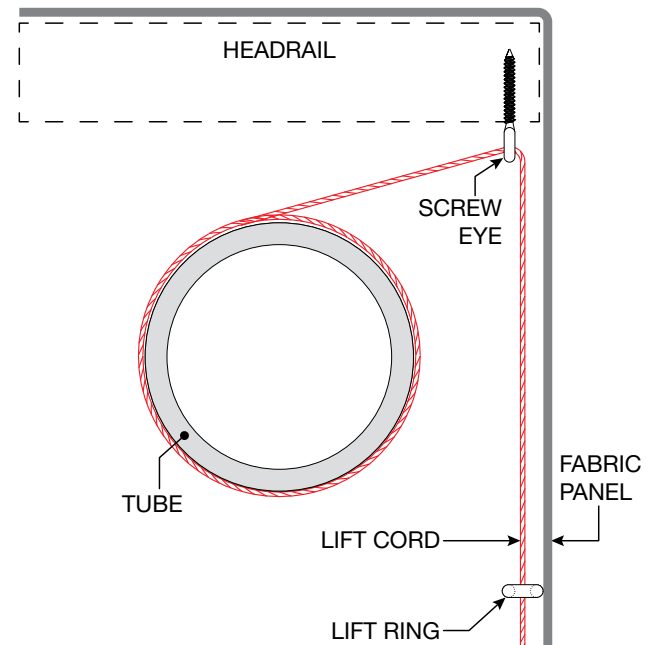


INDIRECT LIFT:

Eye screws are used.

Lift cords pass through the uppermost lift rings attached to the fabric panel, then through an eye screw or other guide attached to the headrail before wrapping onto the shade tube.

If your shade construction will be **INDIRECT LIFT**, skip Section 2, and follow the steps in Section 3, starting on page 6.



Job Name:

Model Numbers:

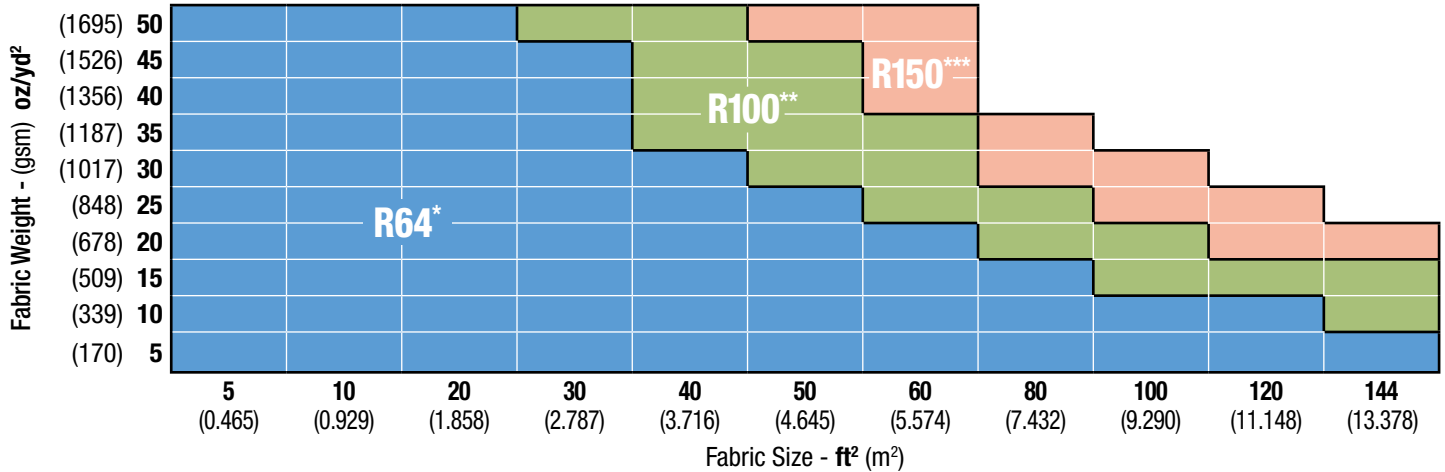
Job Number:

EDU Selection *(continued)*

2A Direct-Lift: Initial EDU Selection

Use the graph in Figure 2a below to make an **initial** drive selection based on fabric alone. Then, follow the subsequent corresponding section as directed to make your **final** drive selection based on maximum allowable combined lift weight (direct lift of fabric + components).

Figure 2a - Approximate Fabric Capacity, No Eye Screw (Direct Lift)



* If you selected **R64** above, proceed to **Section 2b** below, or, choose **R100** if your bracket-to bracket width is greater than 109.5 in (2781 mm)

** If you selected **R100** above, proceed to **Section 2c** on page 5

*** If you selected **R150** above, proceed to **Section 2d** on page 5

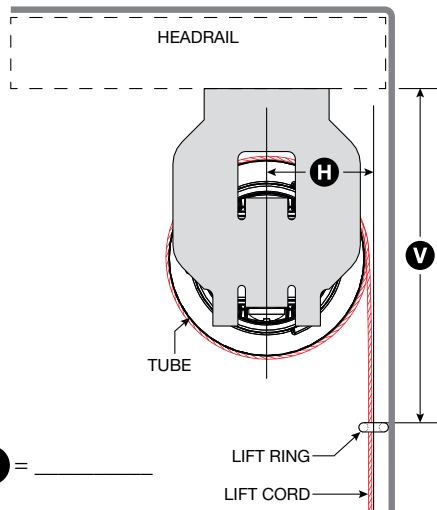
2B Roller 64/Direct-Lift: Verify Maximum Allowable Combined Lift Weight

2b.1 Measure and record the dimensions labeled H and V.

DIRECT LIFT:

Eye screws are not used.

- H** is the *horizontal* distance from the center of the tube to the first lift ring eye.
- V** is the *vertical* distance between the headrail and the point where the lift cord touches the first lift ring.



H = _____ **V** = _____

EXAMPLE: **H** = 1.4 in (35.5 mm) **V** = 1.9 in (48.3 mm)

2b.2 Look up maximum allowable combined lift weight in the table below. (Example measurements are highlighted.)

NOTE: Combined lift weight includes all components to be lifted by the drive; lift rings, lift cords, bands, battens, hembar, etc.

Inches / Pounds			Millimeters / Kilograms		
V (inches)	H (inches)		H (mm)		V (mm)
	0.75-1.00	1.01-1.50	19.0-25.4	25.5-38.1	
1.26-1.50	9.2 lb	8.8 lb	31.8-38.1	4.17 kg	3.99 kg
1.51-2.00	9.6 lb	9.1 lb	38.2-50.8	4.35 kg	4.13 kg
2.01-2.50	10.2 lb	9.7 lb	50.9-63.5	4.63 kg	4.40 kg
2.51-3.00	10.6 lb	10.1 lb	63.6-76.2	4.81 kg	4.58 kg
3.01-4.00	10.9 lb	10.4 lb	76.3-101.6	4.94 kg	4.72 kg
4.01-5.50	11.4 lb	10.9 lb	101.7-139.7	5.17 kg	4.94 kg
5.51 +	11.7 lb	11.4 lb	139.8 +	5.31 kg	5.17 kg

NOTE: If your combined lift weight is heavier than the highest weight shown, select the **Roller 100** EDU.

Job Name:	Model Numbers:
Job Number:	

EDU Selection *(continued)*

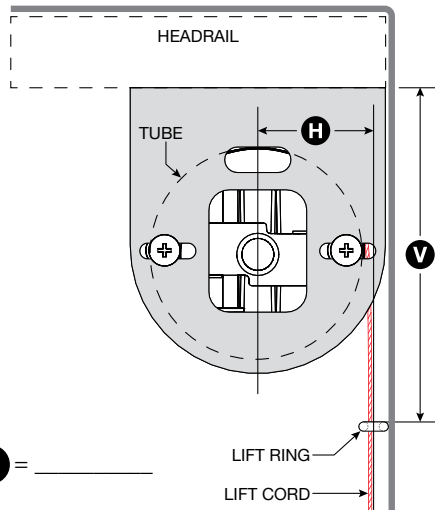
2C Roller 100/Direct-Lift: Verify Maximum Allowable Combined Lift Weight

2c.1 Measure and record the dimensions labeled H and V.

DIRECT LIFT:

Eye screws are not used.

- H** is the *horizontal* distance from the center of the tube to the first lift ring eye.
- V** is the *vertical* distance between the headrail and the point where the lift cord touches the first lift ring.



H = _____ **V** = _____

EXAMPLE: **H** = 2.00 in (50.8 mm) **V** = 4.5 in (114 mm)

2c.2 Look up maximum allowable combined lift weight in the table below. (Example measurements are highlighted.)

NOTE: Combined lift weight includes all components to be lifted by the drive; lift rings, lift cords, bands, battens, hembar, etc.

Inches / Pounds			Millimeters / Kilograms		
V (inches)	H (inches)		H (mm)		V (mm)
	1.25-1.50	1.51-2.00	31.75-38.1	38.2-50.8	
1.51-2.00	14.1 lb	13.8 lb	38.2-50.8	6.53 kg	6.26 kg
2.01-2.50	14.9 lb	14.5 lb	50.9-63.5	6.76 kg	6.58 kg
2.51-3.00	15.6 lb	15.1 lb	63.6-76.2	7.08 kg	6.85 kg
3.01-4.00	16.2 lb	15.6 lb	76.3-101.6	7.35 kg	7.08 kg
4.01-5.50	17.1 lb	16.5 lb	101.7-139.7	7.76 kg	7.48 kg
5.51 +	17.9 lb	17.4 lb	139.8 +	8.12 kg	7.89 kg

NOTE: If your combined lift weight is heavier than the highest weight shown, select the **Roller 150** EDU.

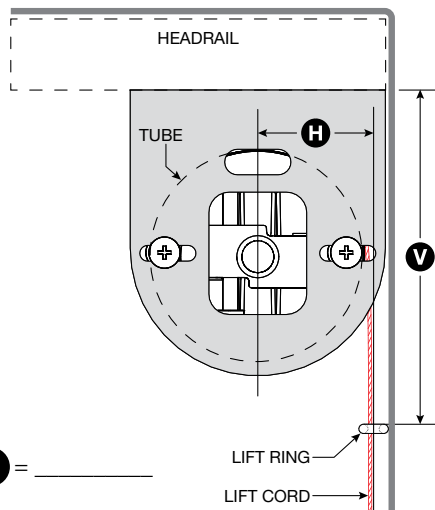
2D Roller 150/Direct-Lift: Verify Maximum Allowable Combined Lift Weight

2d.1 Measure and record the dimensions labeled H and V.

DIRECT LIFT:

Eye screws are not used.

- H** is the *horizontal* distance from the center of the tube to the first lift ring eye.
- V** is the *vertical* distance between the headrail and the point where the lift cord touches the first lift ring.



H = _____ **V** = _____

EXAMPLE: **H** = 2.00 in (50.8 mm) **V** = 4.5 in (114 mm)

2d.2 Look up maximum allowable combined lift weight in the table below. (Example measurements are highlighted.)

NOTE: Combined lift weight includes all components to be lifted by the drive; lift rings, lift cords, bands, battens, hembar, etc.

Inches / Pounds			Millimeters / Kilograms		
V (inches)	H (inches)		H (mm)		V (mm)
	1.25-1.50	1.51-2.00	31.75-38.1	38.2-50.8	
1.51-2.00	18.5 lb	18.1 lb	38.2-50.8	8.39 kg	8.21 kg
2.01-2.50	19.6 lb	19.0 lb	50.9-63.5	8.89 kg	8.62 kg
2.51-3.00	20.5 lb	19.9 lb	63.6-76.2	9.30 kg	9.03 kg
3.01-4.00	21.3 lb	20.6 lb	76.3-101.6	9.66 kg	9.34 kg
4.01-5.50	22.4 lb	21.7 lb	101.7-139.7	10.16 kg	9.84 kg
5.51 +	23.5 lb	22.8 lb	139.8 +	10.66 kg	10.34 kg

NOTE: If your combined lift weight is heavier than the highest weight shown, you must reduce it to use the **Roller 150** EDU.

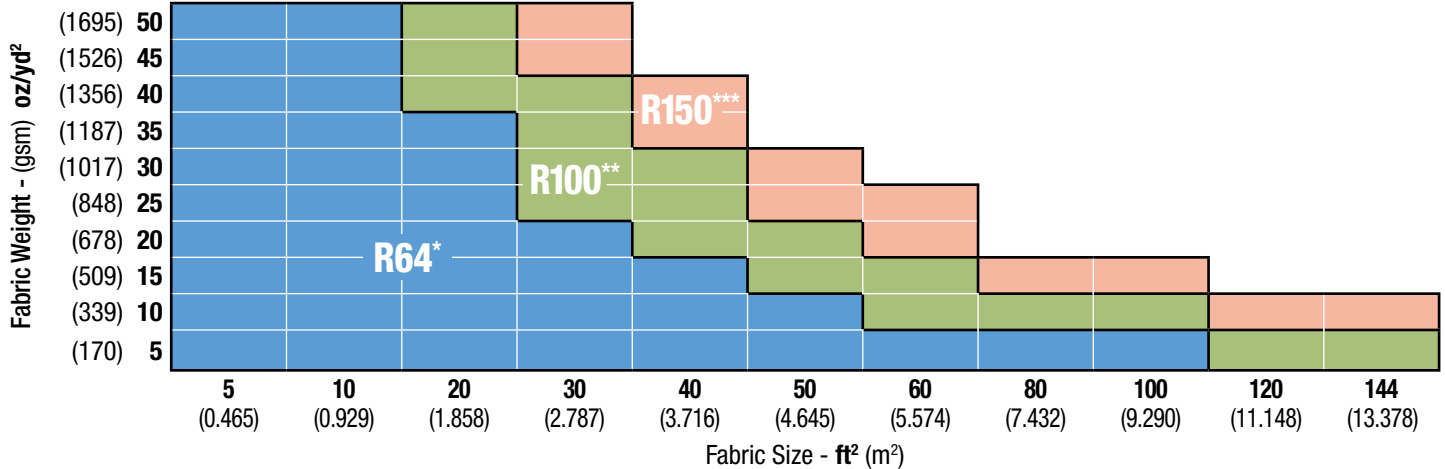
Job Name:	Model Numbers:
Job Number:	

EDU Selection *(continued)*

3A Indirect-Lift: Initial EDU Selection

Use the graph in Figure 2a below to make an **initial** drive selection based on fabric alone. Then, follow the subsequent corresponding section as directed to make your **final** drive selection based on maximum allowable combined lift weight (indirect lift of fabric + components).

Figure 3a - Approximate Fabric Capacity, using Eye Screw (Indirect Lift)



* If you selected **R64** above, proceed to **Section 3b** below, or, choose **R100** if your bracket-to bracket width is greater than 109.5 in (2781 mm)

** If you selected **R100** above, proceed to **Section 3c** on page 7

*** If you selected **R150** above, proceed to **Section 3d** on page 7

3B Roller 64/Indirect-Lift: Verify Maximum Allowable Combined Lift Weight

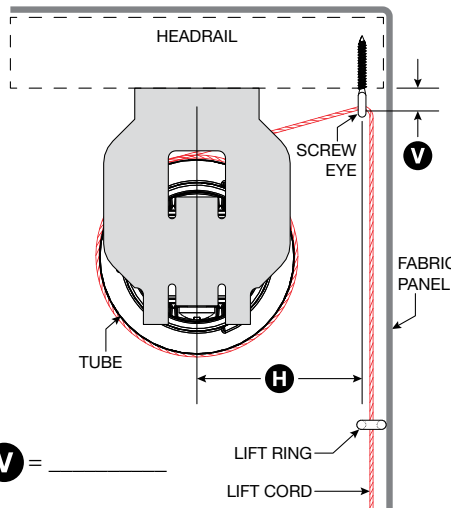
3b.1 Measure and record the dimensions labeled H and V.

INDIRECT LIFT:

Eye screws are used.

H is the horizontal distance from the center of the tube to the screw eye.

V is the vertical distance between the headrail and the point where the lift cord touches the screw eye.



H = _____ **V** = _____

EXAMPLE: **H** = 1.25 in (31.8 mm) **V** = 0.375 in (9.5 mm)

3b.2 Look up maximum allowable combined lift weight in the table below. (Example measurements are highlighted.)

NOTE: Combined lift weight includes all components to be lifted by the drive; lift rings, lift cords, bands, battens, hembar, etc.

		Inches / Pounds					
		H (inches)					
		0.75-1.00	1.01-1.50	1.51-2.00	2.01-3.00	3.01-4.00	4.01 +
V (inches)	0.00-0.25	6.5	7.0	7.2	7.4	7.5	7.6
	0.26-0.50	7.1	7.4	7.5	7.6	7.7	7.7
	0.51-0.75	7.7	7.8	7.8	7.8	7.8	7.8

		Millimeters / Kilograms					
		H (mm)					
		19.0-25.4	25.5-38.1	38.2-50.8	50.9-76.2	76.3-101.6	101.7 +
V (mm)	0.00-6.35	2.95	3.18	3.27	3.36	3.40	3.45
	6.40-12.7	3.22	3.36	3.40	3.45	3.49	3.49
	12.8-19.0	3.49	3.54	3.54	3.54	3.54	3.54

NOTE: If your combined lift weight is heavier than the highest weight shown, select the **Roller 100** EDU.

Job Name:	Model Numbers:
Job Number:	

EDU Selection *(continued)*

3C Roller 100/Indirect-Lift: Verify Maximum Allowable Combined Lift Weight

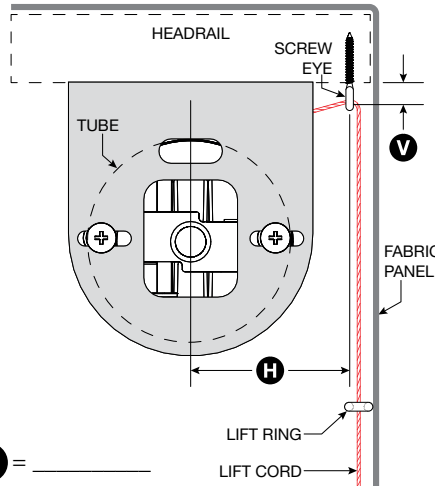
3c.1 Measure and record the dimensions labeled H and V.

INDIRECT LIFT:

Eye screws are used.

H is the *horizontal* distance from the center of the tube to the screw eye.

V is the *vertical* distance between the headrail and the point where the lift cord touches the screw eye.



H = _____ **V** = _____

EXAMPLE: **H** = 2.00 in (50.8 mm) **V** = 0.375 in (9.5 mm)

3c.2 Look up maximum allowable combined lift weight in the table below. (Example measurements are highlighted.)

NOTE: Combined lift weight includes all components to be lifted by the drive; lift rings, lift cords, bands, battens, hembar, etc.

Inches / Pounds

		H (inches)					
		1.25-1.50	1.51-2.00	2.01-2.50	2.51-3.00	3.01-4.00	4.01 +
V (inches)	0.00-0.25	10.6	11.1	11.4	11.5	11.8	12.0
	0.26-0.50	11.2	11.5	11.7	11.9	12.0	12.1
	0.51-0.75	11.9	12.0	12.1	12.2	12.2	12.3

Millimeters / Kilograms

		H (mm)					
		31.75-38.1	38.2-50.8	50.9-63.5	63.6-76.2	76.3-101.6	101.7 +
V (mm)	0.00-6.35	4.81	5.03	5.17	5.22	5.35	5.44
	6.40-12.7	5.08	5.22	5.31	5.40	5.44	5.49
	12.8-19.0	5.40	5.44	5.49	5.53	5.53	5.58

NOTE: If your combined lift weight is heavier than the highest weight shown, select the **Roller 150** EDU.

3D Roller 150/Indirect-Lift: Verify Maximum Allowable Combined Lift Weight

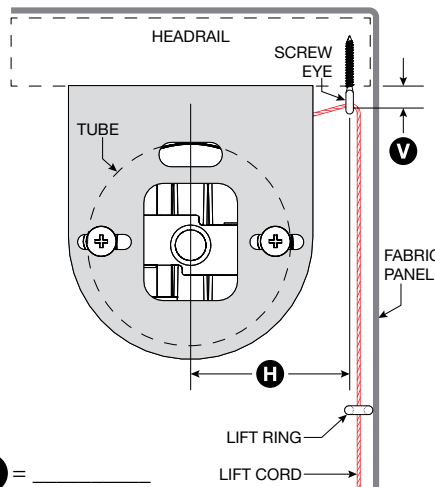
3d.1 Measure and record the dimensions labeled H and V.

INDIRECT LIFT:

Eye screws are used.

H is the *horizontal* distance from the center of the tube to the screw eye.

V is the *vertical* distance between the headrail and the point where the lift cord touches the screw eye.



H = _____ **V** = _____

EXAMPLE: **H** = 2.00 in (50.8 mm) **V** = 0.375 in (9.5 mm)

3d.2 Look up maximum allowable combined lift weight in the table below. (Example measurements are highlighted.)

NOTE: Combined lift weight includes all components to be lifted by the drive; lift rings, lift cords, bands, battens, hembar, etc.

Inches / Pounds

		H (inches)					
		1.25-1.50	1.51-2.00	2.01-2.50	2.51-3.00	3.01-4.00	4.01 +
V (inches)	0.00-0.25	13.9	14.5	14.9	15.2	15.5	15.8
	0.26-0.50	14.7	15.2	15.4	15.6	15.8	16.0
	0.51-0.75	15.6	15.8	15.9	16.0	16.1	16.2

Millimeters / Kilograms

		H (mm)					
		31.75-38.1	38.2-50.8	50.9-63.5	63.6-76.2	76.3-101.6	101.7 +
V (mm)	0.00-6.35	6.30	6.58	6.76	6.89	7.03	7.17
	6.40-12.7	6.67	6.89	6.99	7.08	7.17	7.26
	12.8-19.0	7.08	7.17	7.21	7.26	7.30	7.35

NOTE: If your combined lift weight is heavier than the highest weight shown, you must reduce it to use the **Roller 150** EDU.

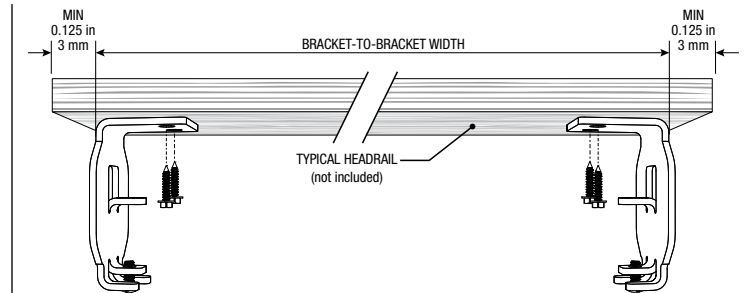
Job Name:	Model Numbers:
Job Number:	

Mounting to a Headrail

Roman Roller 64 Kit

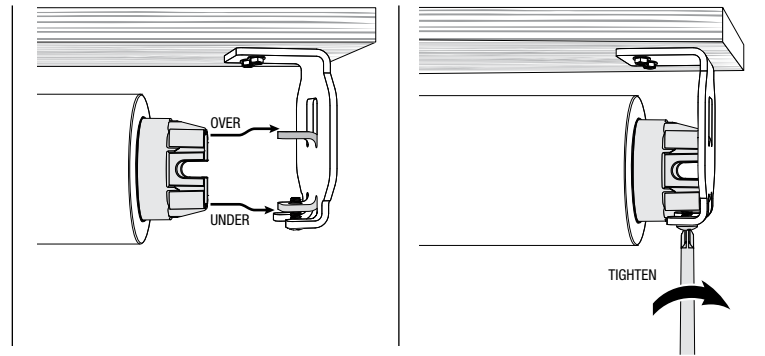
1 Mount the Brackets

- Locate the brackets on the underside of the headrail, bracket-to-bracket width apart.
- Fasten each bracket using (2) mounting screws provided.



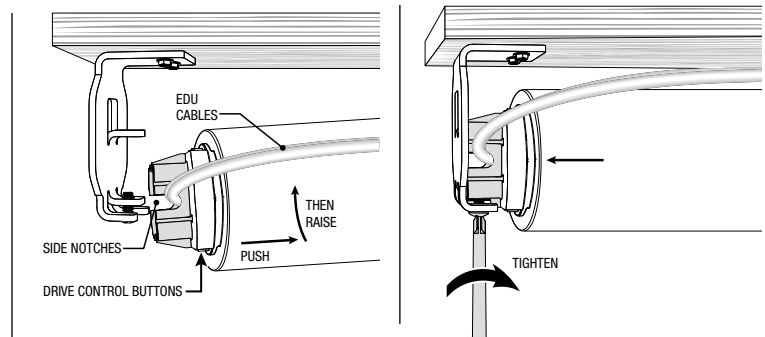
2 Install the Shade Tube; Idler End

- Locate the idler mounting yolk over / under the mounting tabs on the bracket as shown.
- Tighten the securing screw.



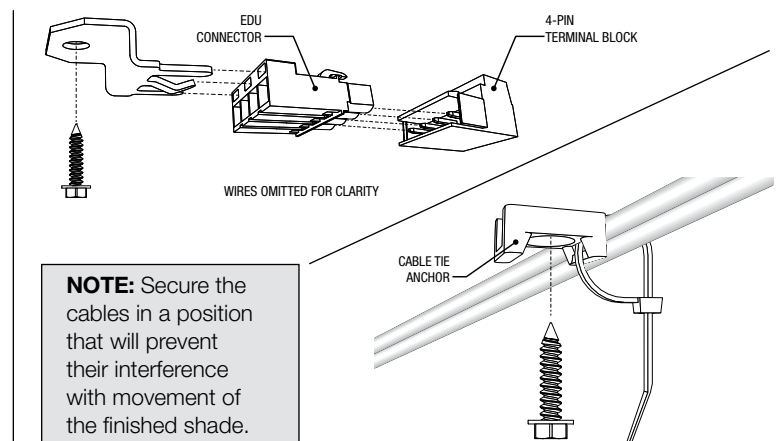
3 Install the Shade Tube; Drive End

- Orient the EDU mounting yolk so that the drive control buttons face downward, and route the EDU cables through one of the side notches.
- The idler is spring-loaded so you can push the tube toward it to gain clearance at the drive end. Locate the drive mounting yolk over / under the mounting tabs on the bracket as shown.
- Tighten the securing screw.



4 Connect and Secure the EDU Cables

- Wire the 4-Pin Terminal Block provided, following the instructions in Sivoia® QS Basic Wiring & Setup; [P/N 045520](#)
- Connect the EDU Connector to the 4-Pin Terminal Block, and secure the connectors to the headrail as shown using the Wire Management Bracket provided.
- Install and connect a wireless receiver, if applicable, following the instructions in Sivoia® QS Wireless Receiver; [P/N 045515](#)
- Secure the cables to the headrail using the Cable Tie and Cable Tie Anchor provided.



Job Name:

Model Numbers:

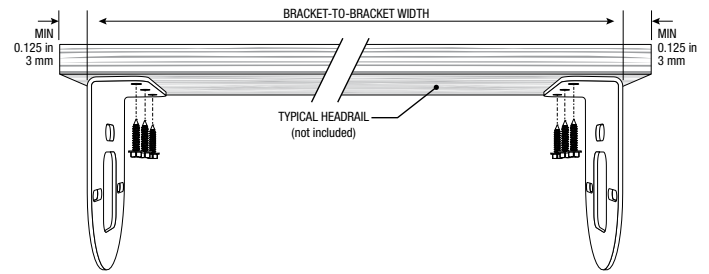
Job Number:

Mounting to a Headrail

Roman Roller 100 and Roman Roller 150 Kits

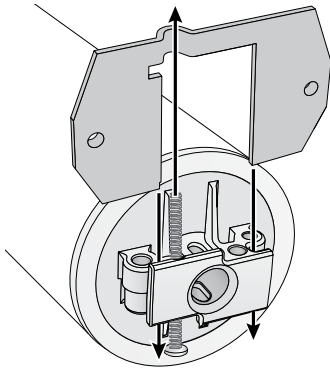
1 Mount the Brackets

- Locate the brackets on the underside of the headrail, bracket-to-bracket width apart.
- Fasten each bracket using (3) mounting screws provided.

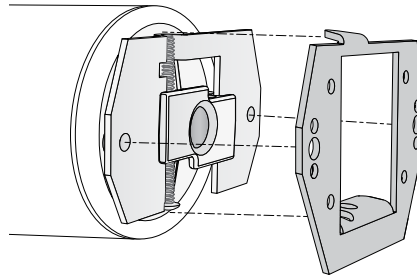


2 Assemble the Adjustable Idler Brackets

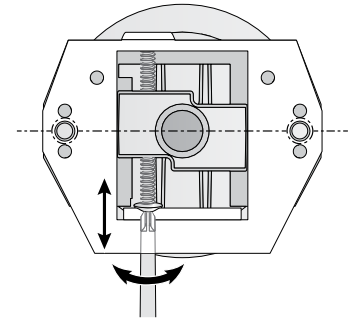
- With the idler adjusting screw head pointed downward, slide the idler-adjust bracket behind the screw and the idler's tabs as shown.



- Position the idler-support bracket as shown and slide it over and under the idler adjusting screw.

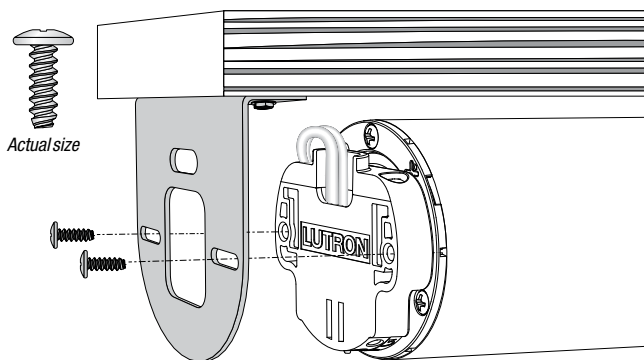


- If necessary, use a screwdriver to turn the idler adjusting screw until the mounting holes in the idler-adjust and idler-support brackets align as shown.



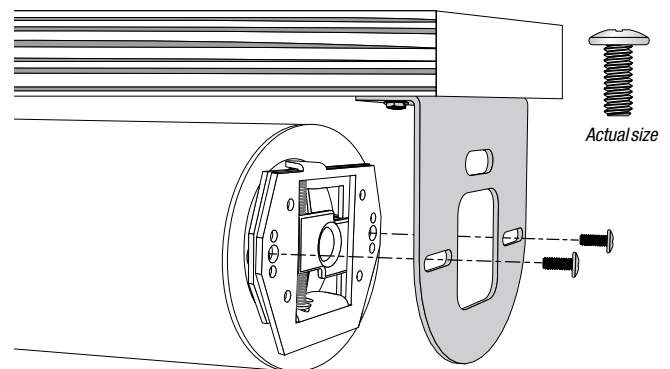
3 Install the Shade Tube

- Attach the drive end of the shade to the bracket using (2) coarse-thread EDU mounting screws provided.



Torque: 12 in-lb \pm 1 in-lb
(1,36 N•m \pm 0.11 N•m)

- Attach the idler end of the shade to the bracket using (2) fine-thread idler mounting screws provided.



Torque: 17 in-lb \pm 1 in-lb
(1,92 N•m \pm 0.11 N•m)

Job Name:

Model Numbers:

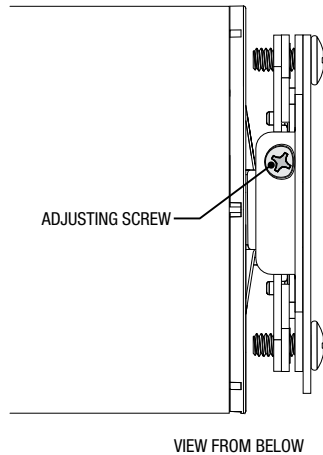
Job Number:

Mounting to a Headrail

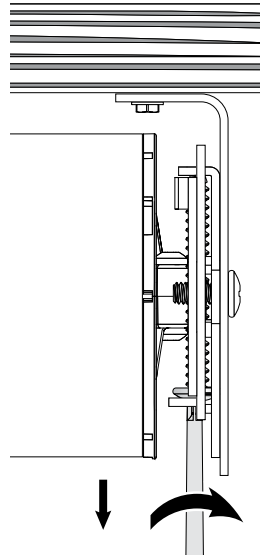
Roman Roller 100 and Roman Roller 150 Kits (continued)

4 Level the Shade Tube

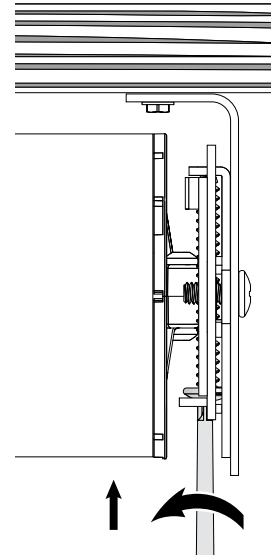
Use a bubble level to verify that the shade tube is level, and adjust, if necessary, using the idler adjusting screw.



Turn the idler adjusting screw clockwise to lower the idler end of the shade tube.

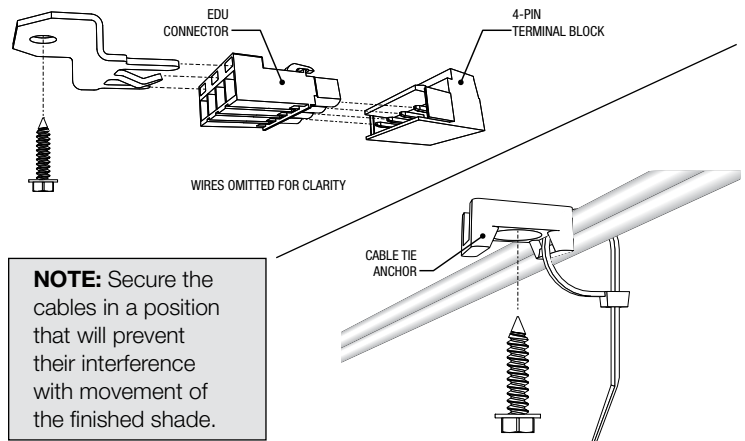


Turn the idler adjusting screw counter-clockwise to raise the idler end of the shade tube.



5 Connect and Secure the EDU Cables

- Wire the 4-Pin Terminal Block provided, following the instructions in Sivoia® QS Basic Wiring & Setup; [P/N 045520](#)
- Connect the EDU Connector to the 4-Pin Terminal Block, and secure the connectors to the headrail as shown using the Wire Management Bracket provided.
- Install and connect a wireless receiver, if applicable, following the instructions in Sivoia® QS Wireless Receiver; [P/N 045515](#)
- Secure the cables to the headrail using the Cable Tie and Cable Tie Anchor provided.



Job Name:

Model Numbers:

Job Number: