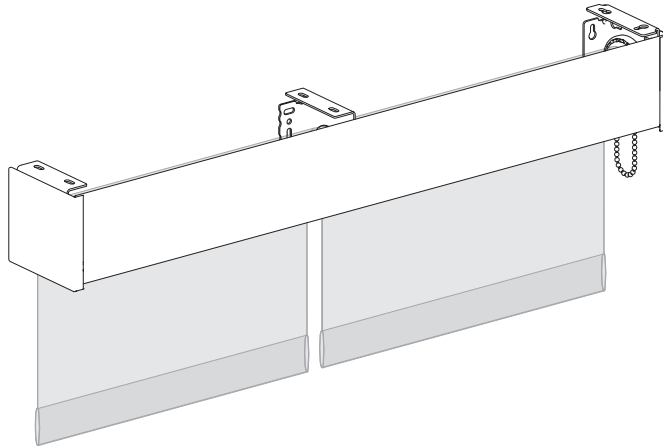
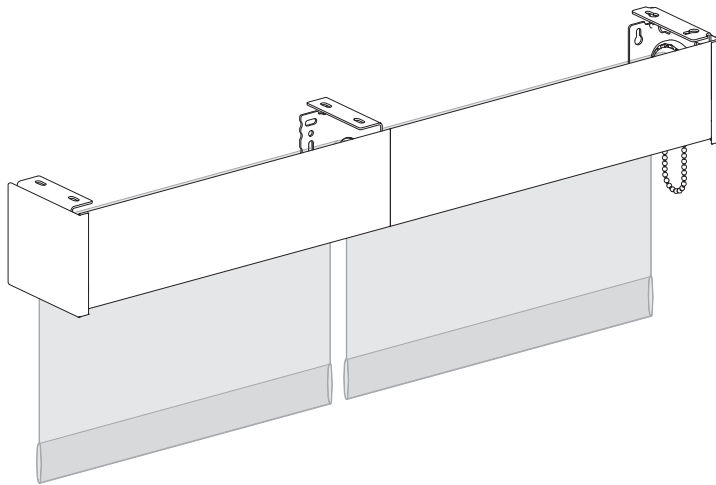


TWO SHADES WITH ONE 4" FASCIA

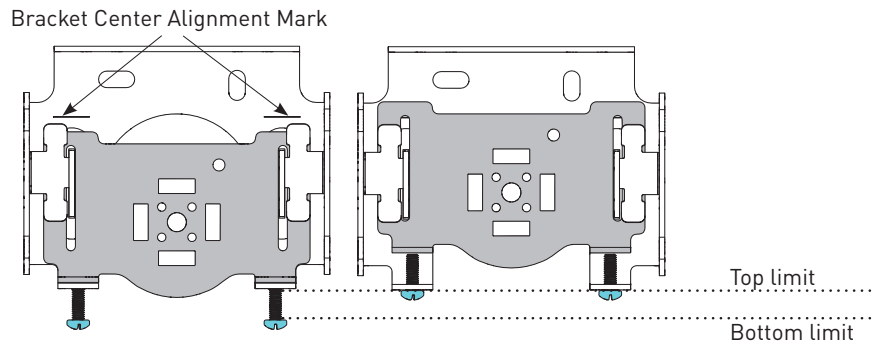


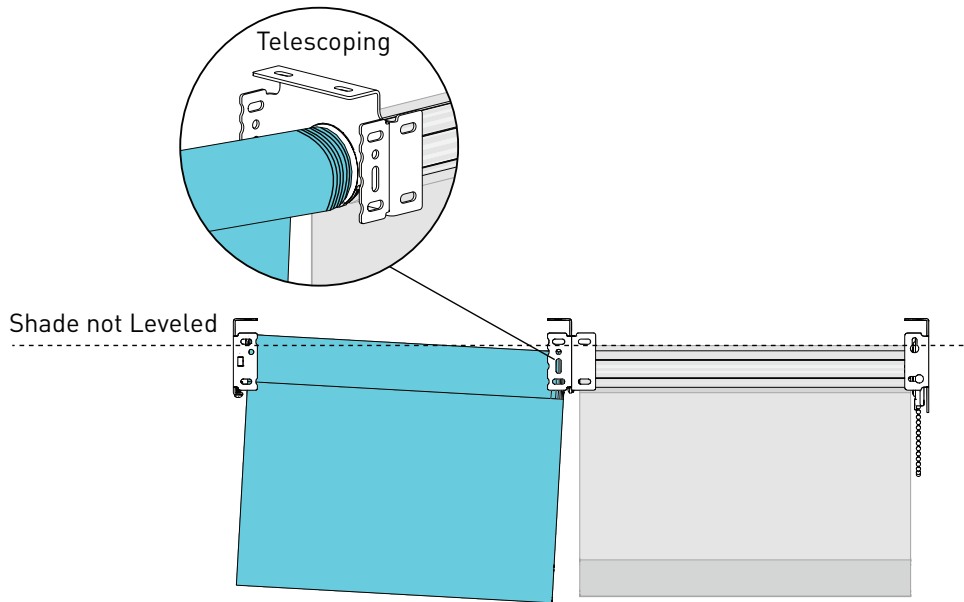
TWO SHADES WITH TWO 4" FASCIA



4" ADJUSTABLE BRACKETS - SHADE TELESCOPING PREVENTION

Telescoping is when the shade gathers to one side or the other as it is rolled up. This is typically a leveling problem, however; it can be solved by adjusting the shade level using the 4" Adjustable Brackets.





Adjustment of the bracket is needed when the window has not been framed correctly or the structure settles. This can lead to uneven light gaps on the side or telescoping.

Adjust the position of blind by rotating the screws of the 4" Adjustable bracket. Ensure the Shade is leveled properly.

