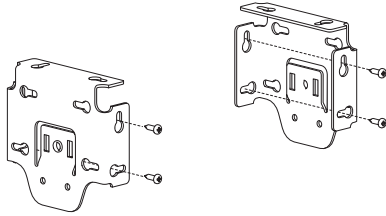
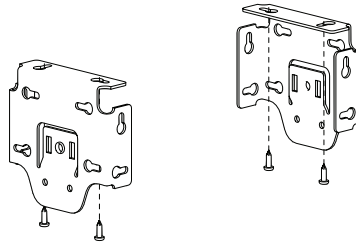


## 4" FASCIA - SKYLINE

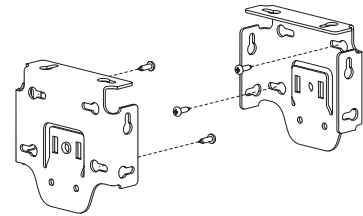
Wall Mount



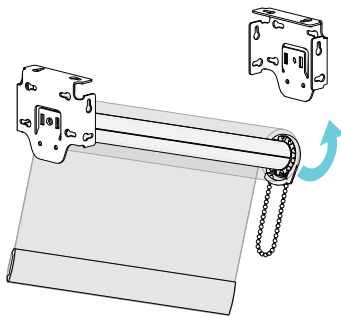
Ceiling Mount



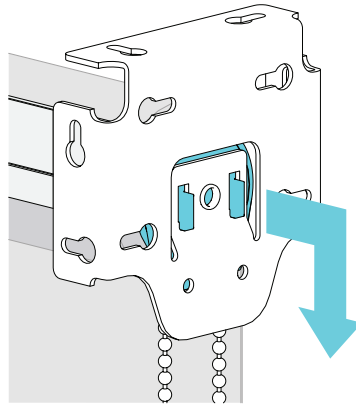
Inside Mount



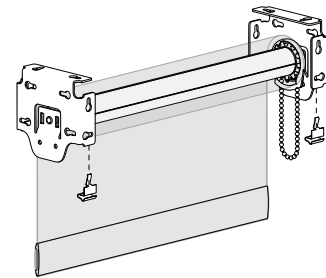
Compress Idler, swing assembly to bracket



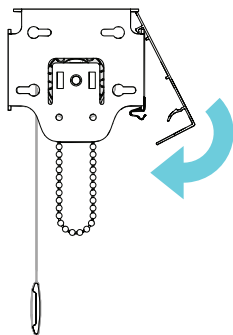
Ensure Clutch Hooks engage Bracket



Attach Bracket Clip



Attach Fascia Cover. Swing from top



Attach Bracket Covers

