

Glydea® ULTRA Zigbee



+ Zigbee (2-Way) Module
for Glydea® ULTRA Motors
Item #: 9000043

The Glydea ULTRA Zigbee is a premium solution for high-end commercial/hospitality and residential applications providing ultra-quiet, reliable performance. The control module in the Glydea ULTRA allows for Zigbee 3.0 bi-directional communication.



TaHoma® pro app

Scan a unique motor QR code and follow a simple, step-by-step process to configure motor settings and end limits to save time.



Android

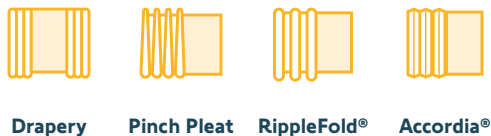


Android



iOS

Compatible end-products




Main functionalities



Designed for silence



Soft start and Soft stop




Touch motion



"my" function



Automatic, adjustable end limits




Manual override



Adjustable speed



Position feedback



Quick & easy settings



Openness of the Zigbee protocol




Mesh network router



Works with Apple Home

Benefits for professionals

- Convenience**
- Zigbee control via integrated control module
 - Maintenance-free
- Easy installation and programming with TaHoma® pro**
- 
- Installation and programming done directly from the app: intuitive step-by-step programming instructions
 - Integrated button on the motor allows for leaving the network and full reset
 - Dedicated maintenance tool, Serv-e-Go®
 - Acts as a Zigbee® mesh network router to extend radio range
- Reliability and services**
- Highly secure protocol
 - Somfy quality & warranty

Benefits for end users

- Daily comfort and convenience**
- Quiet operation via "silent mode" function.
 - Precision motion with soft start & soft stop
 - Manage natural light and privacy via timed schedules and scenes
 - Easy to use
- Aesthetic integration**
- Superior track design provides discreet look, adaptable to all types of room decor
 - Unique cable management provides easy access to power outlets
- Easy to use**
- Easily control draperies with the TaHoma® app
 - Get real time feedback on drapery positioning status via a smartphone or tablet
- Built-in manual override enables use of drapery without power
 - Special touch-motion control eliminates damage to drapery fabric
- Go hands free with voice control**
- Compatible with voice control assistants (with TaHoma® switch and Amazon Alexa, Google Home, or Apple Home)
- Safety and reliability**
- Somfy quality and warranty



Quality Wholesale Window Coverings
Contract • Hospitality • Healthcare • Residential
ph 866-753-1113 email customerservice@porterpreston.com www.porterpreston.com

Glydea® ULTRA Zigbee



Glydea® ULTRA 35 Zigbee

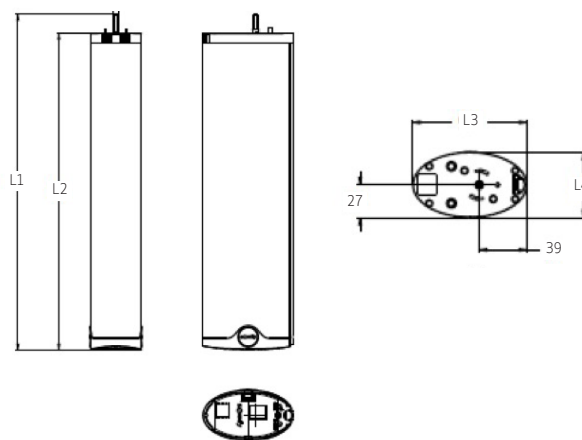
Item #: 1246115 Glydea® ULTRA 35 Motor DCT with 10' Plug
Item #: 9000043 Zigbee (2-Way) Module for Glydea® ULTRA Motors

Glydea® ULTRA 60 Zigbee

Item #: 1246117 Glydea® ULTRA 60 Motor DCT with 10' Plug
Item #: 9000043 Zigbee (2-Way) Module for Glydea® ULTRA Motors

Technical data	Glydea ULTRA 35	Glydea ULTRA 60
Voltage Supply	90V to 250V – 50/60Hz	
Rated Current	.8A	
IP Code	IP 30	
Working Temperature	0°C to 60°C	
Insulation Class	Class I	

Dimensions	Glydea ULTRA 35	Glydea ULTRA 60
L1	348mm	
L2	328mm	
L3	93mm	
L4	53mm	



Performances	Glydea ULTRA 35	Glydea ULTRA 60
Nominal Torque	0.6 Nm	1.0 Nm
Speed/Mode Option	Silent: 2.95 in/s (7.5cm/s) Standard: 4.95 in/s to 7.86 in/s (12.5cm/s to 20cm/s)	
Sound Level	38 dBA in silent mode	
Loading	35kg	60kg
Track Length	32 ft. (10m)	36 ft. (12m)
Radio Protocol	Zigbee 3.0 / Bluetooth 4.2	
Radio Frequency	2.4 GHz	

Certifications



somfy® A BRAND OF **SOMFY** GROUP