

# CONTRACT SERIES ONE

## Medium Open Dual Roller Shade

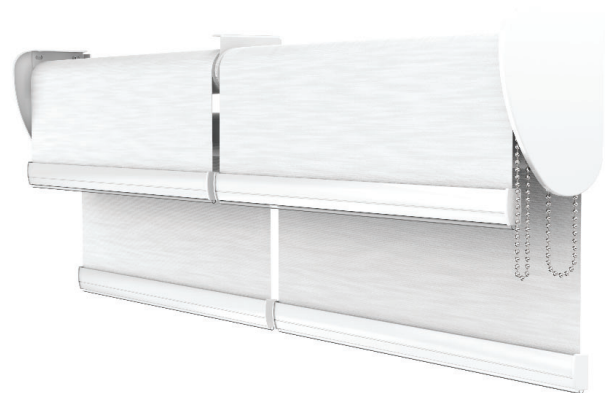
Line Voltage 120V AC Motorized Control



The precision engineered Rollease Acmeda Contract Medium Dual Open Roll system is a durable and robust combination of form and function in a sleek package. This precision engineered system, integrates a powerful, yet quiet motor, directly in the tubing of the roller which is powered through plug in transformer or hardwired by an EC with connector plug. With a max width of 120" (based on a 120" drop) up to 100 sqf. before linking options. Featuring minimal light gaps, this properly balanced precision system will last a lifetime with reduce service calls /issues. Significantly heavier and impressive shading systems require precision engineered, heavy duty hardware, that can support multiples of its own weight.

### Features:

- Max width of 16' (based on 18' drop). Capacity to cover areas up to 280 sqf. before linking.
- Linking options for single and dual shade configurations.
- Automate motor Ultra-quiet operation with ARC bi-directional communication; from 6NM to 50 NM motor options available.
- Accepts standard or reverse roll configurations for versatile and efficient installation.
- Optional Reverse Fascia / Top Back Cover for increased light control and to conceal hardware from street view.
- Heavy Duty "Silent Pin" Idler – 10mm steel locking idler with bronze steel bushing for silent operation and heavy duty security
- Brackets made from .06" thick powder coated steel with color matched covers.



Low Voc



NRC



LEED



HPD

Match this solution with any of our sunscreen, blackout or high performance fabrics for a complete finished solution. See our document library for comprehensive information including HPD, LEED & NRC specifications.

### BRACKET COLORS



white



vanilla



gray



bronze



black

### MOTOR OPTIONS

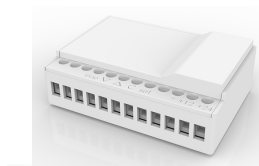
**Automate Wall Switches**  
[Hand held or wall mounts]



**Automate ARC Repeater**  
[Extends the ARC signal]



**ARC Relay Module**  
[Smart System Interface]



**Automate Pulse Hub**  
[Smart Phone Control]



**PORTER  
PRESTON**

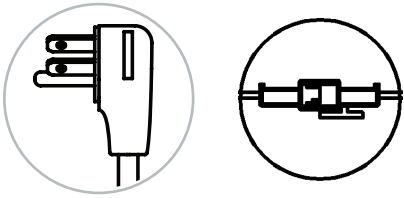
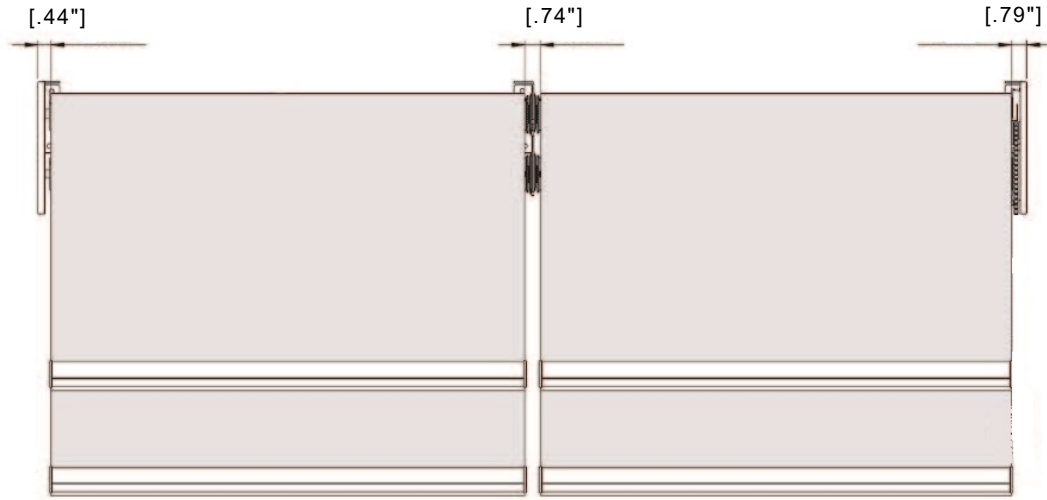
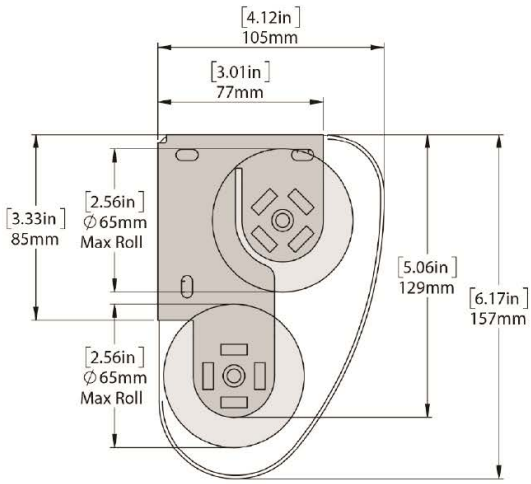
Quality Wholesale Window Coverings

Contract • Hospitality • Healthcare • Residential

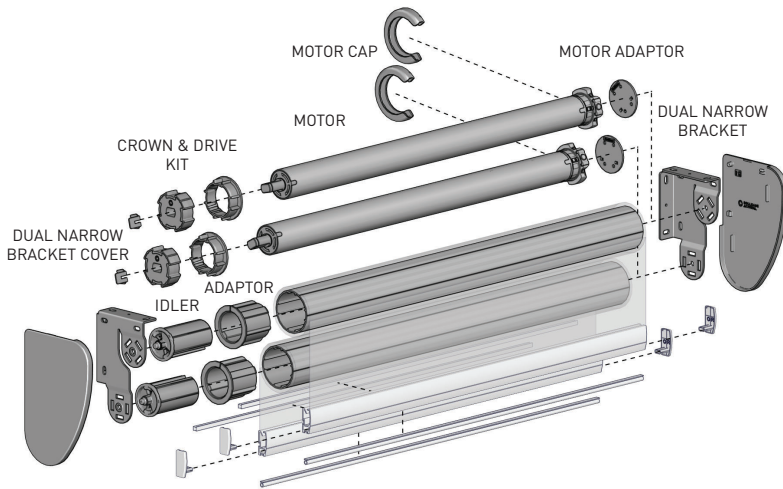
ph 203-753-1113 customerservice@porterpreston.com www.porterpreston.com

**ROLLEASE ACMEDA CONTRACT**

## FRONT & SIDE VIEW



## SCHEMATIC

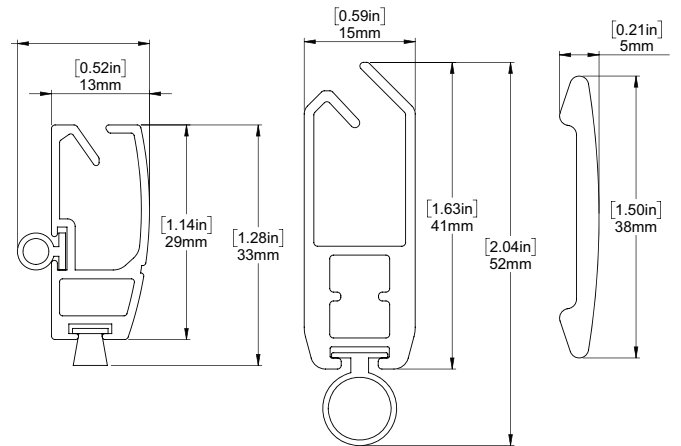


## BOTTOM RAIL OPTIONS

Sub heading

Sub heading

Sub heading



## SYSTEM UPGRADES

### 5" Pocket

[for hidden recess mounts]



### L & I Clips

[for hidden recess mounts]



### Edge Side Channels

[for improved light blackout]



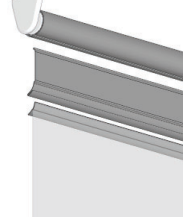
### Internal Wire Guide

[supporting complex shade systems]



### Fabric Switch System

[fast easy changing of fabric on a roller shade]



For more information about our Upgrade solutions, see our UPGRADE SPECIFICATION sheets.