

CONTRACT SERIES ONE

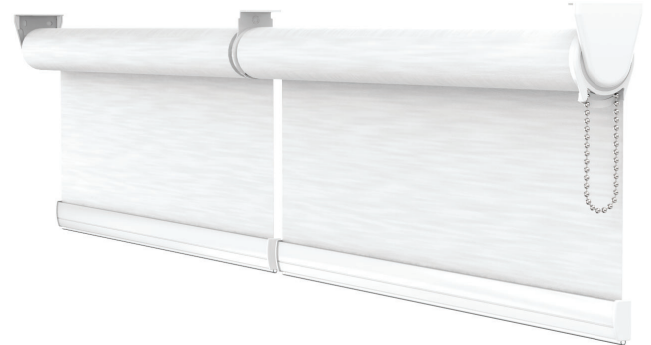
Medium Open Roller Shade
Line Voltage 120v AC Motorized Control



The precision engineered Rollease Acmeda Contract Medium Open Roll system is a durable and robust combination of form and function in a sleek package. This precision engineered system, integrates a powerful, yet quiet motor, directly in the tubing of the roller which is powered through plug in transformer or hardwired by an EC with connector plug. With a max width of 120" (based on a 120" drop) up to 100 sqf. before linking options. Featuring minimal light gaps, this properly balanced precision system will last a lifetime with reduced service calls /issues. Significantly heavier and impressive shading systems require precision engineered, heavy duty hardware, that can support multiples of its own weight.

Features:

- Max width of 16' (based on 18' drop). Capacity to cover areas up to 280 sqf. before linking.
- Linking options for single and dual shade configurations.
- Automate motor Ultra-quiet operation with ARC bi-directional communication; from 6NM to 50 NM motor options available.
- Accepts standard or reverse roll configurations for versatile and efficient installation.
- Optional Reverse Fascia / Top Back Cover for increased light control and to conceal hardware from street view.
- Heavy Duty "Silent Pin" Idler – 10mm steel locking idler with bronze steel bushing for silent operation and heavy duty security
- Brackets made from .06" thick powder coated steel with color matched covers.



Match this solution with any of our sunscreen, blockout or high performance fabrics for a complete finished solution. See our document library for comprehensive information including HPD, LEED & NRC specifications.

WIRED MOTOR OPTIONS

Automate Wall Switches
[Hand held or wall mounts]



Automate ARC Repeater
[Extends the ARC signal]



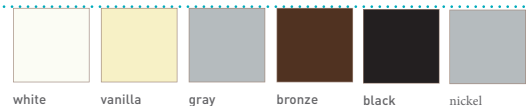
ARC Relay Module
[Smart System Interface]



Automate Pulse Hub
[Smart Phone Control]



BRACKET COLORS



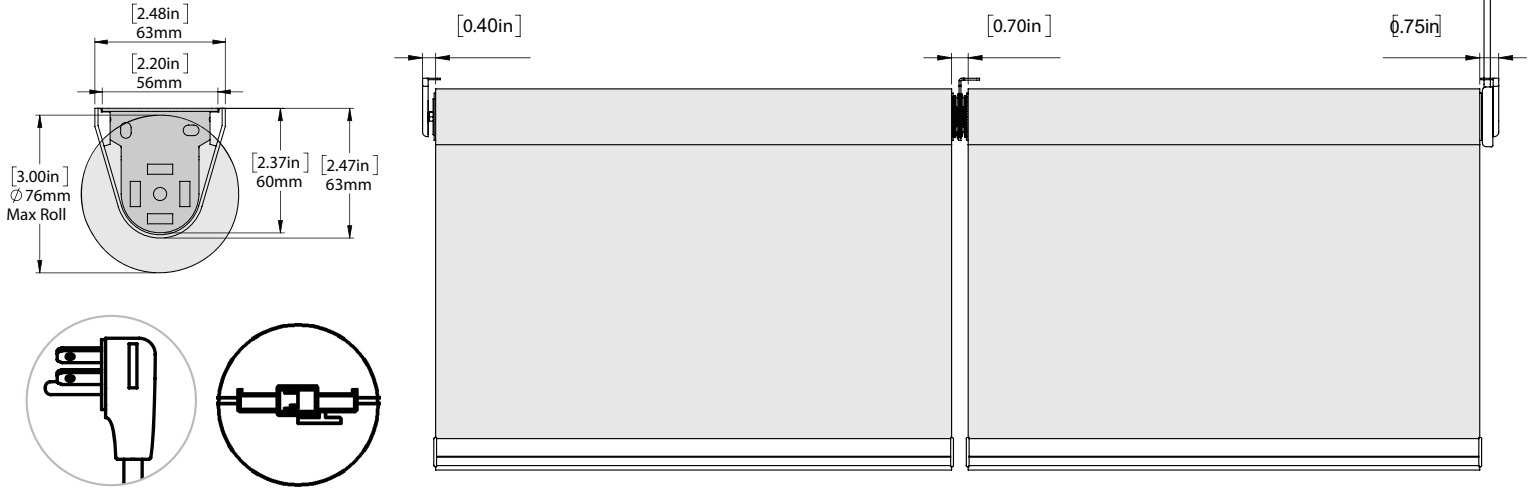
PORTER PRESTON

Quality Wholesale Window Coverings

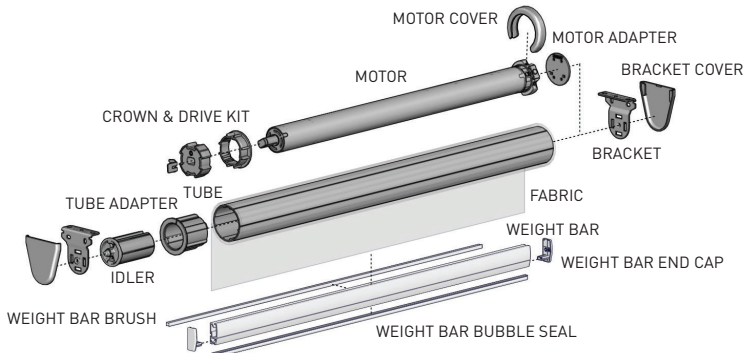
Contract • Hospitality • Healthcare • Residential

ph 203-753-1113 customerservice@porterpreston.com www.porterpreston.com

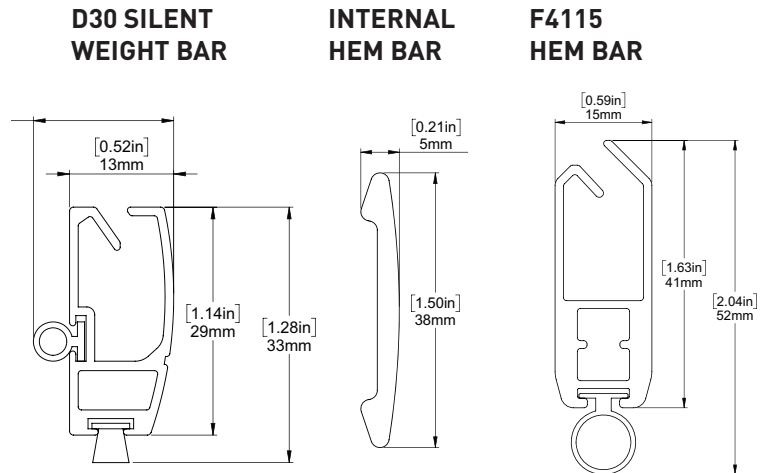
FRONT & SIDE VIEW



SCHEMATIC



BOTTOM RAIL OPTIONS



SYSTEM UPGRADES

5" Pocket
[for hidden recess mounts]



L & I Clips
[for hidden recess mounts]



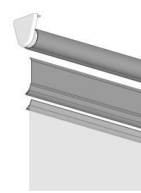
Edge Side Channels
[for improved light blackout]



Internal Wire Guide
[supporting complex shading systems]



Fabric Switch System
[fast easy changing of fabric on a roller shade]



For more information about our Upgrade solutions, see our UPGRADE SPECIFICATION sheets.