

# CONTRACT SERIES TWO

## LARGE OPEN ROLLER SHADE

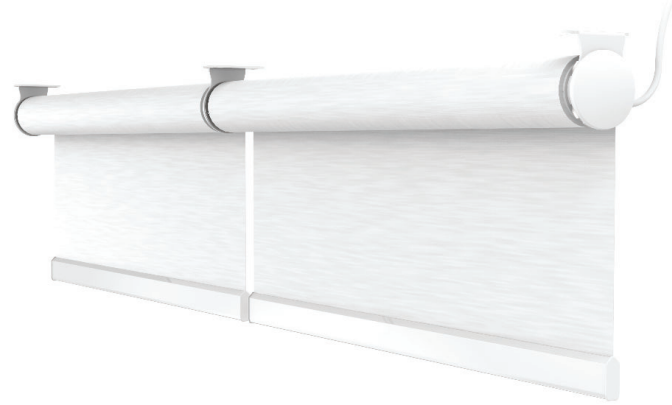
Line Voltage 120V AC Motorized Control



With the ability to achieve up to 18' widths and 24' drops, covering a maximum of 220 square feet before linking, the Contract Series Two Large Open Roll System consists of robust hardware, providing a solution for a large size shading system with a premium aesthetic impact on design and solar control. Significantly heavier and impressive shading systems require precision engineered, heavy duty hardware, that can support multiples of its own weight. Heavy duty steel brackets and locking idler and motor side features provide maximum security for larger applications. The heavy duty in line and angled linking systems allow up to 8 panels to be driven from one motor drive. The perfect solution for internal commercial applications; the Contract Series Two Large Open Roll system creates new opportunities to achieve larger, more impactful shades.

### Features:

- Maximum widths up to 18' and maximum drops to 20', with the ability to cover a maximum of 220 square feet before linking.
- Up to 8 panels can be linked and driven from one motor drive.
- Optional aluminum headbox with matching end plates for a premium finish
- Vertical adjustable brackets for easier and more accurate installation
- Locking bearing idler for added security.
- Driven by our Automate Line Voltage (120V) line of motors from 6 NM to 15 NM for large applications
- Powering options include plug in transformer or direct wiring from J box to Hershman connector plug
- ZipScreen premium guide track for additionally secure or non-traditional applications
- T-Tube Spline Option



Match this solution with any of our sunscre performance fabrics for a complete finish. See our document library for comprehensive information including HPD, LEED & NRC specifications.

### MOTOR OPTIONS

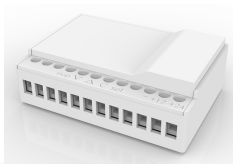
**Automate Wall Switches**  
[Hand held or wall mounts]



**Automate ARC Repeater**  
[Extends the ARC signal]



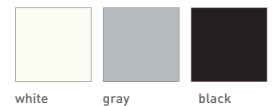
**ARC Relay Module**  
[Smart System Interface]



**Automate Pulse Hub**  
[Smart Phone Control]



### BRACKET COLORS



white      gray      black

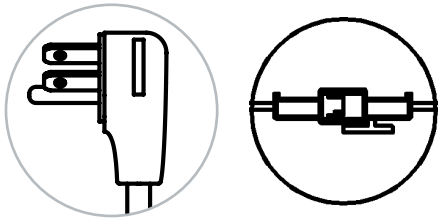
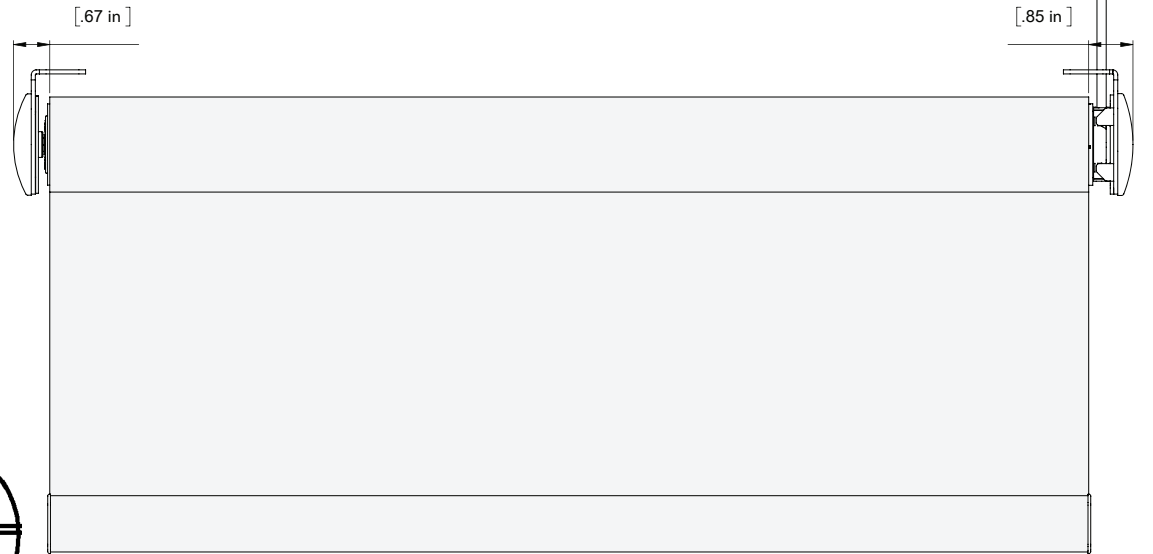
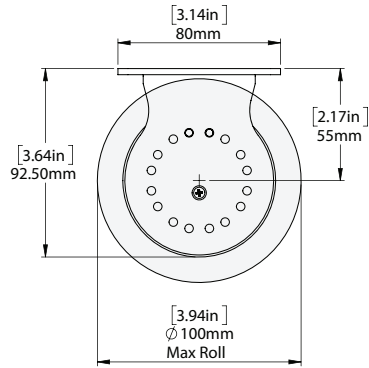
## FRONT & SIDE VIEW



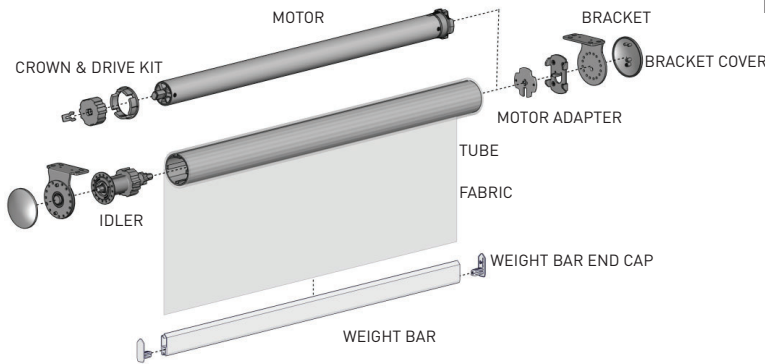
Quality Wholesale Window Coverings

Contract • Hospitality • Healthcare • Residential

ph 203-753-1113 customerservice@porterpreston.com www.porterpreston.com

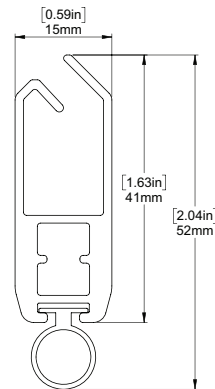


## SCHEMATIC

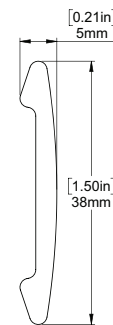


## BOTTOM RAIL OPTIONS

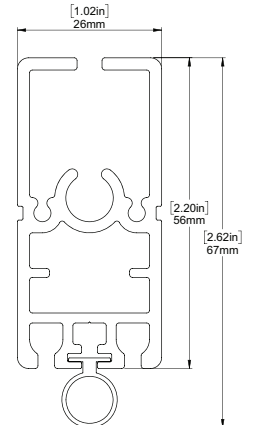
**F4115 HEM BAR**



**INTERNAL HEM BAR**

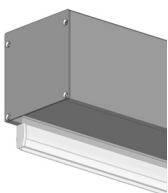


**F56 HD HEM BAR**



## SYSTEM UPGRADES

**5" Pocket**  
[for hidden recess mounts]



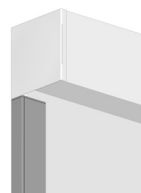
**Edge Side Channels**  
[for improved light blockout]



**Internal Wire Guide**  
[supporting complex shading systems]



**Zipscreen Locking Side Guide**  
[supporting complex shading systems]



**Fabric Spline System**  
[secure attachment of fabric on a roller shade]



For more information about our Upgrade solutions, see our UPGRADE SPECIFICATION sheets.