

CONTRACT SERIES TWO

Medium Fascia Roller Shade

Line Voltage 120V AC Motorized Control



The precision engineered Rollease Acmeda Contract Series Two Medium Fascia system is a durable and robust combination of form and function in a sleek package. The CS2 Medium Fascia system utilizes our P95 Fascia and has the ability to be a “reverse roll fascia”, enabling you to be able to maneuver the shade forward to avoid window and door hardware when necessary. Also, it can be a “fabric covered valance fascia”, enhancing the design of the of the space. This precision engineered system, integrates a powerful, yet quiet motor, directly in the tubing of the roller which is powered through plug in transformer or hardwired by an EC with connector plug. With a max width of 120" (based on a 120" drop) up to 92 sq.ft. before linking options. Featuring minimal light gaps, this properly balanced precision system will last a lifetime with reduce service calls /issues. Significantly heavier and impressive shading systems require precision engineered, heavy duty hardware, that can support multiples of its own weight.

Features:

- With a max width of 110" (based on a 120" drop) up to 92 SqFt. before linking options.
- Linking options include in-line, angled up to 45° and up to 90° coupling.
- Industry leading narrowest equal light gap of 1/2" per side.
- Automate line of line voltage (120V AC) motors from 6Nm to 50Nm for large applications with ultra-quiet operation and ARC bi-directional communication.
- Self-locating installation feature with 10mm idler extension (1mm increments)
- Fabric Spline feature provides positive attachment of fabric to tube.
- Accepts standard and reverse roll applications



Match this solution with high performance fabrics for a complete window solution. See our document library for comprehensive information including HPD, LEED & NRC specifications.

MOTOR OPTIONS

Automate Wall Switches

[Hand held or wall mounts]



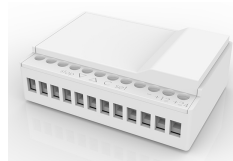
Automate ARC Repeater

[Extends the ARC signal]



ARC Relay Module

[Smart System Interface]



Automate Pulse Hub

[Smart Phone Control]



FINISH COLORS



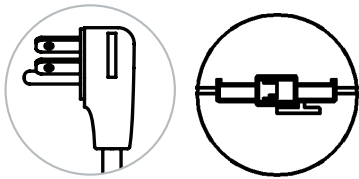
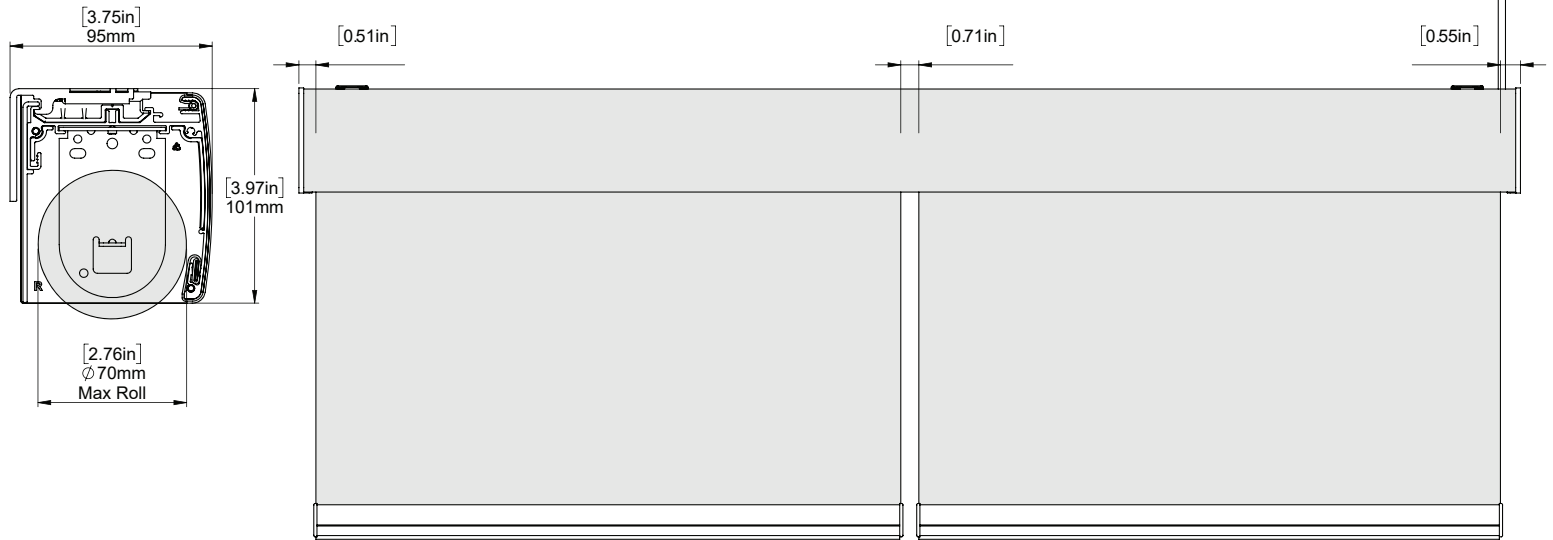
FRONT & SIDE VIEW



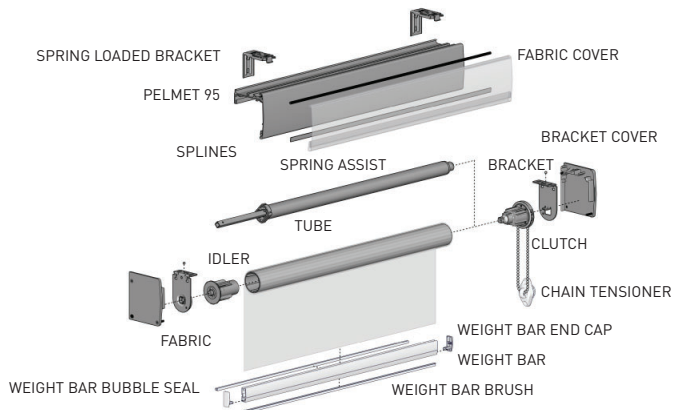
Quality Wholesale Window Coverings

Contract • Hospitality • Healthcare • Residential

ph 203-753-1113 customerservice@porterpreston.com www.porterpreston.com

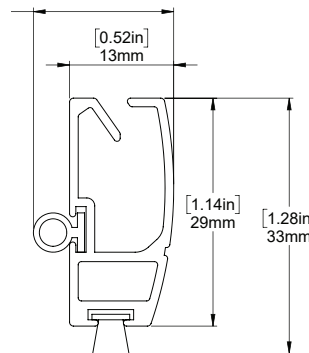


SCHEMATIC

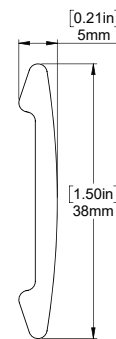


BOTTOM RAIL OPTIONS

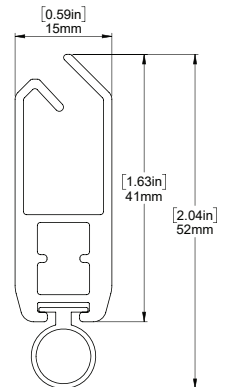
D30 SILENT WEIGHT BAR



INTERNAL HEM BAR



F4115 HEM BAR



SYSTEM UPGRADES

5" Pocket

[for hidden recess mounts]



L & I Clips

[for hidden recess mounts]



Edge Side Channels

[for improved light blackout]



Internal Wire Guide

[supporting complex shading systems]



Fabric Spline System

[secure attachment of fabric on a roller shade]



For more information about our Upgrade solutions, see our UPGRADE SPECIFICATION sheets.